



**AKTIVATECH**

Version I

# Applied Computing Platforms Service

● *Quality* ● *Profession* ● *Service* ● *Integration*



- > Industrial Panel PC
- > Embedded System
- > Industrial Monitor
- > LCD Monitor Console
- > Rackmount Panel

[www.aktivattech.com](http://www.aktivattech.com)

# Keep your systems totally away from water, oil, dust and foul environments



**15" Panel PC : AT-T115**  
**Multiple I/O Integration**  
**( USB, COM, VGA, LAN )**  
**IP65 Compliant**  
**Ultra Slim and Fanless Design**



**Embedded PC : AT-CEPM18**  
**Fanless, Zero Noise**  
**and Long Life Guaranteed**  
**Intel Pentium M /**  
**Celeron M Processors**

# ■ Contents



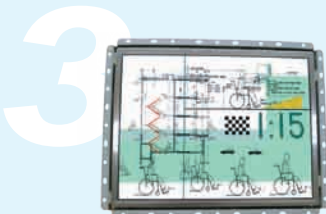
## **Industrial Panel PC**

- 8 TI Series
- 10 VA Series
- 13 MA Series
- 16 AR Series
- 19 TH Series



## **Embedded System**

- |              |              |
|--------------|--------------|
| 24 BO Series | 31 CT Series |
| 26 CE Series | 32 AE Series |
| 28 ZE Series | 34 ME Series |
| 29 PS Series | 36 AM Series |
| 30 VI Series |              |



## **Industrial Monitor**

- 38 Sunlight Readable Open Frame Monitor
- 43 Open Frame Monitor
- 57 Industrial TFT Panel Monitor
- 69 Panel Kits



## **LCD Monitor Console**

- 72 CB Series
- 74 CS Series
- 76 CD Series



## **Rackmount Panel**

- 80 RP Series



# About AKTIVATECH

AKTIVATECH concentrates on developing Applied Computing Platforms that provide system integrators and customers with reliable, time-to-market and cost-effective industrial PC, industrial Panel PC, Box PC, and Panel Kit solutions. For the past years, continuous leading product development and revenue growth have made AKTIVATECH a major Mission-Critical Applied Computing Platform Provider in the world. The in-house design of industrial computers and application platforms by AKTIVATECH has also been targeted to meet our customer needs for flexibility.

AKTIVATECH continual drive to improve efficiency, flexibility, and to assist customers, has helped set high standards. As a leading Mission-Critical Applied Computing Platform Provider, AKTIVATECH is devoted to producing state-of-the-art solutions that aid users in achieving their goals. This is just a starting point to greater services and more advanced products.



## Our Vocation

AKTIVATECH daily life is to develop the innovation Mission-Critical Applied Computing Platform for system integrators. AKTIVATECH's mission is to empower these innovations by offering trustworthy applied computing platform products and services. Applied computing platform refers to computing platforms with various applications in different industries. As AKTIVATECH offers not only standard computing platform products, but also value-added customization services, we consequently define AKTIVATECH as the innovator of Mission-Critical Applied Computing Platform Provider.

AKTIVATECH has been an innovator in the development and manufacturing of high-quality, high-performance computing platforms. It offers comprehensive system integration hardware, software, customer-centric design services, global logistics support and an industry-leading front and back office e-business infrastructure. With AKTIVATECH, there are no limits to the applications its products can offer.

## Thorough Customization Service

AKTIVATECH offers our customers constantly high quality, R&D innovation and high competence. If your demands are beyond our standard or require a tailored solution, AKTIVATECH offers you the possibility of a partially of fully customized design. Our technical support staffs are comprised of experienced persons who are ready an able to your requests. This means that someone understands your situation, listens to your description, analyzes the problem an gets it resolved quickly.

We have been aware of the needs and requirements of the OEM/ODM business for decades, so we know about the problem of longevity. Be it a small project or a big full custom project, we always assigns a AKTIVATECH project manager for you. This is why we offer our OEM/ODM s a long-term delivery contact. We are able to meet our customers demand for high-speed production delivery.





# Pioneer of Eco-awareness

AKTIVATECH, a pioneer of Eco-awareness in Mission-Critical Applied Computing Platform, commits to environmental preservation, and comply with EU environmental regulation (RoHS). In order to fulfill this promise, AKTIVATECH is ready to comply with Directive of Restriction of Hazardous Substances by reducing the usage of hazardous substances during production, meanwhile to put our efforts on building up a better ecosystem for the next generation of human being.

AKTIVATECH constantly and actively takes steps toward come out our green policy. The most important issue is to reduce the lead (Pb), Mercury, Cadmium, Hexavalent Chromium (Cr6+), Polybrominated biphenyls (PBB), and Polybrominated diphenyl Ethers (PBDE). Though greening our product will increase the cost both in material and procedure, also we have to overhaul all of the testing (safety, reliability and so on).

Responsibility of environment preservation is what AKTIVATECH has to come on, otherwise, it will cost us human inconceivable costs to re-cover our environment that have been polluted. That's our commitment to the world; meanwhile we will head to a new page of our green policy - greener and less hazardous substances.



# Solution Forums

Information Technology (IT) and Computer-Added (CAx) systems have penetrated and influenced everybody's daily life. From Factory Automation (FA), Building Automation, Traffic Control, IT and CAx techniques are now adapting into excellent HMI (Human Machine Interface). AKTIVATECH has provided and kept developing high performance, reliable systems for all Mission-Critical Applied Computing applications. In order to fulfill all Mission-Critical Applied Computing application specific requirements, AKTIVATECH 's high performance grade systems are now ready to integrate into different kinds of Mission-Critical Applied Computing environments.

## Factory Automation

With the growing of labor shortage, requirements of increasing productivity and quality, computer-integrated manufacturing, and cost reducing, Factory Automation is a necessity for many factories such as food, chemical and livestock factories. AKTIVATECH 's industrial embedded computing, industrial panel computing and fanless touch panel computing help customers to build the factory automation systems successfully by delivering reliable and high performance solutions. The factory automation system includes three divisions: central control room, environmental monitoring system, and production line. With high computing capability, the industrial panel computing fulfills the function of processing mass data analysis and storage, production control, and more in the central control room. AKTIVATECH 's fanless touch panel computing fits in the environmental monitoring system to straitened status of temperature, humidity, oil, dust and smoke with easy-to-read on-screen illustrations.





## Traffic Control

AKTIVATECH delivers top-of-the-range embedded systems for traffic control. AKTIVATECH has specialized in embedded computing such as industrial panel computing, industrial embedded computing and fanless touch panel computing for critical applications in the traffic control field. The system consists of any subsystems: traffic video monitoring, traffic flow control, toll station gate control, remote facility monitoring and central control room.

## Building Automation

AKTIVATECH has successfully implemented the automation concept in building applications to help user achieve advanced building management systems with Mission-Critical Applied Computing applications. With security systems and facility management systems, AKTIVATECH easily integrate DDC systems and CCTV in one system. Based on AKTIVATECH 's industrial embedded computing, industrial panel computing and fanless touch panel computing, system integrators can provide remote monitoring capability anytime, anywhere.

## HMI (Human Machine Interface)

HMI standard systems or customer-specific solutions by AKTIVATECH are based on internationally recognized industry standards; allowing us to offer a broadly diversified portfolio of products and services. However specific your requirements-whether for automation, mechanical and systems engineering, machines or automated systems or even for applications in medical or safety technology- we supply you with semi- and full-customized systems for your control and visualization applications.





# Industrial Panel PC

---

>> **TI Series**  
Product Specification

>> **VA Series**  
Selection Guide  
Product Specification

>> **MA Series**  
Selection Guide  
Product Specification

>> **AR Series**  
Selection Guide  
Product Specification

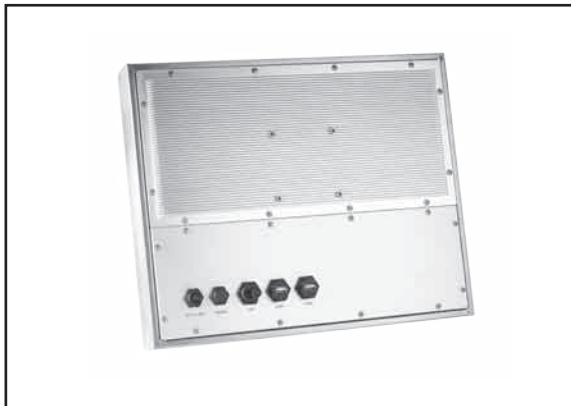
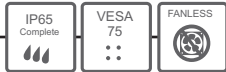
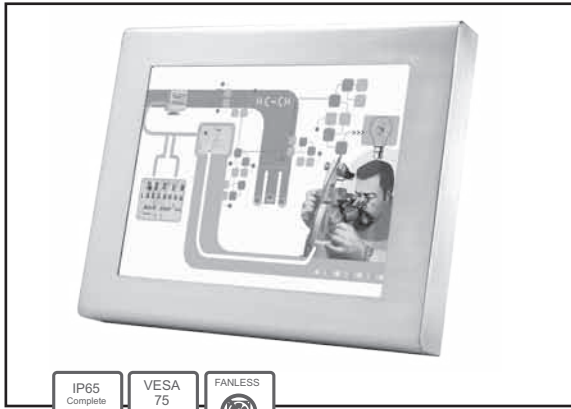
>> **TH Series**  
Selection Guide  
Product Specification



**Industrial Panel PC**

**TI Series**

**15"**



TI Series with totally IP65 is a fully functional computer system with support for CPUs from different classes (Celeron M 1.0 GHz to Pentium M 1.6 GHz) and resolution up to 1024 x 768 to meet the demands of today's high-end industrial software. TI Series is a rugged unit with an Ultra Slim panel, tempered glass 15" TFT LCD, a stainless steel structure and one MiniPCI slots. TI Series is rugged enough to handle the toughest industrial operating environments. With optional mounting accessories, from panels to racks, it can be mounted anywhere. There is also TI Series, which has a flat-sealed front panel for easier cleaning and liquid run-off, that is suitable for tough hygiene requirements in food & beverage manufacturing.

- ✓ Water Proof Solution
- ✓ 15" High Brightness TFT LCD
- ✓ DC 11~28V Input, RS-232 & RS-232/422/485 Support
- ✓ Mini-PCI Support
- ✓ Compact Flash Type-II Support
- ✓ PCMCIA Support (Optional)
- ✓ LVDS Support and space for 1 x 2.5" HDD
- ✓ Support VESA 75 mount

**ORDER INFORMATION**

AT-TI15CM10	15" Panel PC, Intel Celeron M 1.0 GHZ, Touchscreen, 512MB, 40GB
AT-TI15CM15	15" Panel PC, Intel Celeron M 1.5 GHZ, Touchscreen, 512MB, 40GB
AT-TI15PM16	15" Panel PC, Intel Pentium M 1.6 GHZ, Touchscreen 512MB, 40GB

**System Specifications**

CPU	Intel Celeron M 1GHz up to Pentium M 1.6GHz
Memory	200/266-pin DDR SO DIMM up to 1GB
Storage	Space for 1 x 2.5" HDD
I/O ports	1 x LAN, 1 x COM, 1 x USB 2.0, 1 x PS/2 keyboard & mouse
Expansion	MiniPCI slot x 1, optional PCMCIA
Fanless/Fan	Fanless
Touchscreen	Resistive

**Display Specifications**

LCD	15" XGA
Resolution	1024x768
Brightness	400 cd/m2
Backlight Lifetime	50,000hrs
Dimensions	399(W)x324(H)x63(D)mm

**Mechanical Specifications**

Construction	Stainless Steel enclosure
Power input	DC 11~28V
Operating Temperature	0~50 °C
Storage Temperature	-20~60 °C
Certifications	CE and FCC class A
Rating	NEMA 4/IP 65
Mounting	VESA 75



Industrial Panel PC

DRAWING

1 Industrial Panel PC

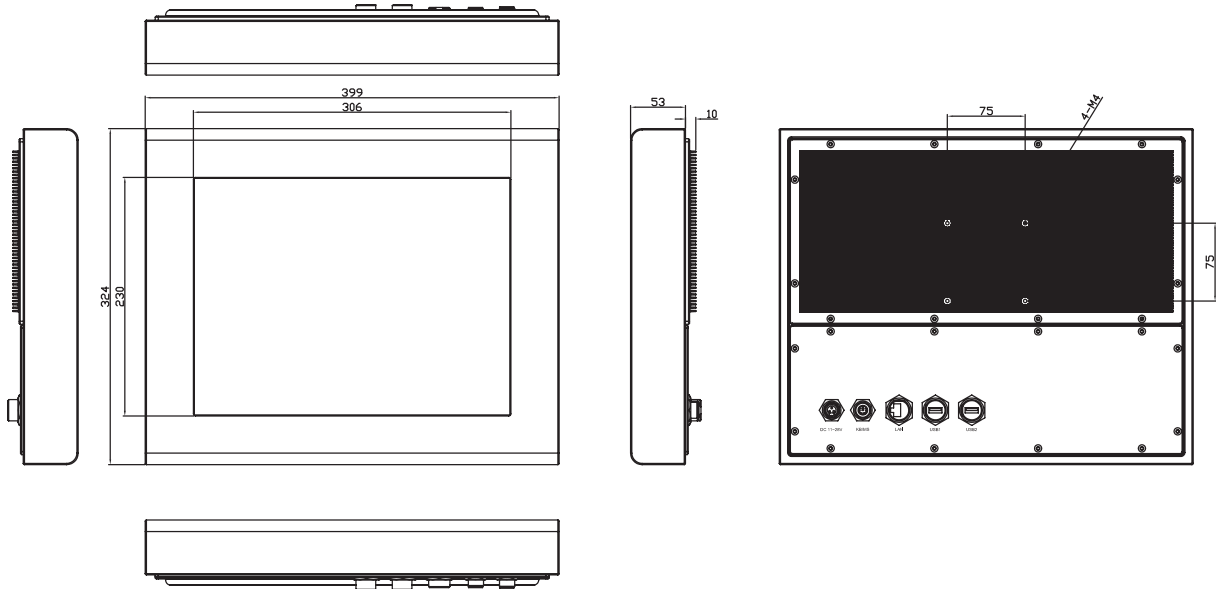
2 Embedded System

3 Industrial Monitor

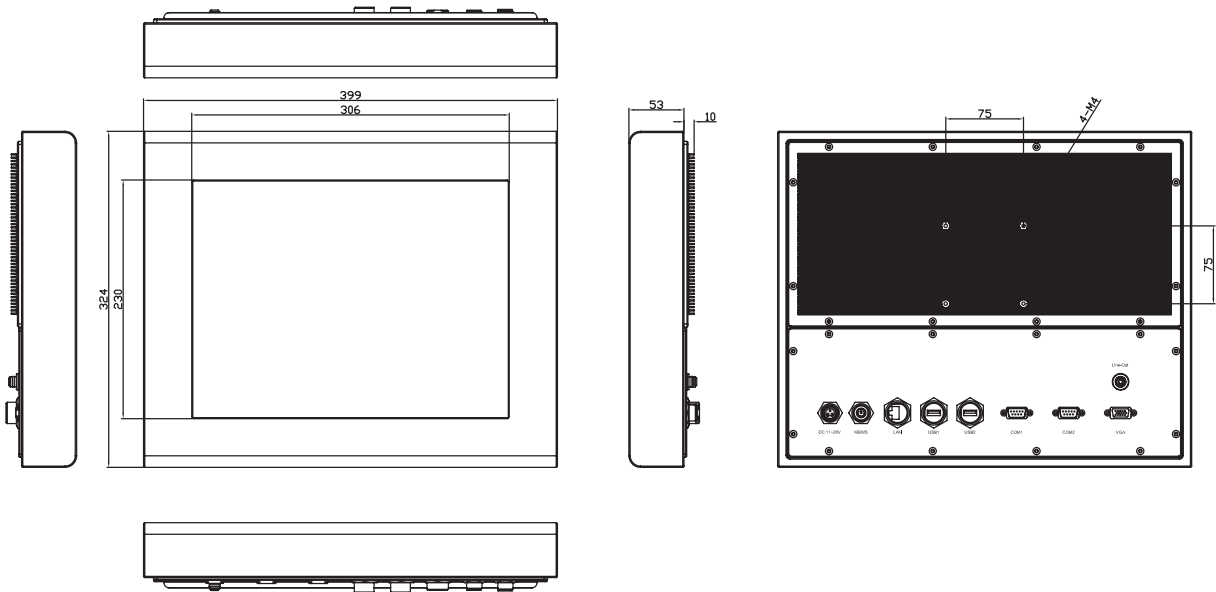
4 LCD Monitor Console

5 Rackmount Panel

Standard I/O



Option I/O



# Selection Guide

## VA Series

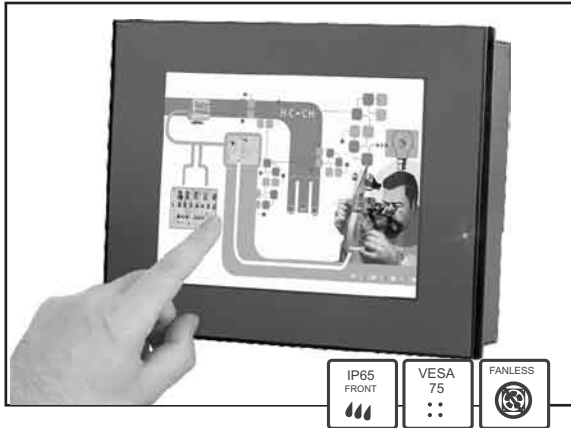


	AT-VA08CM10	AT-VA10CM10	AT-VA10CM15	AT-VA12CM10	AT-VA12CM15	AT-VA15CM10	AT-VA15CM15	AT-VA15PM18
<b>Specification</b>								
<b>System</b>								
CPU	Intel Celeron M 1G Hz	Intel Celeron M 1G Hz	Intel Celeron M 1.5GHz	Intel Celeron M 1GHz	Intel Celeron M 1.5GHz	Intel Celeron M 1G Hz	Intel Celeron M 1.5GHz	Intel Pentium M 1.8GHz
Memory	256MB SDRAM up to 1GB SDRAM							
Storage	Space for 2.5" HDD and 1 CF card slot							
Touch Screen	4-wire analog resistive type							
Fanless/Fan	Fanless							
I/O	2 x COM ports (COM1:RS-232, COM2:RS-232/422/485)							
Connectors	2 x USB 2.0							
	PS/2 port : 1 x keyboard , 1 x mouse							
	1 x LAN (10/100/1000 base - T)							
	1 x Audio Mic, Line-in, Line-out							
	VGA port, 1 x parallel port							
Dimensions	231(W)x75(D)x176(H)mm	317(W)x74(D)x243(H)mm				409(W)x82(D)x309(H)mm		
Power input	DC 11~28V					AC 100~240V		
<b>Display</b>								
LCD	8" SVGA 800x600	10.4" SVGA 800x600	12.1" SVGA 800x600			15" XGA 1024x768		
Brightness (cd/m2)	400	250	300			350		
Backlight	40,000hrs				50,000hrs			
<b>Environment</b>								
Operating	0° ~50°C							
Storage Temp	-20° ~60 °C							
Certifications	CE and FCC class A							
Rating	NEMA 4/IP 65 compliant front bezel							
Mounting	Panel Mount / VESA 75							



**Industrial Panel PC**

**VA Series**



- ✓ Supports Intel Celeron M 1GHZ up to Pentium M 1.8GHZ CPU
- ✓ NEMA 4 /IP65 compliant front
- ✓ Fanless Design
- ✓ Sealed 4-wire resistive touch screen
- ✓ Support VESA 75 mount panel
- ✓ AC 100~240V wide-range power input

Order Informaiton	
AT-VA08CM10	8" Panel PC, Intel Celeron M 1.0 GHZ, Touchscreen, 256MB, 40GB
AT-VA08CM10	8" Panel PC, Intel Celeron M 1.0 GHZ, Touchscreen, 512MB, 40GB
AT-VA10CM10	10.4" Panel PC, Intel Celeron M 1.0 GHZ, Touchscreen, 256MB, 40GB
AT-VA10CM10	10.4" Panel PC, Intel Celeron M 1.0 GHZ, Touchscreen, 512MB, 40GB
AT-VA10CM15	10.4" Panel PC, Intel Celeron M 1.5 GHZ, Touchscreen, 256MB, 40GB
AT-VA10CM15	10.4" Panel PC, Intel Celeron M 1.5 GHZ, Touchscreen, 512MB, 40GB
AT-VA12CM10	12.1" Panel PC, Intel Celeron M 1.0 GHZ, Touchscreen, 256MB, 40GB
AT-VA12CM10	12.1" Panel PC, Intel Celeron M 1.0 GHZ, Touchscreen, 512MB, 40GB
AT-VA12CM15	12.1" Panel PC, Intel Celeron M 1.5 GHZ, Touchscreen, 256MB, 40GB
AT-VA12CM15	12.1" Panel PC, Intel Celeron M 1.5 GHZ, Touchscreen, 512MB, 40GB
AT-VA15CM10	15" Panel PC, Intel Celeron M 1.0 GHZ, Touchscreen, 256MB, 40GB
AT-VA15CM10	15" Panel PC, Intel Celeron M 1.0 GHZ, Touchscreen, 512MB, 40GB
AT-VA15CM15	15" Panel PC, Intel Celeron M 1.5 GHZ, Touchscreen, 256MB, 40GB
AT-VA15CM15	15" Panel PC, Intel Celeron M 1.5 GHZ, Touchscreen, 512MB, 40GB
AT-VA15PM18	15" Panel PC, Intel Pentium M 1.5 GHZ, Touchscreen, 256MB, 40GB
AT-VA15PM18	15" Panel PC, Intel Pentium M 1.8 GHZ, Touchscreen, 512MB, 40GB
OPTIONS	
AT-VA-EX512	512MB RAM instead serial
AT-VA-EX1024	1GB RAM instead serial
AT-VA-EXHDD80	80GB HDD instead serial
AT-VA-EXCF4	4GB CF Card instead serial HDD
AT-VA-EXCF8	8GB CF Card instead serial HDD
AT-VA-EXOSXP-ML	Windows XP-Pro Multilingual, licence and setup
AT-VA-EXOSXPE-E	Windows XP Embedded, Engl., licence and setup, incl. programming

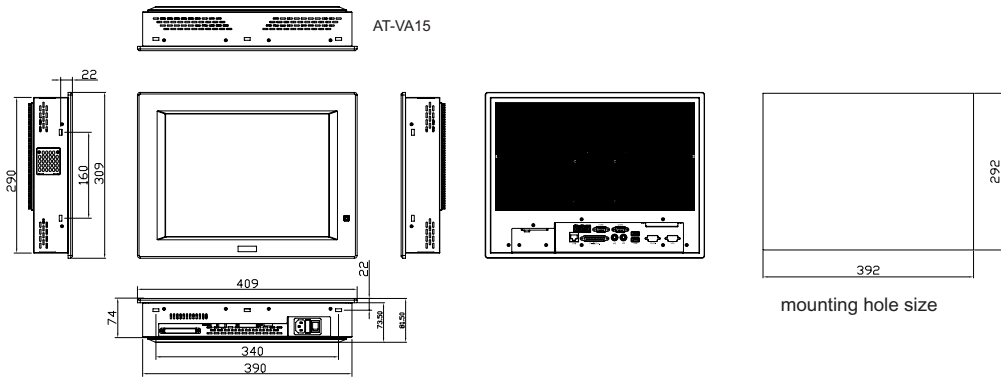
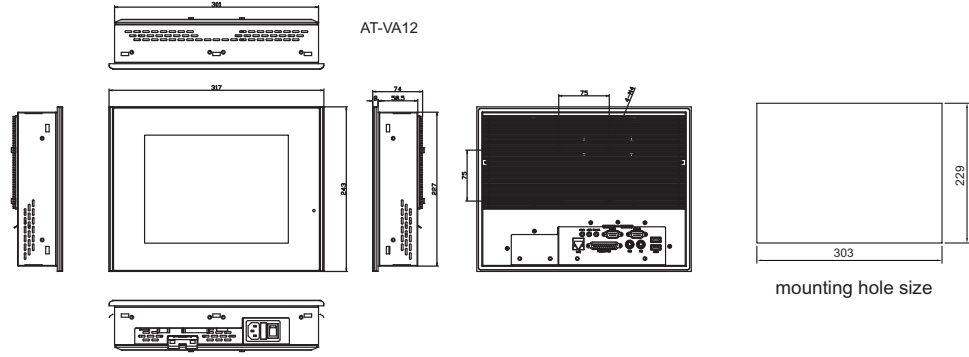
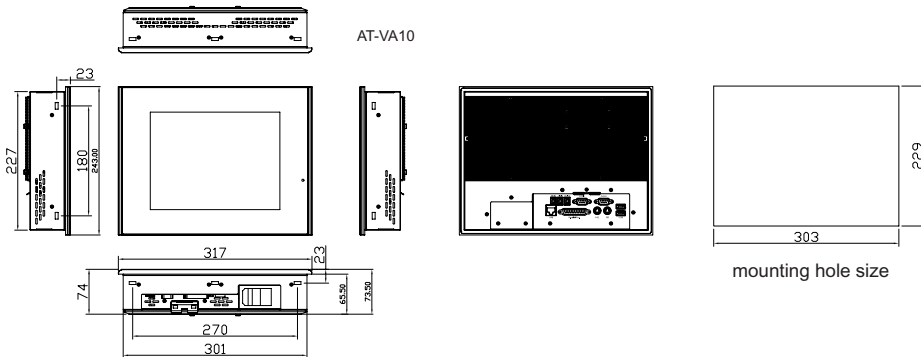
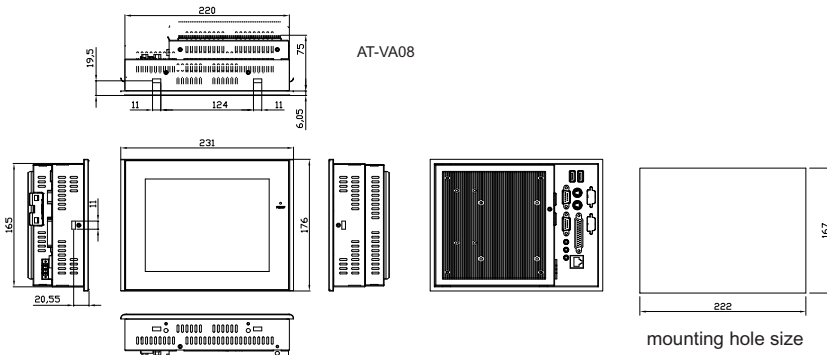
System	
CPU	Intel Celeron M 1.0GHz up to Pentium M 1.8GHz
Memory	256MB SDRAM up to 1GB SDRAM
Storage	Space for 2.5" HDD and 1 CF card slot
Touch Screen	4-wire analog resistive type
Fanless/Fan	Fanless
I/O Connectors	2 x COM ports (COM1:RS-232, COM2:RS-232/422/485) 2 x USB 2.0 PS/2 port : 1 x keyboard , 1 x mouse 1 x LAN (10/100/1000 base - T) 1 x Audio Mic, Line-in, Line-out VGA port, 1 x parallel port
Dimensions	231(W)x75(D)x176(H)mm (AT-VA08CM10) 317(W)x74(D)x243(H)mm (AT-VA10CM10, AT-VA10CM15, AT-VA12CM10, AT-VA12CM15) 409(W)x82(D)x309(H)mm (AT-VA15CM10, AT-VA15CM15, AT-VA15PM18)
Power input	DC 11~28V (8", 10.4", 12.1") AC 100~240V (15")
Display	
LCD	SVGA 800x600 (8", 10.4", 12.1") XGA 1024x768 (15")
Brightness	400cd/m <sup>2</sup> (8") 250cd/m <sup>2</sup> (10.4") 300cd/m <sup>2</sup> (12.1") 350cd/m <sup>2</sup> (15")
Backlight	40,000hrs (8", 10.4") 50,000hrs (12.1", 15")
Environment	
Operating Temp.	0° ~50°C
Storage Temp.	-20 ° ~60 °C
Certifications	CE and FCC class A
Rating	NEMA 4/IP 65 compliant front bezel
Mounting	Panel Mount / VESA 75
Vibration	1G / 5 ~ 500Hz (Random) / Operation
Shock	15G peak acceleration(11 msec. duration)/ Operation Rating NEMA 4/ IP 65 compliant front bezel

**1** Industrial Panel PC  
**2** Embedded System  
**3** Industrial Monitor  
**4** LCD Monitor Console  
**5** Rackmount Panel



**Industrial Panel PC**

**DRAWING**





# Selection Guide

## MA Series

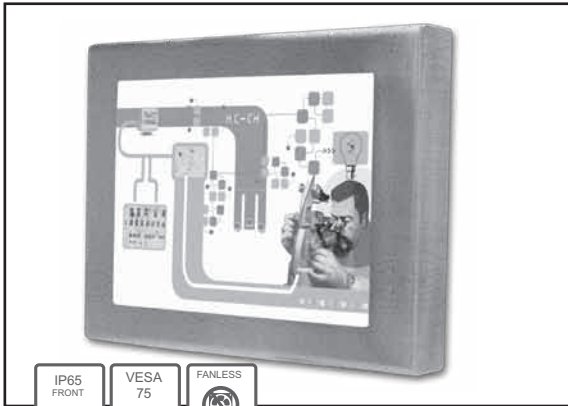


	AT-MA12 CM10	AT-MA12 CM15	AT-MA12 PM18	AT-MA15 CM10	AT-MA15 CM15	AT-MA15 PM18	AT-MA17 CM10	AT-MA17 CM15	AT-MA17 PM16
<b>Specification</b>									
<b>System</b>									
CPU	Intel Celeron M 1GHz	Intel Celeron M 1.5GHz	Intel Pentium M 1.8GHz	Intel Celeron M 1GHz	Intel Celeron M 1.5GHz	Intel Pentium M 1.8GHz	Intel Celeron M 1GHz	Intel Celeron M 1.5GHz	Intel Pentium M 1.6GHz
Memory	256M SDRAM up to 1GB DDR SDRAM								
Storage	Space for 1 x 2.5" HDD						Space for 1 x 2.5" HDD and 1 x CF socket or PCMCIA (optional)		
I/O Connectors	1 x COM port, 4 x USB 2.0			2 x COM ports, 4 x USB 2.0			2 x COM ports, 2 x USB 2.0		
	1 x PS/2 keyboard & mouse			1 x PS/2 keyboard & mouse			1 x PS/2 keyboard & mouse		
	1 x Audio Mic, Line-in, Line-out			1 x Audio Mic, Line-in, Line-out			1 x Line-out, 1 x VGA, 1 x LAN		
	1 x VGA, 1 x LAN			1 x VGA, 1 x LAN			1 x CF slot or optional PCMCIA		
Expansion	No Expansion slot						MiniPCI slot x 1, optional PCMCIA		
Touch Screen	Analog resistive (optional)								
Fanless / Fan	Fanless								
OS support	Microsoft XP Pro, XP Embedded, Win CE 4.2 / 5.0								
<b>Display</b>									
LCD	12.1" SVGA			15" XGA			17" SXGA		
Brightness (cd/m2)	300			400			300		
Resolution	800 x 600			1024 x 768			1280 x 1024		
Backlight	50,000 hrs								
Dimensions (WxHxD)	330x260x59mm			398x316x67mm			432x358x67.5mm		
<b>Mechanical</b>									
Construction	Stainless steel enclosure								
Power Supply	DC 11~28V								
Operating Temp.	0° ~50°C								
Storage Temp.	0° ~60°C						-20° ~60°C		
Certifications	CE and FCC class A								
Rating	NEMA 4/IP 65 compliant except I/O side								
Mounting	VESA 75								



**Industrial Panel PC**

**MA Series**



MA series is created in fanless, Ultra slim and sealed stainless steel complete systems. The sealed stainless design makes the application particularly suitable in a feculent environment. MA series is suitable for food processing and livestock industry to protect systems from rust.

- ✓ Ultra slim, sealed stainless steel enclosure
- ✓ Enhanced safety glass or optional resistive touch screen
- ✓ Supports Intel Celeron M 1GHz up to Pentium M 1.8GHz CPU
- ✓ Support wireless and Blue tooth
- ✓ IP 65 Compliant except I/O side
- ✓ Support VESA 75 mount
- ✓ Fanless and low-power consumption
- ✓ DC 11~28V wide-range power input

**SYSTEM**

CPU	Intel Celeron M 1.0GHz up to Pentium M 1.8GHz
Memory	256 MB SDRAM up to 1GB
Storage	(AT-MA12, AT-MA15) 2.5" HDD 40 GB (AT-MA17) 2.5" HDD 40 GB, 1 CF card slot or PCMCIA (optional)
Fanless/Fan	Fanless
BIOS	Award BIOS, ACPI supported
Serial Port	(AT-MA12) 1 x COM port (AT-MA15, ATMA17) 2 x COM port
Parallel Port	1 x LPT(SPP/EPP/CEP mode)
USB Port	(AT-MA12, AT-MA15) 4 x USB 2.0 (AT-MA17) 2 x USB 2.0
Keyboard / Mouse	1 x PS/2 keyboard & mouse
Audio	(AT-MA12, AT-MA15, AT-MA17) 1 x Audio Mic, Line-in, Line-out, 1 Line-in, Line-out
LAN	1 x 10/100/1000 Base-T
VGA & DVI	1 x VGA
Power input	DC 11-28V
OS ( optional )	Window XP, Windows 2000, Windows Embedded, Windows CE, Linux

**DISPLAY**

Resolution	(AT-MA12) SVGA 800x600, (AT-MA15) XGA 1024x768 (AT-MA17) XGA 1280x1024
Brightness	(AT-MA12, AT-MA17) 300 cd/m <sup>2</sup> , (AT-MA15) 400 cd/m <sup>2</sup> ,
Backlight	50.000 hrs.

**TOUCHSCREEN**

Type	4-wire analog resistive
------	-------------------------

**MECHANIC**

Construction	Stainless steel enclosure
Color	black / Customized colors also available
Mounting	VESA 75mm
Operating Temp.	0 - 50 °C, Storage Temp
Storage Temperature	-20 °C - 60 °C
Relative Humidity	10~90% @50 °C non-condensing
Vibration	1G / 5 ~ 500Hz (Random) / Operation
Shock	15G peak acceleration(11 msec. duration)/ Operation
Rating	NEMA 4/ IP 65 compliant front bezel

**DIMENSIONS / WEIGHT**

AT-MA12	330(W)x260(H)x59(D)mm
AT-MA15	398(W)x316(H)x67(D)mm
AT-MA17	432(W)x358(H)x67.5(D)mm

**CERTIFICATION**

CE and FCC class A
--------------------

**ORDER INFORMATION**

AT-MA12CM10	12.1" Panel PC, Intel Celeron M 1 GHZ, Touchscreen
AT-MA12CM15	12.1" Panel PC, Intel Celeron M 1.5 GHZ, Touchscreen
AT-MA12PM18	12.1" Panel PC, Intel Pentium M 1.8 GHZ, Touchscreen
AT-MA15CM10	15" Panel PC, Intel Celeron M 1 GHZ, Touchscreen
AT-MA15CM15	15" Panel PC, Intel Celeron M 1.5 GHZ, Touchscreen
AT-MA15PM18	15" Panel PC, Intel Pentium M 1.8 GHZ, Touchscreen
AT-MA17CM10	17" Panel PC, Intel Celeron M 1 GHZ, Touchscreen
AT-MA17CM15	17" Panel PC, Intel Celeron M 1.5 GHZ, Touchscreen
AT-MA17PM18	17" Panel PC, Intel Pentium M 1.8 GHZ, Touchscreen

**OPTIONS**

AT-MA-EX512	512MB RAM instead serial
AT-MA-EX1024	1GB RAM instead serial
AT-MA-EXHDD80	80GB HDD instead serial
AT-MA-EXCF4	4GB CF Card instead serial HDD
AT-MA-EXCF8	8GB CF Card instead serial HDD
AT-MA-EXOSXPE-ML	Windows XP-Pro Multilingual, licence and setup
AT-MA-EXOSXPE-E	Windows XP Embedded, Engl., licence and setup, incl. programming

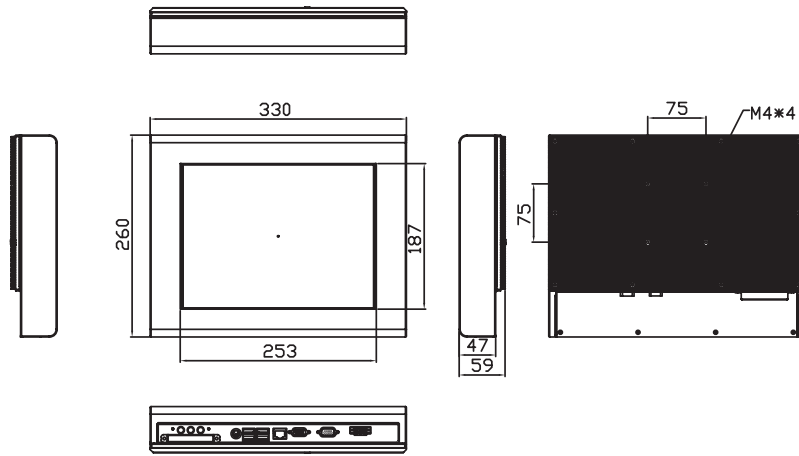




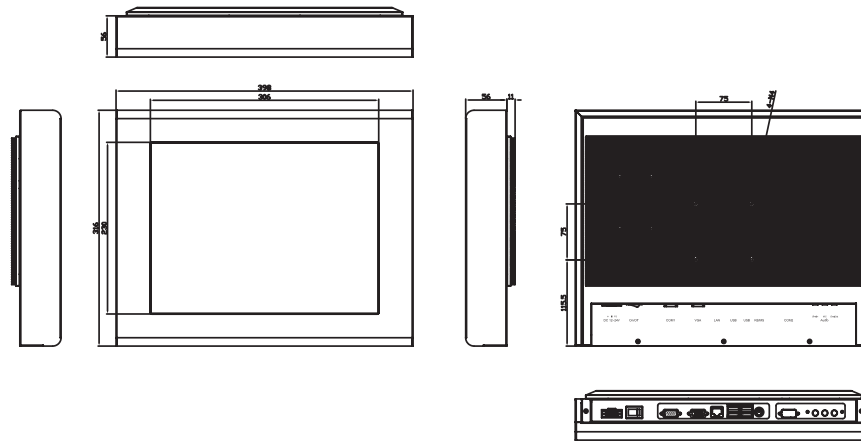
**Industrial Panel PC**

**DRAWING**

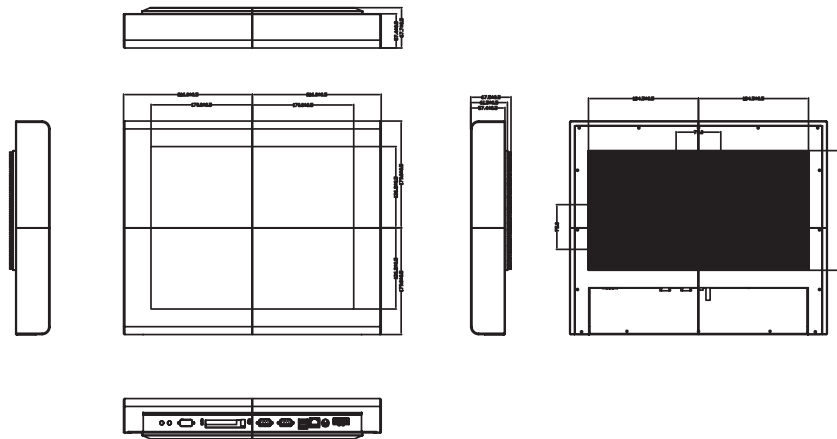
AT-MA12



AT-MA15



AT-MA17



**1**  
Industrial Panel PC

**2**  
Embedded System

**3**  
Industrial Monitor

**4**  
LCD Monitor Console

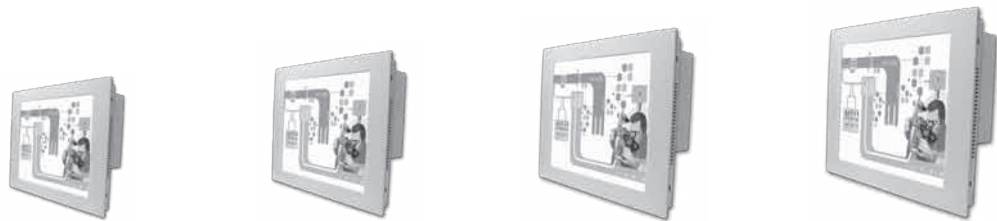
**5**  
Rackmount Panel



Industrial Panel PC

# Selection Guide

## AR Series

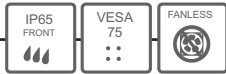
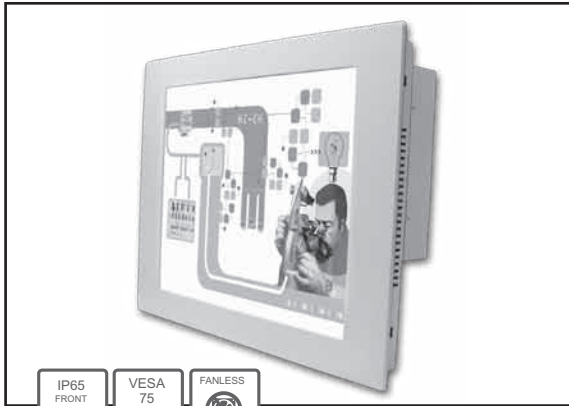


	AT-AR12CM15	AT-AR12PM18	AT-AR15CM15	AT-AR15PM18	AT-AR17CM15	AT-AR17PM18	AT-AR19CM15	AT-AR19PM18
<b>Specification</b>								
<b>System</b>								
CPU	Intel Celeron M 1.5GHz	Intel Pentium M 1.8GHz	Intel Celeron M 1.5GHz	Intel Pentium M 1.8GHz	Intel Celeron M 1.5GHz	Intel Pentium M 1.8GHz	Intel Celeron M 1.5GHz	Intel Pentium M 1.8GHz
Memory	256M SDRAM up to 1GB DDR SDRAM							
Storage	Space for 1x 2.5" HDD, 1x slim CD-ROM / DVD Combo and 1 x CF slot							
I/O	2 x COM ports, 4 x USB 2.0							
Connectors	1 x PS/2 keyboard & mouse							
	1 x Audio Mic, 1 x Line-in, 1 x Line-out, 1 x LAN							
	1 x parallel port, 1 x VGA, 1 x DVI							
Expansion	2 x PCI slots							
Touch Screen	Resistive							
Fanless / Fan	Fanless							
<b>Display</b>								
LCD	12.1" SVGA		15" XGA		17" SXGA		19" SXGA	
Brightness (cd/m <sup>2</sup> )	300		400		300			
Resolution	800 x 600		1024 x 768		1280 x 1024			
Backlight	50,000hrs							
Dimensions (WxHxD)	390(W)x265(H)x127(D)mm		410(W)x310(H)x127(D)mm		457(W)x355(H)x133(D)mm		484(W)x400(H)x139.3(D)mm	
<b>Mechanical</b>								
Construction	Heavy-duty steel chassis, Stainless Steel front bezel (optional for 15"/17"/19")							
Power Supply	DC 11~28V							
Operating Temp.	0~50°C							
Storage Temp.	0~60°C							
Certifications	CE and FCC class A							
Rating	NEMA 4/IP 65 compliant front bezel							
Mounting	Panel mount							



**Industrial Panel PC**

**AR Series**



AR series is designed in a fanless, rugged and compact panel-mount industrial PC for adverse circumstances and different environments. Based on fanless design, AR series can reduce power consumption in low power environment. In addition, panel-mount design can protect systems from dust and water in the front.

- ✓ Fanless design Celeron M 1.5GHz up to Pentium M 1.8GHz CPU
- ✓ NEMA 4/IP 65 compliant front bezel
- ✓ Resistive touch screen
- ✓ 2 x PCI expansion slots
- ✓ Space for one 2.5" HDD ,one slim CD-ROM /DVD
- ✓ Combo and one CF slot
- ✓ Optional stainless steel front bezel
- ✓ Support Panel mount
- ✓ DC 11~28V wide-range power input

**SYSTEM**

CPU	Intel Celeron M 1.5GHz up to Pentium M 1.8GHz
Memory	256 MB SDRAM up to 1GB
Storage	2.5" HDD 40 GB, slim CD-ROM / DVD Combo (optional) and CF slot
BIOS	Award BIOS, ACPI supported
Serial Port	2 x COM port, RS-232, RS-422, RS-485
Parallel Port	1 x SPP/EPP/ECP mode
USB Port	4 x USB 2.0
Keyboard / Mouse	1 x PS/2 keyboard & mouse
Audio	1 x Audio Mic, Line-in, Line-out
LAN	1 x 10/100/1000 Base-T
VGA & DVI	1 x VGA
Power input	DC 11-28V
OS ( optional )	Window XP, Windows 2000, Windows Embedded, Windows CE, Linux
Fanless/Fan	Fanless

**DISPLAY**

Resolution	(AT-AR12) SVGA 800x600, (AT-AR15) XGA 1024x768 (AT-AR17) SXGA 1280x1024 (AT-AR19) SXGA 1280x1024
Brightness	(AT-AR12, AT-AR17, AT-AR19) 300 cd/m <sup>2</sup> , (AT-AR15) 400 cd/m <sup>2</sup> ,
Backlight	50.000 hrs.

**TOUCHSCREEN**

Type	4-wire analog resistive
------	-------------------------

**MECHANIC**

Construction	Heavy-duty steel chassis, Stainless Steel front bezel (optional for 15"/17"/19")
Color	White/Customized colors also available
Mounting	Panel mount
Operating Temp.	0 - 50 °C, Storage Temp
Storage Temperature	0 °C - 60 °C
Relative Humidity	10~90% (non-condensing)
Vibration	1G / 5 ~ 500Hz (Random) / Operation
Shock	15G peak acceleration(11 msec. duration)/ Operation

**DIMENSIONS / WEIGTH**

AT-AR12	330(W)x265(H)x127(D)mm
AT-AR15	410(W)x310(H)x127(D)mm
AT-AR17	457(W)x355(H)x133(D)mm
AT-AR19	484(W)x400(H)x139.3(D)mm

**CERTIFICATION**

CE and FCC class A
--------------------

**ORDER INFORMATION**

AT-AR12CM15	12.1" Panel PC, Intel Celeron M 1.5 GHZ, Touchscreen
AT-AR12PM18	12.1" Panel PC, Intel Pentium M 1.8 GHZ, Touchscreen
AT-AR15CM15	15" Panel PC, Intel Celeron M 1.5 GHZ, Touchscreen
AT-AR15PM18	15" Panel PC, Intel Pentium M 1.8 GHZ, Touchscreen
AT-AR17CM15	17" Panel PC, Intel Celeron M 1.5 GHZ, Touchscreen
AT-AR17PM18	17" Panel PC, Intel Pentium M 1.8 GHZ, Touchscreen
AT-AR19CM15	19" Panel PC, Intel Celeron M 1.5 GHZ, Touchscreen
AT-AR19PM18	19" Panel PC, Intel Pentium M 1.8 GHZ, Touchscreen

**OPTIONS**

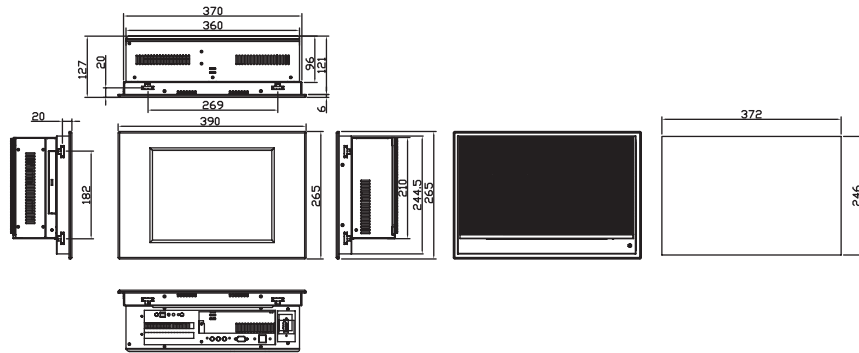
AT-AR-EX512	512MB RAM instead serial
AT-AR-EX1024	1GB RAM instead serial
AT-AR-EXHDD80	80GB HDD instead serial
AT-AR-EXCF4	4GB CF Card instead serial HDD
AT-AR-EXCF8	8GB CF Card instead serial HDD
AT-AR-EXOSXP-ML	Windows XP-Pro Multilingual, licence and setup
AT-AR-EXOSXPE-E	Windows XP Embedded, Engl., licence and setup, incl. programming



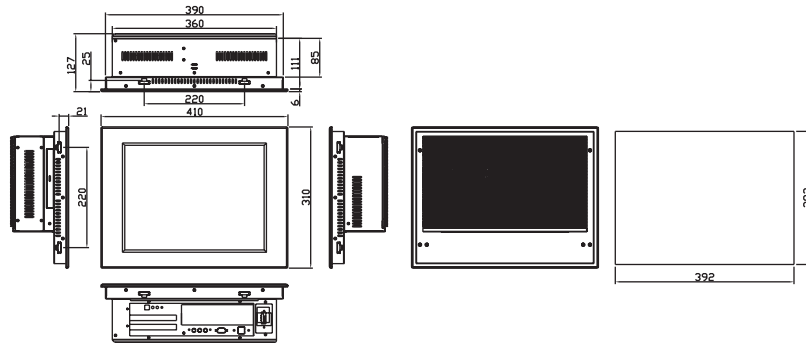
**Industrial Panel PC**

**DRAWING**

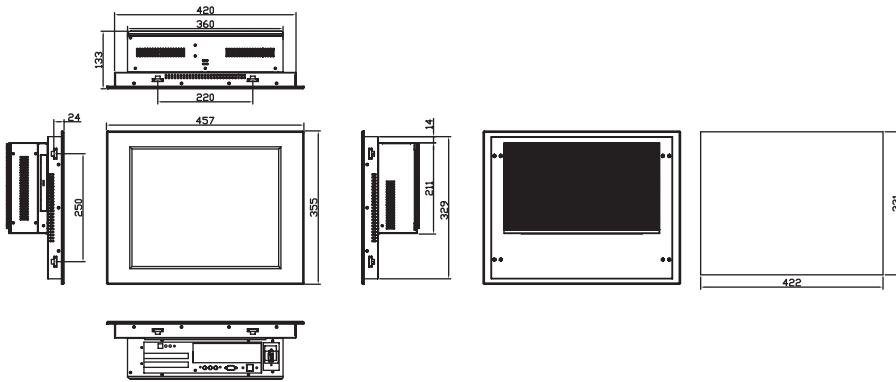
AT-AR12



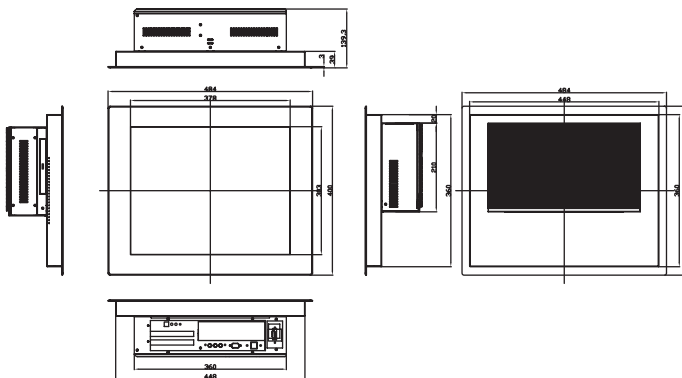
AT-AR15



AT-AR17

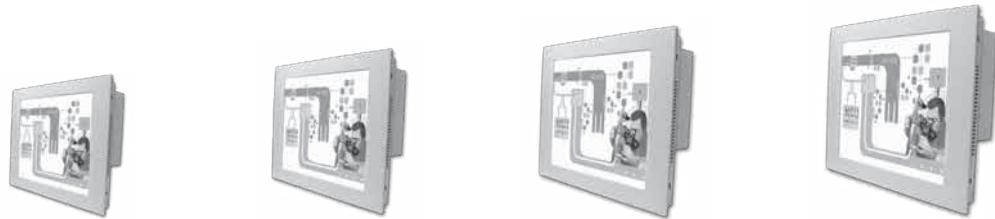


AT-AR19



# Selection Guide

## TH Series

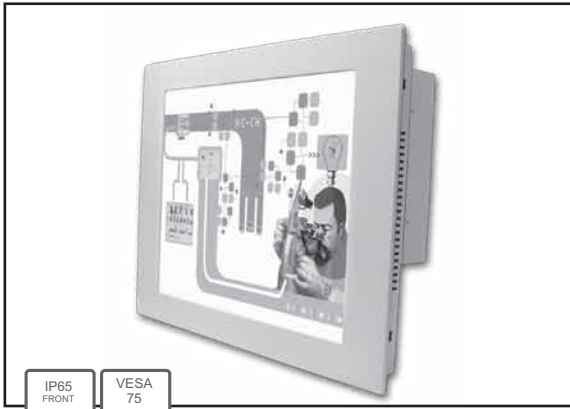


	AT-TH12CM15	AT-TH12PM18	AT-TH15CM15	AT-TH15PM18	AT-TH17CM15	AT-TH17PM18	AT-TH19CM15	AT-TH19PM18
<b>Specification</b>								
<b>System</b>								
CPU	Intel Celeron M 1.5GHz	Intel Pentium M 1.8GHz	Intel Celeron M 1.5GHz	Intel Pentium M 1.8GHz	Intel Celeron M 1.5GHz	Intel Pentium M 1.8GHz	Intel Celeron M 1.5GHz	Intel Pentium M 1.8GHz
DRAM	256M SDRAM up to 1GB DDR SDRAM							
Storage	Space for 1x 2.5" HDD, 1x slim CD-ROM / DVD Combo and 1 x CF slot							
Fanless/Fan	Fan							
I/O Connectors	2 x COM ports, 4 x USB 2.0 1 x PS/2 keyboard & mouse 1 x Line-in, 1 x Line-out, 1 x Audio Mic ,1 x LAN 1 x parallel port, 1 x VGA, 1 x DVI							
Expansion	2 x PCI slots							
Touch Screen	Resistive (optional)							
<b>Display</b>								
LCD	12.1" SVGA		15" XGA		17" SXGA		19" SXGA	
Brightness (cd/m2)	300		400				300	
Resolution	800 x 600		1024 x 768				1280 x 1024	
Backlight	50,000hrs							
Dimensions (WxHxD)	390(W)x265(H)x117(D)mm		410(W)x310(H)x117(D)mm		457(W)x355(H)x123(D)mm		484(W)x400(H)x139.3(D)mm	
<b>Mechanical</b>								
Construction	Heavy-duty steel chassis, Stainless Steel front bezel (optional for 15"/17"/19")							
Power Supply	DC 11~28V							
Operating Temp.	0° ~50°C							
Storage Temp.	0° ~60°C							
Certifications	CE and FCC class A							
Rating	NEMA 4/IP 65 compliant front bezel							
Mounting	Panel mount							



**Industrial Panel PC**

**TH Series**



TH series is a rugged, compact and panel-mount industrial PC, which comes with a 12" / 15" / 17" / 19" TFT LCD. It is ideal for use as a PC-based controller for Automotive, Logistic Process, Materials Handling, and Kiosk applications. It is powered by an Intel Celeron M 1.5GHz up to Pentium M 1.8GHz processor. The industrial panel PC also features two PCI expansion slots, two COM ports, six USB 2.0 ports, one 2.5" HDD, one slim CD-ROM/DVD Combo, Universal AC power of 90~240V, etc.

- ✓ Celeron M 1.5GHz up to Pentium M 1.8GHz CPU
- ✓ NEMA 4/IP 65 compliant front bezel
- ✓ Resistive touch screen
- ✓ 2 x PCI expansion slots
- ✓ Space for one 2.5" HDD ,one slim CD-ROM /DVD (Optional)
- ✓ Combo and one CF slot
- ✓ Optional stainless steel front bezel
- ✓ Support Panel mount
- ✓ DC 11~28V wide-range power input

**SYSTEM**

CPU	Intel Celeron M 1.5GHz up to Pentium M 1.8GHz
Memory	256 MB SDRAM up to 1GB
Storage	2.5" HDD 40 GB, slim CD-ROM / DVD Combo (optional) and CF slot
Fanless/Fan	Fan
BIOS	Award BIOS, ACPI supported
Serial Port	2 x COM port, RS-232, RS-422, RS-485
Parallel Port	1 x LPT(SPP/EPP/ECP mode)
USB Port	4 x USB 2.0
Keyboard / Mouse	1 x PS/2 keyboard & mouse
Audio	1 x Audio Mic, Line-in, Line-out
LAN	1 x 10/100/1000 Base-T
VGA & DVI	1 x VGA
Power input	DC 11-28V
OS ( optional )	Window XP, Windows 2000, Windows Embedded, Windows CE, Linux

**DISPLAY**

Resolution	(AT-TH12) SVGA 800x600, (AT-TH15) XGA 1024x768 (AT-TH17) SXGA 1280x1024
Brightness	(AT-TH12, AT-TH17) 300 cd/m <sup>2</sup> , (AT-TH15) 400 cd/m <sup>2</sup>
Backlight	50.000 hrs.

**TOUCHSCREEN**

Type	4-wire analog resistive
------	-------------------------

**MECHANIC**

Construction	Heavy-duty steel chassis, Stainless Steel front bezel (optional for 15"/17"/19")
Color	White/Customized colors also available
Mounting	Panel mount
Operating Temp.	0 - 50 °C, Storage Temp
Storage Temperature	0 °C - 60 °C
Relative Humidity	10~90% (non-condensing)
Vibration	1G / 5 ~ 500Hz (Random) / Operation
Shock	15G peak acceleration(11 msec. duration)/operation

**DIMENSIONS / WEIGHT**

AT-TH12	390(W)x265(H)x117(D)mm
AT-TH15	410(W)x310(H)x117(D)mm
AT-TH17	457(W)x355(H)x123(D)mm
AT-TH19	484(W)x400(H)x139.3(D)mm

**CERTIFICATION**

CE and FCC class A

**ORDER INFORMATION**

AT-TH12CM15	12.1" Panel PC, Intel Celeron M 1.5 GHZ, Touchscreen
AT-TH12PM18	12.1" Panel PC, Intel Pentium M 1.8 GHZ, Touchscreen
AT-TH15CM15	15" Panel PC, Intel Celeron M 1.5 GHZ, Touchscreen
AT-TH15PM18	15" Panel PC, Intel Pentium M 1.8 GHZ, Touchscreen
AT-TH17CM15	17" Panel PC, Intel Celeron M 1.5 GHZ, Touchscreen
AT-TH17PM18	17" Panel PC, Intel Pentium M 1.8 GHZ, Touchscreen
AT-TH19CM15	19" Panel PC, Intel Celeron M 1.5 GHZ, Touchscreen
AT-TH19PM18	19" Panel PC, Intel Pentium M 1.8 GHZ, Touchscreen

**OPTIONS**

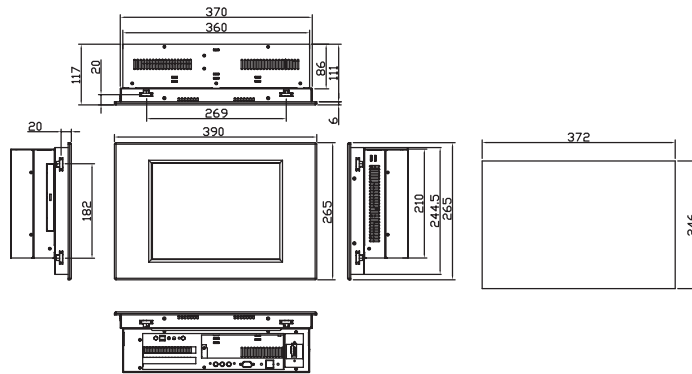
AT-TH-EX512	512MB RAM instead serial
AT-TH-EX1024	1GB RAM instead serial
AT-TH-EXHDD80	80GB HDD instead serial
AT-TH-EXCF4	4GB CF Card instead serial HDD
AT-TH-EXCF8	8GB CF Card instead serial HDD
AT-TH-EXOSXP-MM	Windows XP-Pro Multilingual, licence and setup
AT-TH-EXOSXPE-E	Windows XP Embedded, Engl., licence and setup, incl. programming



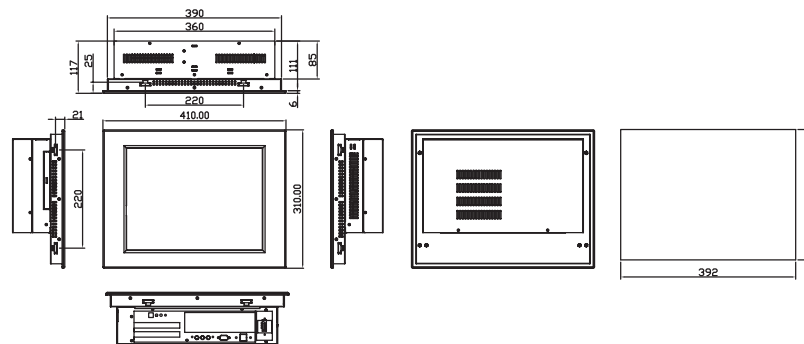
**Industrial Panel PC**

**DRAWING**

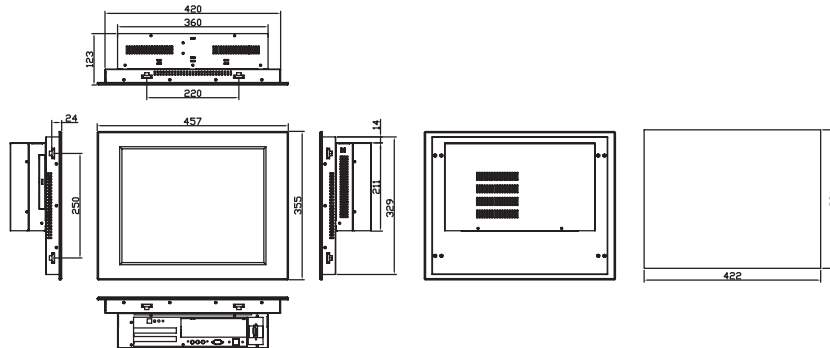
AT-TH12



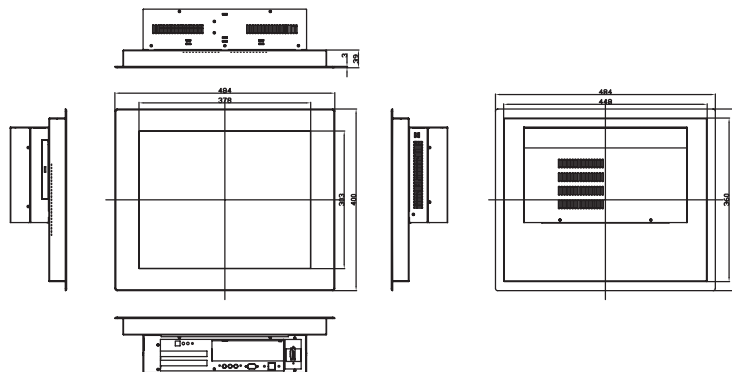
AT-TH15



AT-TH17



AT-TH19



**1** Industrial Panel PC

**2** Embedded System


**3** Industrial Monitor

**4** LCD Monitor Console

**5** Rackmount Panel







# Embedded System

---

>> BO Series  
Selection Guide  
Product Specification

>> CE Series  
Selection Guide  
Product Specification

>> ZE Series  
Product Specification

>> PS Series  
Product Specification

>> VI Series  
Product Specification

>> CT Series  
Product Specification

>> AE Series  
Selection Guide  
Product Specification

>> ME Series  
Selection Guide  
Product Specification

>> AM Series  
Product Specification



# Selection Guide

## BO Series



	AT-BOCM10	AT-BOCM15	AT-BOPM18
<b>Specification</b>			
<b>System</b>			
CPU	Intel Celeron M 1.0 GHZ CPU	Intel Celeron M 1.5 GHZ CPU	Intel Pentium M 1.8 GHZ CPU
Chipset	Intel 852GM+ICH4		
Memory	1x DDR266 SO-DIMM SDRAM Max 1GB	1x DDR266 SDRAM Max 1GB	
Fanless/Fan	Fanless cooling system		
Watchdog Timer	Generates system reset; 256 levels		
Power Supply	DC 11~28V wide-range power input		
Operation System	Windows XP, XP Embedded, Windows CE and Linux		
HDD	Space for 1 x 2.5" anti-vibration slim HDD (optional CF only)		
<b>I/O Ports</b>			
USB	2 x USB 2.0		
Keyboard/Mouse	1 x PS/2 ports for keyboard and mouse		
LAN	1 x 10/100 Mbps LAN (RJ45)		
Audio	1xAudio Mic, Line-in, Line-out		
Serial Ports	3 x COM Ports	1 x RS-232, 1 x RS-232/422/485	
Parallel Port	1 x SPP/EPP/ECP mode (optional)		
Graphic Port	VGA	DVI + VGA	



**Embedded System**

**BO Series**

Pentium M
Celeron M
Heat Pipe
Fanless

2 USB
3 COM
LAN
VGA



- ✓ Fanless design
- ✓ Intel socket Pentium M & Celeron M processors
- ✓ Intel 852GM + ICH4 chipset
- ✓ 1 x 2.5" anti-Vibration slim HDD (optional CF only)
- ✓ Standalone with wall-mount kit support
- ✓ DC 11~28V wide-range power input

System	
CPU	Intel Pentium M & Celeron M processors
Chipset	Intel 852GM+ICH4
Memory	1x DDR266 SO-DIMM SDRAM Max 1GB (AT-BOCM10) 1x DDR266 SDRAM Max 1GB (AT-BOCM15, AT-BOPM18)
Fanless/Fan	Fanless cooling system
Watchdog Timer	Generates system reset; 256 levels
Power Supply	DC 11~28V wide-range power input
Operation System	Windows XP, XP Embedded, Windows CE and Linux
Dimension (WxHxD)	221 x 73.7 x 229.5mm
Certificate	FCC / CE
HDD	Space for 1 x 2.5" anti-vibration slim HDD (optional CF only)

I/O Ports	
USB	2 x USB 2.0
Keyboard/Mouse	1 x PS/2 ports for keyboard and mouse
LAN	1 x 10/100 Mbps LAN (RJ45)
Audio	1 x Audio Mic, Line-in, Line-out
Serial Ports	3 x COM Ports (AT-BOCM10) 1 x RS-232, 1 x RS-232/422/485 (AT-BOCM15, AT-BOPM18)
Parallel Port	1 x LPT(SPP/EPP/ECP mode), optional
Graphic Port	VGA Intel 852GM + ICH4, DVI (AT-BOCM15, AT-BOCM18)

Mechanical Specifications	
Construction	Aluminum + Heavy-duty steel chassis
Mounting	Wall mount

Environment	
Operating Temp.	0°~60°C
Storage Tmp.	-20°~ 80°C
Humidity	20% ~ 90%

Ordering Information	
AT-BOCM10	Embedded PC, Intel Celeron M 1.0 GHZ, 256MB, 40GB
AT-BOCM15	Embedded PC, Intel Celeron M 1.5 GHZ, 256MB, 40GB
AT-BOPM18	Embedded PC, Intel Pentium M 1.8 GHZ, 256MB, 40GB
Option	
AT-BO-EX512	512MB RAM instead serial
AT-BO-EXLPT	LPT Port
AT-BO-EXCF4	CompactFlash 4GB instead serial
AT-BO-EXCF8	CompactFlash 8GB instead serial

1 Industrial Panel PC

2 Embedded System

3 Industrial Monitor

4 LCD Monitor Console

5 Rackmount Panel

# Selection Guide

## CE Series



	AT-CECM16	AT-CEPM18
<b>Specification</b>		
<b>System</b>		
CPU	Intel Celeron M 1.6 GHZ CPU	Intel Pentium M 1.8 GHZ CPU
Chipset	Intel 82852GM + ICH4	
Memory	1 x 184-pins DDR DIMM up to 1GB	
Fanless/Fan	Fanless cooling system	
Watchdog Timer	Generates system reset; 256 levels	
Power Supply	DC 11~28V wide-range power input	
Operation System	Windows XP, XP Embedded, Windows CE and Linux	
HDD	Space for 1 x 2.5" HDD, 1 x CF socket (optional)	
<b>I/O Ports</b>		
USB	4 x USB 2.0	
Keyboard/Mouse	1 x PS/2 ports for keyboard and mouse	
LAN	2 x 10/100 Mbps LAN (RJ45)	
Audio	Line-out, Mic	
Serial Ports	3 x RS-232 (COM1~2)	
Parallel Port	1 x LPT(SPP/EPP/ECP mode), optional	
Graphic Ports	1 x VGA Intel 852GM + ICH4	
Expansion	1 x PCI slot	



**Embedded System**

**CE Series**

Pentium M Celeron M Fanless

4 USB 3 COM 2 LAN PCI Audio VGA



- ✓ Fanless design
- ✓ Intel Pentium M & Celeron M processors
- ✓ Dual LAN, 3 x COM ports, 4 x USB ports
- ✓ Space for 2.5" slim type HDD and 1 CF card slot
- ✓ One PCI expansion slot
- ✓ DC 11~28V wide-range power input

System	
CPU	Intel Pentium M & Celeron M processors
Chipset	Intel 82852GM + ICH4
Memory	1 x 184-pins DDR DIMM up to 1GB
Fanless/Fan	Fanless cooling system
Watchdog Timer	Generates system reset; 256 levels
Power Supply	DC 11~28V wide-range power input
Operation System	Windows XP, XP Embedded, Windows CE and Linux
Dimension (WxHxD)	240 x 104 x 230mm
Certificate	FCC / CE
HDD	Space for 1 x 2.5" HDD, 1 x CF socket (optional)

I/O Ports	
USB	4 x USB 2.0
Keyboard/Mouse	1 x PS/2 ports for keyboard and mouse
LAN	2 x 10/100 Mbps LAN (RJ45)
Audio	Line-out, Mic
Serial Ports	3 x RS-232 (COM1~2)
Parallel Port	1 x LPT (SPP/EPP/ECP mode), optional
Graphic Port	1 x VGA Intel 852GM + ICH4
ExpAnsiion	1 x PCI slot

Mechanical Specifications	
Construction	Aluminum + Heavy-duty steel chassis
Mounting	Wall mount

Environment	
Operating Temp.	0°~60°C
Storage Tmp.	0°~ 80°C
Humidity	20% ~ 90%

Ordering Information	
AT-CECM16	Embedded PC, Intel Celeron M 1.6 GHZ, 256MB, 40GB
AT-CEPM18	Embedded PC, Intel Pentium M 1.8 GHZ, 256MB, 40GB
Option	
AT-CE-EX512	512MB RAM instead serial
AT-CE-EXLPT	LPT Port
AT-CE-CF4	CompactFlash 4GB instead serial
AT-CE-CF8	CompactFlash 8GB instead serial

1 Industrial Panel PC

2 Embedded System

3 Industrial Monitor

4 LCD Monitor Console

5 Rackmount Panel



**Embedded System**

**ZE Series**

Celeron M    Fanless

- SATA HDD
- 2 USB
- PCMCIA
- CF + Type II
- LAN
- 2 COM
- IEEE
- DVI
- VGA



- ✓ Celeron M ULV 1.0 GHz
- ✓ Intel 915GM+ICH6M support FSB 400/533MHz
- ✓ Truly Fanless Operation
- ✓ Dual/triple independent Display
- ✓ All-in-one Cable-less Design
- ✓ Powerful PCIe x1 Expansion Module

**System**

CPU	Celeron M ULV 1.0 GHz
Chipset	Intel 915GM+ICH6M support FSB
Memory	1x 200-pin DDR2/533 SO-DIMM, Max up to 1GB
Fanless/Fan	Fanless
Watchdog Timer	1~255 sec
Power Supply	16~36VDC, 100Watt
Power Adaptor	AC 100V~240V input, DC 24V 3-pin output(optional)
Operation System	Windows 2000 / XP / XP-E(SP2), Windows CE.NET 4.2/5.0
System Weight	2kg
Dimension (WxHxD)	216 x 85.3 x 170mm (with 3.5" HDD)
Certificate	CE /FCC
HDD	SATA 2.5" / 3.5" /uDOC

**I/O Ports**

USB	2 x USB 2.0 Type-A Connector
Keyboard/Mouse	1 x PS/2 ports for keyboard and mouse
PCMCIA	1 x PCMCIA cardbus slot
LAN	1 x 10/100/1000 Mbps LAN (RJ45)
CF	1 x CF type II slot. (IDE interface)
DVI	1 x DVI port. (resolution up to 1920x1200 60Hz max)
Graphic Port	1 x VGA
Audio	1 x Mic-in, SPK-out
Serial Ports	2 x COM ports
IEEE	1 x IEEE 1394a port

**Environment**

Operating Temp.	0°~45°C
Storage Temp.	-20°~ 60°C
Humidity	20% ~ 90%
Anti-Vibration	MIL-STD-810F
Anti-shock	50G,IEC60068-2-27,11ms duration

**Ordering Information**

AT-ZECM10	Embedded PC, Intel Celeron M 1.0 GHZ, 256MB DDR SD-RAM, 40GB HDD
-----------	--

**OPTIONS**

AT-ZE-EX512	512MB RAM instead serial
-------------	--------------------------

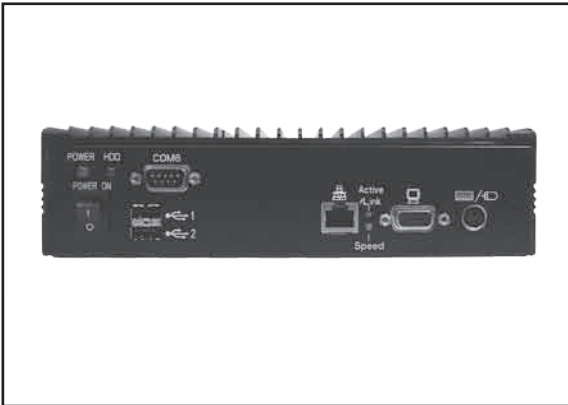


**Embedded System**

**PS Series**

Celeron M Fanless

2 USB LAN 6 COM VGA



- ✓ Intel Celeron M ULV 1.0GHz
- ✓ Intel 852GM + ICH4 Chipset
- ✓ RS422/485 port support max up to 4 ports
- ✓ RS485 auto flow control support
- ✓ RS232 port support
- ✓ Flash memory and WinCE driver support
- ✓ Fanless cooling system design for steady operation

System	
CPU	Intel Celeron M ULV 1.0GHz
Chipset	Intel 852GM + ICH4
Memory	1 x 200-pin DDR266 SO-DIMM (up to 1GB)
Fanless/Fan	Fanless
Watchdog Timer	1~255 sec
Power Supply	DC 24V, 90Watt
Power Adaptor	AC 100V ~ 240V input, DC 24V 3-pin (optional) Phoenix type output
Operation System	Windows2000 / XP / XPe / WinCE / Linux
System Weight	3kg
Dimension (WxHxD)	256 x 63.2 x 255mm
Certificate	FCC / CE
HDD	3.5" HDD, Max to 500GB

I/O Ports (Front side)	
USB	2 x USB 2.0
LAN	1 x 10/100 Mbps LAN (RJ45)
Serial Ports	4/6 x RS-232 or 2xRS-232 and 2/4 x RS-422/485 with DB-9 connectors Automatic RS-485 data flow control
Serial Ports Speed	RS-232: 50~115.2kbps, RS-422/485: 75~921.6kbps
Graphic Port	1 x VGA

Environment	
Operating Temp.	0°~40°C
Storage Temp.	-20°~ 60°C
Humidity	20% ~ 90%
Anti-Vibration	MIL-STD-810F
Anti-shock	50G,IEC60068-2-27,11ms duration

Ordering Information	
AT-PSCM10	Embedded PC, Intel Celeron M 1.0 GHZ, 256MB DDR SD-RAM, 40GB HDD
OPTIONS	
AT-PS-EX512	512MB RAM instead serial

1 Industrial Panel PC

2 Embedded System

3 Industrial Monitor

4 LCD Monitor Console

5 Rackmount Panel

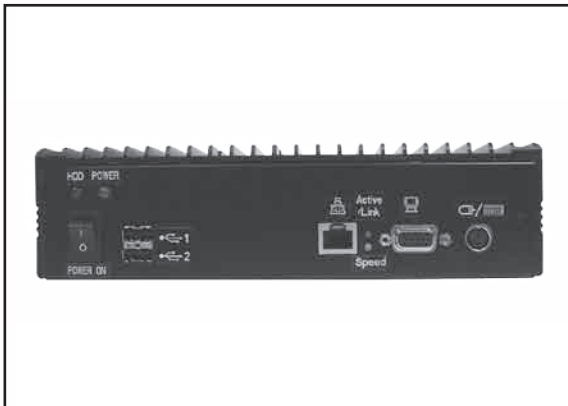


**Embedded System**

**VI Series**

Celeron M Fanless

2 USB 2 COM LAN Video VGA



- ✓ Intel Celeron M ULV 1.0GHz
- ✓ Intel 852GME+ICH4 Chipset Support
- ✓ 3.5 inch HDD storage capacity up to 500GB
- ✓ Fanless cooling system design for steady operation
- ✓ Support video capture channel max up to 16
- ✓ Vidio ± SDK support

System	
CPU	Intel Celeron M ULV 1.0GHz
Chipset	Intel 852GM + ICH4
Memory	1 x 200-pin DDR266 SO-DIMM (up to 1GB)
Fanless/Fan	Fanless
Watchdog Timer	1~255 sec
Power Supply	DC 24V input, 90Watt
Power Adaptor	AC 100V ~ 240V input, DC 24V 3-pin Phoenix type output (optional)
Operation System	Windows2000 / XP / XPe / WinCE / Linux
System Weight	3kg
Dimension (WxHxD)	256 x 63.2 x 225mm (8.8" x 10" x 2.5")
Certificate	FCC / CE
HDD	3.5" HDD, Max to 500GB

I/O Ports (Front side)	
USB	2 x USB 2.0
Keyboard/Mouse	1 x PS/2 ports for keyboard and mouse
LAN	1 x 10/100 Mbps LAN (RJ45)
Serial Ports	2 x COM ports (DB9, COM2 Support RS232/422/485)
Graphic Port	1 x VGA
Video	4 / 16
Audio	8

Environment	
Operating Temp.	0°~40°C
Storage Temp.	-20°~ 70°C
Humidity	20% ~ 80%
Anti-Vibration	MIL-STD-810F
Anti-shock	50G,IEC60068-2-27,11ms duration

Ordering Information	
AT-VICM10	Embedded PC, Intel Celeron M 1.0 GHZ, 256MB DDR SD-RAM, 40GB HDD
OPTIONS	
AT-VI-EX512	512MB RAM instead serial



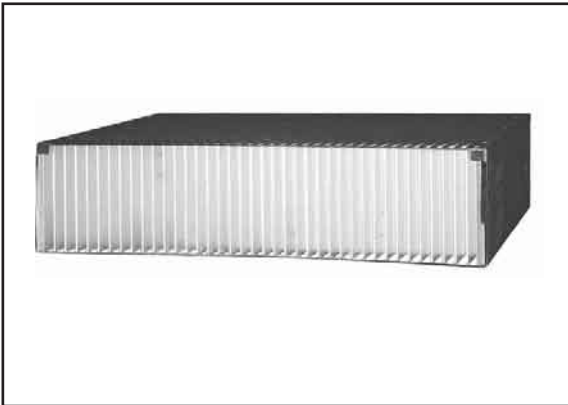


**Embedded System**

**CT Series**

Intel Core™ 2 Duo Fanless

- 6 USB
- COM
- DVI
- VGA
- LAN
- Video



- ✓ Fanless Design
- ✓ Intel Core™ 2 Duo Celeron® M processors
- ✓ Intel i945GM + ICH7M
- ✓ S-Video and Compositive video TV out header
- ✓ PCI & PCIE x16 bracket
- ✓ 120W ATX Power Supply

System	
CPU	Intel Core™ 2 Duo processors
Chipset	Intel i945GM + ICH7M
Memory	Dual channel 667/533 MHz DDR2 system memory (up to 4GB)
Storage	2.5" HDD (2 PATA disk interface (share with CF), 2 SATA disk interface)
Video	Intel GMA 950 graphic controller
Fanless/Fan	Heat Pipe with Fanless cooling system
Watchdog Timer	1~255 sec
Security	TPM 1.2 (Infineon SLB 9635 TT 1.2), ProtectU (optional)
Power Supply	120W ATX Power Supply
Operation System	Windows XP Embedded, Linux
Dimension (WxHxD)	252 x 80 x 323mm
Certificate	FCC / CE

I/O Ports	
USB	6 x USB 2.0 + 2 x USB internal
Keyboard/Mouse	1 x PS/2 ports for keyboard and mouse
LAN	1 x 10/100/1000 Mbps LAN (RJ45)
Audio	Stereo Audio output
Video	S-Video + Composite TV-out Internal
Serial Ports	1 x RS232C, 1 x PS-232C internal, 1 x RS424/485 internal
Microphone	Microphone and Audio Line input internal (optional)
Graphic Ports	D-SUB44, DVI-I, DB15 VGA
Expansion Slot	One 32-bit 33MHz PCI slot (Option)
Other	PCI & PCIE x16 bracket, Wireless Antenna Hole, Power switch and remote power switch jack, Hardware Monitoring

Environment	
Operating Temp.	0°~50°C
Storage Temp.	-20°~ 80°C
Humidity	20% ~ 90%
Anti-Vibration	MIL-STD-810F
Anti-shock	50G, IEC60068-2-27, 11ms duration

**Ordering Information**

AT-CTC2D20	"Embedded PC, Intel Core™ 2 Duo, Core™ Duo, Core™ Solo, Celeron® M processors"
------------	--

1 Industrial Panel PC

2 Embedded System

3 Industrial Monitor

4 LCD Monitor Console

5 Rackmount Panel

# Selection Guide

## AE Series



	AT-AECM13	AT-AECM15	AT-AEPM16	AT-AEPM18	AT-AEDCM13	AT-AEDCM15	AT-AEDPM16	AT-AEDPM18
<b>Specification</b>								
<b>System</b>								
CPU	Intel Celeron M 1.3 GHZ CPU	Intel Celeron M 1.5 GHZ CPU	Intel Pentium M 1.6 GHZ CPU	Intel Pentium M 1.8 GHZ CPU	Intel Celeron M 1.3 GHZ CPU	Intel Celeron M 1.5 GHZ CPU	Intel Pentium M 1.6 GHZ CPU	Intel Pentium M 1.8 GHZ CPU
Chipset	Intel 855GME + ICH4 chipset or Intel 852GM + ICH4 chipset							
Memory	512 MB DDR 333 SDRAM (up to 1GB)							
Fanless/Fan	Heat Pipe with external heatsink, Fanless cooling system							
Security	TPM 1.2 (Infineon SLB 9635 TT 1.2), ProtectU (Option)							
Power Supply	60Watt AC to DC 12V power adaptor, 110~240V AC input				9V to 32VDC input, 12VDC output power module			
Operation System	Windows XP, XP Embedded, Windows CE and Linux							
HDD	A Anti-shock drive bay for 2.5" HDD							
<b>I/O Ports</b>								
USB	2 x USB 2.0 + 4 x USB 2.0 internal							
Keyboard/ Mouse	1 x PS/2 ports for keyboard and mouse							
LAN	1 x 10/100/Mbps LAN (RJ45)							
Audio	Amplified audio output							
Microphone	Microphone input							
Serial Ports	4 x RS232							
Graphic Port & Connector	D-SUB44, DB15 VGA, DB-25 LVDS , Optional DB-25 printer port							
Expansion Slot	Optional USB wireless module							
GPIO	8-bit GPIO (optional)							
Other	WiFi Antenna Hole, CF card holder							

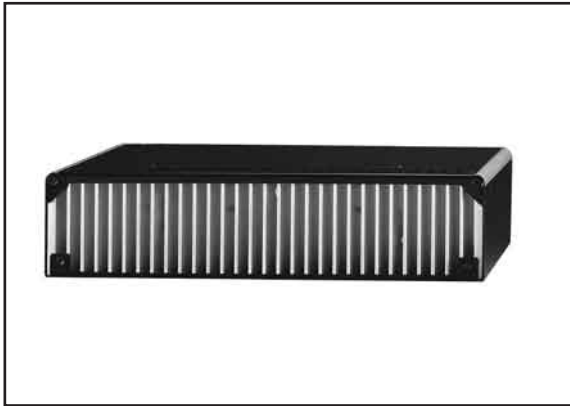


**Embedded System**

**AE Series**

Pentium M
Celeron M
Heat Pipe
Fanless
LVDS

2 USB
4 COM
VGA
LAN



- ✓ Fanless with Heat Pipe design and Dustproof
- ✓ Intel socket Pentium M & Celeron M processors
- ✓ Intel 852GM + ICH4 chipset
- ✓ LVDS & VGA Output Support Dual Independent Display
- ✓ Dual LAN & 4 Serial Ports
- ✓ Optional DC 9 to 32V Power Input

System	
CPU	Intel Pentium M & Celeron M processors
Chipset	Intel 855GME + ICH4 chipset or Intel 852GM + ICH4 chipset
Memory	512 MB DDR 333 SDRAM (up to 1GB)
Fanless/Fan	Heat Pipe with external heatsink, Fanless cooling system
Watchdog Timer	1~63sec
Security	TPM 1.2 (Infineon SLB 9635 TT 1.2), ProtectU (Option)
Power Supply	60Watt AC to DC 12V power adaptor 110~240V AC input (AT-AECM13, AT-AECM15, AT-AEPM16, AT-AEPM18) 9V to 32VDC input, 12VDC output power module (AT-AEDCM13, AT-AEDCM15, AT-AEDPM16, AT-AEDPM18)
Operation System	Windows XP, XP Embedded, Windows CE and Linux
Dimension (WxHxD)	165 x 60 x 251mm
Certificate	FCC / CE
HDD	A Anti-shock drive bay for 2.5" HDD

I/O Ports	
USB	2 x USB 2.0 + 4 x USB 2.0 internal
Keyboard/Mouse	1 x PS/2 ports for keyboard and mouse
LAN	1 x 10/100/Mbps LAN (RJ45)
Audio	Amplified audio output
Microphone	Microphone input
Serial Ports	4 x RS232
Graphic Port & Connector	D-SUB44, DB15 VGA, DB-25 LVDS , Optional DB-25 printer port
Expansion Slot	Optional USB wireless module
GPIO	8-bit GPIO (optional)
Other	WiFi Antenna Hole, CF card holder

Environment	
Operating Temp.	0°~50°C
Storage Temp.	-20°~ 80°C
Humidity	20% ~ 90%
Anti-Vibration	MIL-STD-810F
Anti-shock	50G, IEC60068-2-27, 11ms duration

**Ordering Information**

AT-AECM13	Embedded PC, Intel Celeron M 1.3 GHZ, 512MB, 40GB
AT-AECM15	Embedded PC, Intel Celeron M 1.5 GHZ, 512MB, 40GB
AT-AEPM16	Embedded PC, Intel Pentium M 1.6 GHZ, 512MB, 40GB
AT-AEPM18	Embedded PC, Intel Pentium M 1.8 GHZ, 512MB, 40GB
AT-AEDCM13	Embedded PC, Intel Celeron M 1.3 GHZ, 512MB, 40GB, 9~32V DC
AT-AEDCM15	Embedded PC, Intel Celeron M 1.5 GHZ, 512MB, 40GB, 9~32V DC
AT-AEDPM16	Embedded PC, Intel Pentium M 1.6 GHZ, 512MB, 40GB, 9~32V DC
AT-AEDPM18	Embedded PC, Intel Pentium M 1.8 GHZ, 512MB, 40GB, 9~32V DC

1 Industrial Panel PC

2 Embedded System

3 Industrial Monitor

4 LCD Monitor Console

5 Rackmount Panel



# Selection Guide

## ME Series



	AT-MECM13	AT-MECM15	AT-MEPM16	AT-MEPM18
<b>System</b>				
CPU	Intel Celeron M 1.3 GHZ CPU	Intel Celeron M 1.5 GHZ CPU	Intel Pentium M 1.6 GHZ CPU	Intel Pentium M 1.8 GHZ CPU
Chipset	Intel GM965+ICH8M			
Memory	2 184-pin DDR DIMM (up to 2GB)			
Fanless/Fan	Fan cooling system			
Watchdog Timer	Software programmable 1~63 seconds			
Security	Embedded ProtectU function			
Power Supply	110~240V AC input 100 Watt ATX power supply			
Operation System	Windows XP, XP Embedded, Windows CE and Linux			
HDD	A Anti-shock drive bay for 2.5" HDD			
<b>External I/O</b>				
CF	CF+ Type II			
USB	6 x USB 2.0			
Keyboard/Mouse	1 x PS/2 ports for keyboard and mouse			
LAN	1 x 10/100/1000 Mbps LAN (RJ45)			
Audio	Stereo audio output			
Serial Ports	2 x RS232			
Graphic Port & Connector	D-SUB44, DB-25LVDS, DB15 VGA, optional DB-25 printer port			
Expansion Slot	PCI slot, Mini PCI slot, Compact Flash type II socket			
Other	Two WiFi Antenna (optional)			
<b>Internal I/O</b>				
Audio	Line in and Mic-in			
LVDS	Dual channel 18-Bit LVDS Interfaces			



**Embedded System**

**ME Series**



Pentium M Celeron M LVDS

Mini PCI 6 USB 2 COM LAN CF - Typr II VGA PCI DVI

- ✓ Intel Pentium M & Celeron M Processors
- ✓ ATI RADEON 9000 Chipset
- ✓ 2 184-pin DDR DIMM (up to 2GB)
- ✓ Mini PCI slot Support
- ✓ Dual Display Support

**System**

CPU	Intel Pentium M & Celeron M Processors
Chipset	Intel GM965 + ICH8M
Memory	2 184-pin DDR DIMM (up to 2GB)
Fanless/Fan	Fan cooling system
Watchdog Timer	Software programmable 1~63 seconds
Security	Embedded ProtectU function
Power Supply	110~240V AC input 100 Watt ATX power supply
Operation System	Windows XP, XP Embedded, Windows CE and Linux
Dimension (WxHxD)	258 x 90 x 300mm
Certificate	FCC / CE
HDD	A Anti-shock drive bay for 2.5" HDD

**External I/O**

CF	CF+ Type II
USB	6 x USB 2.0
Keyboard/Mouse	1 x PS/2 ports for keyboard and mouse
LAN	1 x 10/100/1000 Mbps LAN (RJ45)
Audio	Stereo audio output
Serial Ports	2 x RS232
Graphic Port & Connector	D-SUB44, DB-25 LVDS, DB-15 VGA, Optional, DB-25 printer Port
Expansion Slot	PCI slot, Mini PCI slot, Compact Flash type II socket
Other	WiFi Antenna (optional)

**Internal I/O**

Audio	Line in and Mic-in
LVDS	Dual channel 18-Bit LVDS Interfaces

**Environment**

Operating Temp.	0°~50°C
Storage Tmp.	-20°~ 80°C
Humidity	20% ~ 90%
Anti-Vibration	MIL-STD-810F
Anti-shock	50G, IEL60068-2-27, 11ms duration

**Ordering Information**

AT-MEEM13	Embedded PC, Intel Celeron M 1.3 GHZ, 512MB, 40GB
AT-MEEM15	Embedded PC, Intel Celeron M 1.5 GHZ, 512MB, 40GB
AT-MEEM16	Embedded PC, Intel Pentium M 1.6 GHZ, 512MB, 40GB
AT-MEEM18	Embedded PC, Intel Pentium M 1.8 GHZ, 512MB, 40GB

1 Industrial Panel PC

2 Embedded System

3 Industrial Monitor

4 LCD Monitor Console

5 Rackmount Panel



**Embedded System**

**AM Series**

LX800 LVDS

4 USB 4 COM LAN CF + Typell VGA



- ✓ Fanless design
- ✓ Ultra Low Power AMD Geode LX 800 CPU
- ✓ One SO-DIMM support 200MHz DDR SDRAM
- ✓ 1 x 2.5" anti-Vibration slim HDD
- ✓ 90 to 264V AC input, 12VDC output

System	
CPU	Ultra Low Power AMD Geode LX 800 CPU
Memory	One SO-DIMM support 200MHz DDR SDRAM
Fanless/Fan	Fan cooling system
Watchdog Timer	Software programmable 1-255 seconds
Power Supply	90 to 264V AC input, 12VDC output
Operation System	Win XP/XP Embedded, WinCE, Linux
Dimension (WxHxD)	278 x 67 x 117.1mm
Certificate	FCC / CE
HDD	2.5" HDD
I/O Ports	
USB	4 x USB 1.1 + 1 x USB1.1 internal
CF	CF + Type II
Keyboard/Mouse	1 x PS/2 ports for keyboard and mouse
LAN	1 x 10/100 Mbps LAN port (Intel 82573L), 1 x RJ-45
Audio	Stereo audio output + Mic-in, Line-in internal
Serial Ports	4 RS-232C ports
Parallel Port	1 x Printer port, internal
Graphic port	DB25 LVDS , DB15 VGA, TV out (S-Video)
GPIO	4 input, 4 output, internal
Expansion Slot	PCI-104
Other	One WiFi Antenna hole
Environment	
Operating Temp.	0°~50°C
Storage Temp.	-20°~ 80°C
Humidity	0% ~ 90%
Anti-Vibration	MIL-STD-810F
Anti-shock	50G, IEC60068-2-27, 11ms duration

Ordering Information	
AT-AM800	Embedded PC, AMD Ultra Low Power Geode LX 800, 512MB, 40GB
Option	
AT-AM-EX512	512MB RAM instead serial



# Industrial Monitor

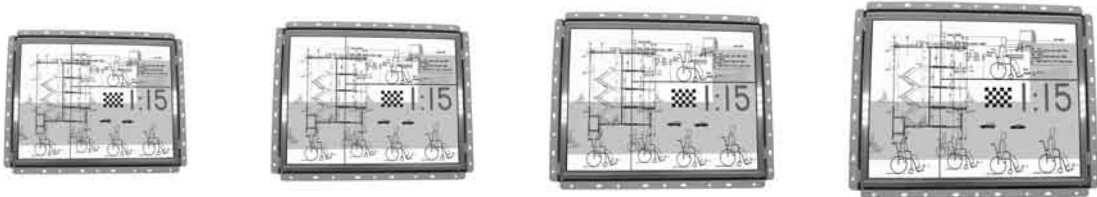
---

- >> Sunlight Readable Open Frame Monitor  
Selection Guide  
Product Specification
- >> Open Frame Monitor  
Selection Guide  
Product Specification
- >> Industrial TFT Panel Monitor  
Selection Guide  
Product Specification
- >> Panel Kits  
Selection Guide  
Product Specification



# Selection Guide

## Sunlight Readable Open Frame Monitor



	AT-HE12	AT-HE15	AT-HE17	AT-HE19	AT-HE12T	AT-HE15T	AT-HE17T	AT-HE19T
<b>Specification</b>								
<b>Display</b>								
Display Type	12" SVGA TFT LCD	15" XGA TFT LCD	17" SXGA TFT LCD	19" SXGA TFT LCD	12" SVGA TFT LCD	15" XGA TFT LCD	17" SXGA TFT LCD	19" SXGA TFT LCD
Resolution	1024 (H) x 768 (V)	1024 (H) x 768 (V)	1280 (H) x 1024 (V)	1280 (H) x 1024 (V)	1024 (H) x 768 (V)	1024 (H) x 768 (V)	1280 (H) x 1024 (V)	1280 (H) x 1024 (V)
Pixel Pitch	0.3075 (H) x 0.3075 (V) (mm)	0.297 (H) x 0.297 (V) (mm)	0.264 (H) x 0.264 (V) (mm)	0.294 (H) x 0.294 (V) (mm)	0.3075 (H) x 0.3075 (V) (mm)	0.297 (H) x 0.297 (V) (mm)	0.264 (H) x 0.264 (V) (mm)	0.294 (H) x 0.294 (V) (mm)
Display Color	262k	16.2M	16.2M	16.2M	262k	16.2M	16.2M	16.2M
Brightness	1500 cd/m <sup>2</sup>	1700 cd/m <sup>2</sup>	1100 cd/m <sup>2</sup>	1000 cd/m <sup>2</sup>	1500 cd/m <sup>2</sup>	1700 cd/m <sup>2</sup>	1100 cd/m <sup>2</sup>	1000 cd/m <sup>2</sup>
Contrast Ratio	500:1							
Viewing Angle	-60° ~ +60° -50° ~ +45° (V)	-70° ~ +70° (H), -60° ~ +65° (V)	-70° ~ +70° (H), -60° ~ +60° (V)	+70° ~ -70° (H), +60° ~ -60° (V)	-60° ~ +60° (H), -50° ~ +45° (V)	-70° ~ +70° (H), -60° ~ +65° (V)	-70° ~ +70° (H), -60° ~ +60° (V)	+70° ~ -70° (H), +60° ~ -60° (V)
Power Consumption	40W	54W	60W	60W	40W	54W	60W	60W
Response Time	50 (Tr+Tf) (ms)	16 (Tr+Tf) (ms)	12 (Tr+Tf) (ms)	50,000 (hour)	50 (Tr+Tf) (ms)	16 (Tr+Tf) (ms)	12 (Tr+Tf) (ms)	8 (Tr+Tf) (ms)
Back Light MTBF	50,000 (hour)	50,000 (hour)	50,000 (hour)	50,000 (hour)	50,000 (hour)	50,000 (hour)	50,000 (hour)	50,000 (hour)
Construction	Heavy duty steel chassis with VESA 75mm standard screw holes		Heavy duty steel chassis with VESA 100mm standard screw holes		Heavy duty steel chassis with VESA 75mm standard screw holes		Heavy duty steel chassis with VESA 100mm standard screw holes	
OS Support	MS DOS, Windows 98/SE, Windows NT4.0, Windows 2000, Windows XP							
Menu OSD	Yes							
Remote control	Infrared Remote (Optional)							
<b>I/O</b>								
Power Input	External 48WDC 12V power adapter							
Input Connector	PC Analog: 15-pin D-SUB, DVI							
Output Connector	PC Analog: 15-pin D-SUB							
<b>Touch Screen</b>								
Type	NA				Five-wire Analog resistive			
Controller	NA				RS-232 interface			

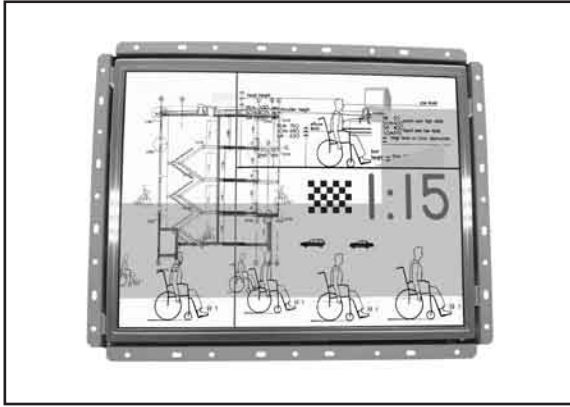




**Industrial Monitor**

**Sunlight Readable Open Frame Monitor**  
**12" Open Frame Monitor**

12"



Order Information	
AT-HE12	12" Sunlight Readable Open Frame Flat Panel Monitor 4:3
AT-HE12T	12" Sunlight Readable Open Frame Monitor m. Touch Screen 4:3, RS232
Option	
AT-HE-EXIR	Infrared Remote, Control

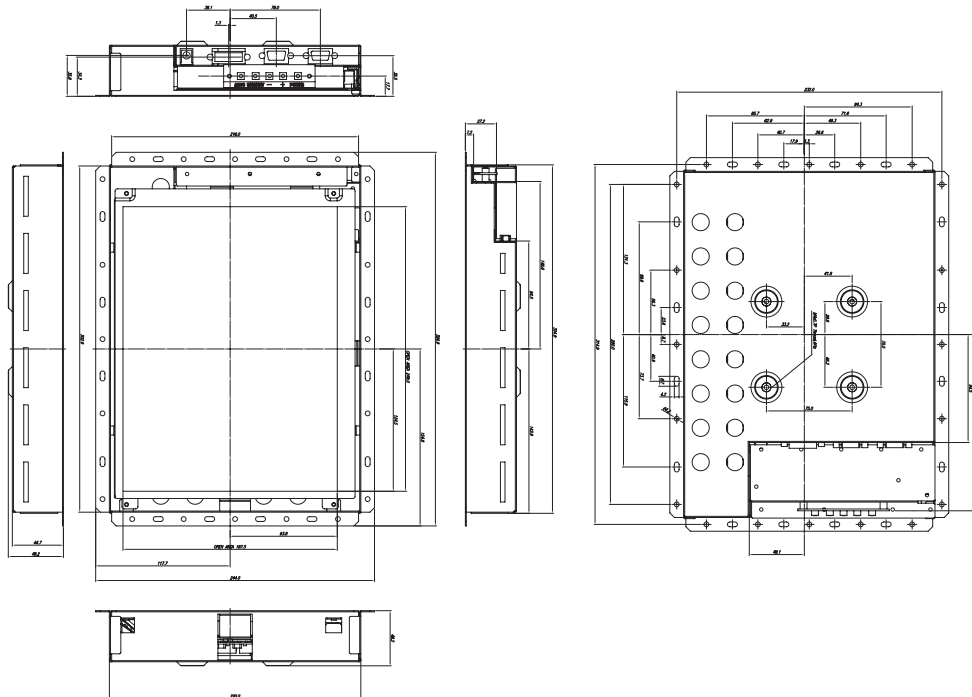
Display	
Display Type	12" SVGA TFT LCD
Resolution	1024 (H) x 768 (V)
Pixel Pitch	0.3075 (H) x 0.3075 (V) (mm)
Display Color	262k
Brightness	1500 cd/m <sup>2</sup>
Contrast Ratio	500:1
Viewing Angle	L/R:-60° ~ +60°, U/D:-50° ~ +45°
InterFace	LVDS
Power Consumption	40W
Response Time	50 (Tr+Tf) (ms)
Back Light MTBF	50,000 (hour)
Construction	Heavy duty steel chassis with VESA 75mm standard screw holes
Menu OSD	Yes
Remote control	Infrared Remote, Optional
OS Support	MS DOS, Windows 98/SE, Windows NT4.0, Windows 2000, Windows XP

I/O	
Power Input	External 48WDC 12V power adapter
Input Connector	PC Analog: 15-pin D-SUB, DVI
Output Connector	PC Analog: 15-pin D-SUB

Touch Screen (Optional)	
Type	Five-wire Analog resistive
Controller	RS-232 interface

Mechanical and Environmental	
Operating temperature	10° ~ 45°
Storage temperature	-20°C ~ 60°C
Storage humidity	20% ~ 80% @ 40°C, Non-condensing
Dimensions	326.9 x 244 x 48.2mm
Gross Weight	2.22 kg

**DRAWING**



1 Industrial Panel PC

2 Embedded System

3 Industrial Monitor

4 LCD Monitor Console

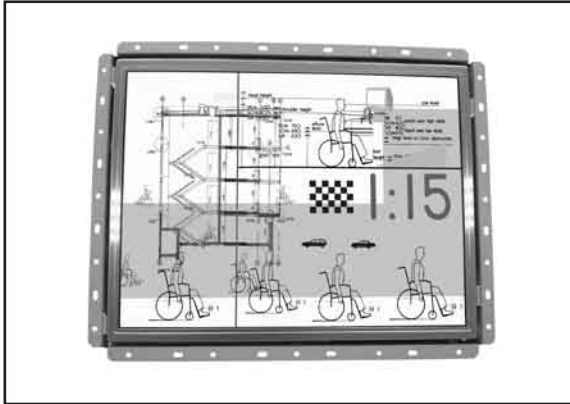
5 Rackmount Panel



**Industrial Monitor**

**Sunlight Readable Open Frame Monitor**  
**15" Open Frame Monitor**

15"



**Order Information**

AT-HE15	15" Sunlight Readable Open Frame Flat Panel Monitor 4:3
AT-HE15T	15" Sunlight Readable Open Frame Monitor m. Touch Screen 4:3, RS232
<b>Option</b>	
AT-HE-EXIR	Infrared Remote, Control

**Display**

Display Type	15" XGA TFT LCD
Resolution	1024 (H) x 768 (V)
Pixel Pitch	0.297 (H) x 0.297 (V) (mm)
Display Color	16.2M
Brightness	1700 cd/m <sup>2</sup>
Contrast Ratio	500:1
Viewing Angle	L/R:-70° ~ +70°, U/D:-60° ~ +65°
Power Consumption	54W
Response Time	16 (Tr+Tf) (ms)
Back Light MTBF	50,000 (hour)
Construction	Heavy duty steel chassis with VESA standard screw holes
OS Support	MS DOS, Windows 98/SE, Windows NT4.0, Windows 2000, Windows XP
Menu OSD	Yes
Remote control	Infrared Remote, Optional

**I/O**

Power Input	External 48WDC 12V power adapter
Input Connector	PC Analog: 15-pin D-SUB, DVI
Output Connector	PC Analog: 15-pin D-SUB

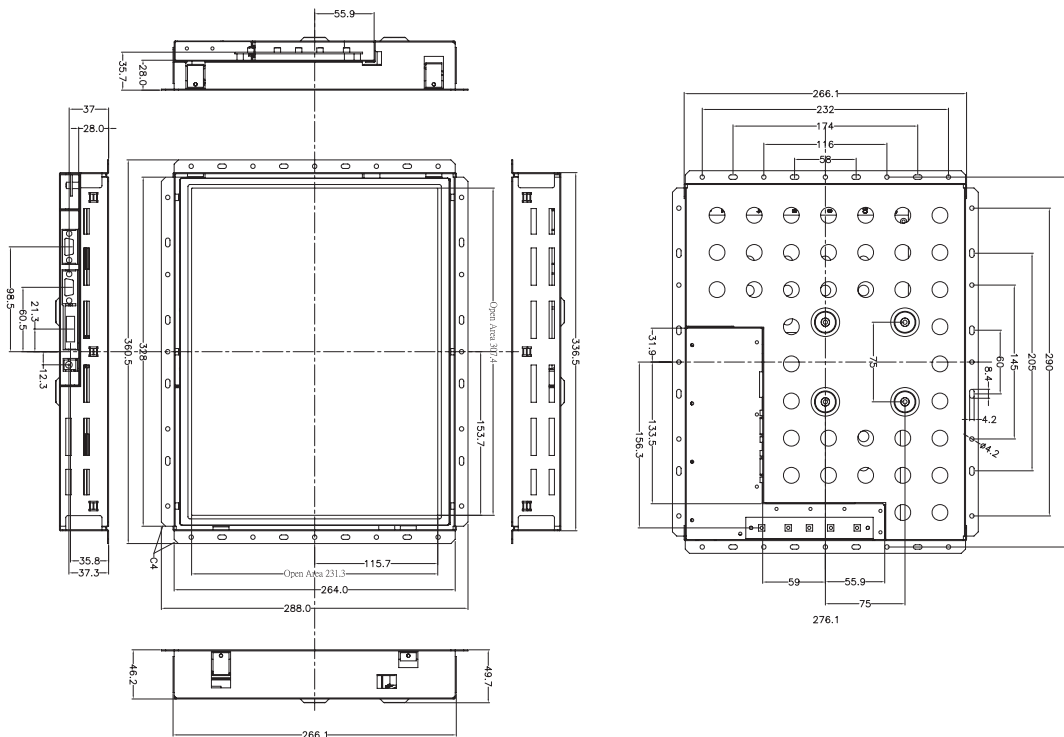
**Touch Screen (Optional)**

Type	Five-wire Analog resistive
Controller	RS-232 interface

**Mechanical and Environmental**

Operating temperature	10°~ 45°
Storage temperature	-20°C~60°C
Storage humidity	20% ~ 80%@40°C, Non-condensing
Dimensions	360.5 x 288 x 49.7mm
Gross Weight	2.93 kg

**DRAWING**





**Industrial Monitor**

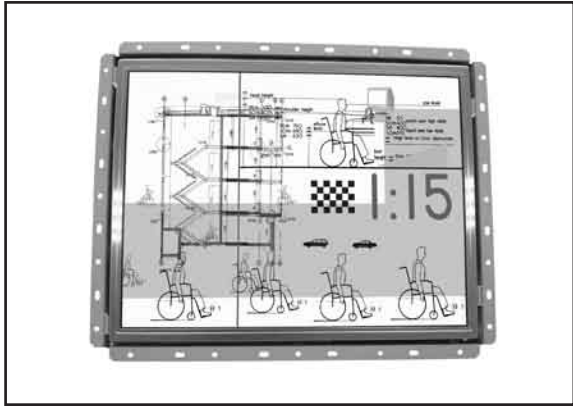
**Sunlight Readable Open Frame Monitor  
17" Open Frame Monitor**

17"

LVDS

DVI

Sunlight Readable



**Display**

Display Type	17" SXGA TFT LCD
Resolution	1280 (H) x 1024 (V)
Pixel Pitch	0.264 (H) x 0.264 (V) (mm)
Display Color	16.2M
Brightness	1100 cd/m <sup>2</sup>
Contrast Ratio	500:1
Viewing Angle	L/R:-70° ~ +70°, U/D:-60° ~ +60°
InterFace	LVDS (2CH)
Power Consumption	60W
Response Time	12 (Tr+Tf) (ms)
Back Light MTBF	50,000 (hour)
Construction	Heavy duty steel chassis with VESA standard screw holes
OS Support	MS DOS, Windows 98/SE, Windows NT4.0, Windows 2000, Windows XP
Menu OSD	Yes
Remote control	Infrared Remote, Control Optional

**I/O**

Power Input	External 48WDC 12V power adapter
Input Connector	PC Analog: 15-pin D-SUB, DVI
Output Connector	PC Analog: 15-pin D-SUB

**Touch Screen (Optional) (AT-OPSR17T)**

Type	Five-wire Analog resistive
Controller	RS-232 interface

**Mechanical and Environmental**

Operating temperature	10° ~ 45°
Storage temperature	-20°C ~ 60°C
Storage humidity	20% ~ 80% @ 40°C, Non-condensing
Dimensions	392.5 x 331.7 x 51.2mm
Gross Weight	3.55 kg

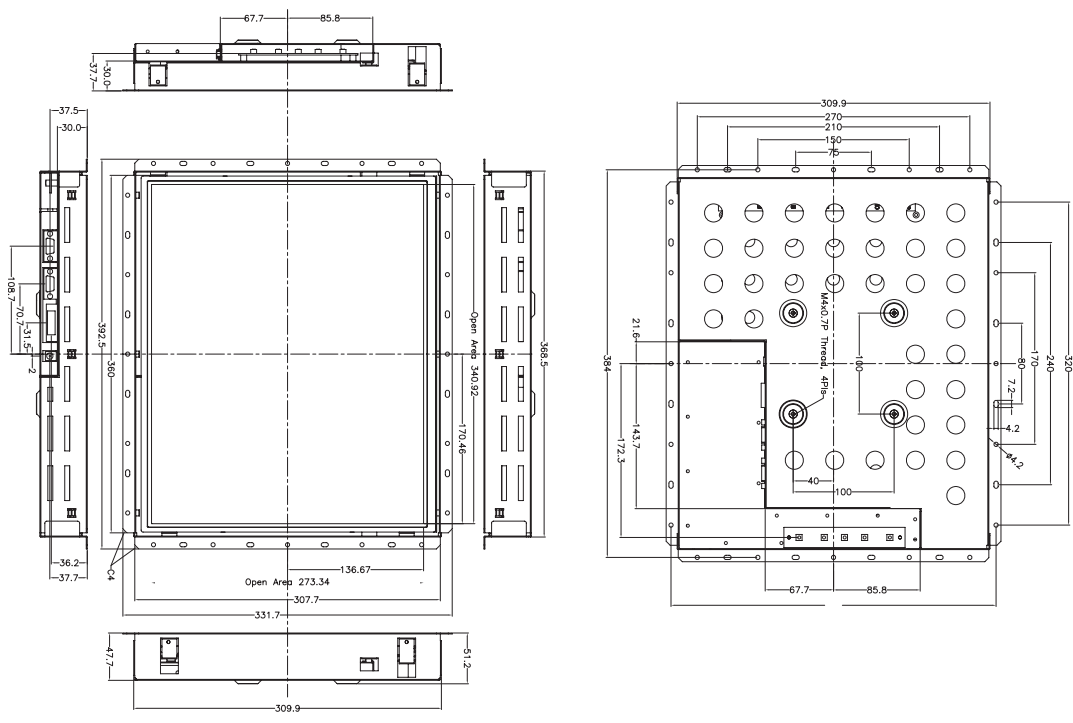
**Order Information**

AT-HE17	17" Sunlight Readable Open Frame Flat Panel Monitor 4:3
AT-HE17T	17" Sunlight Readable Open Frame Monitor m. Touch Screen 4:3

**Option**

AT-HE-EXIR	Infrared Remote, Control
------------	--------------------------

**DRAWING**



1 Industrial Panel PC  
2 Embedded System  
3 Industrial Monitor  
4 LCD Monitor Console  
5 Rackmount Panel



**Industrial Monitor**

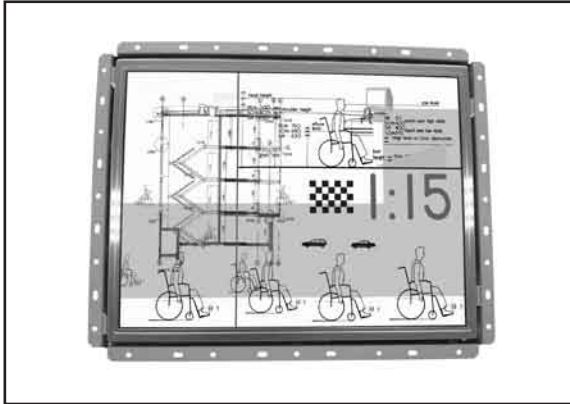
**Sunlight Readable Open Frame Monitor**  
**19" Open Frame Monitor**

19"

LVDS

DVI

Sunlight Readable



**Order Information**

AT-HE19	19" Sunlight Readable Open Frame Flat Panel Monitor 4:3
AT-HE19T	19" Sunlight Readable Open Frame Monitor m. Touch Screen 4:3

**Option**

AT-HE-EXIR	Infrared Remote, Control
------------	--------------------------

**Display**

Display Type	19" SXGA TFT LCD
Resolution	1280 (H) x 1024 (V)
Pixel Pitch	0.294 (H) x 0.294 (V) (mm)
Display Color	16.2M
Brightness	1000 cd/m <sup>2</sup>
Contrast Ratio	500:1
Viewing Angle	L/R:+70° ~ -70°, U/D:+60° ~ -60°
InterFace	LVDS (2GH)
Power Consumption	66W
Response Time	8 (Tr+Tf) (ms)
Back Light MTBF	50,000 (hour)
Construction	Heavy duty steel chassis with VESA standard screw holes
OS Support	MS DOS, Windows 98/SE, Windows NT4.0, Windows 2000, Windows XP
Menu OSD	Yes
Remote control	Infrared Remote, Control Optional

**I/O**

Power Input	External 48WDC 12V power adapter
Input Connector	PC Analog: 15-pin D-SUB, DVI
Output Connector	PC Analog: 15-pin D-SUB

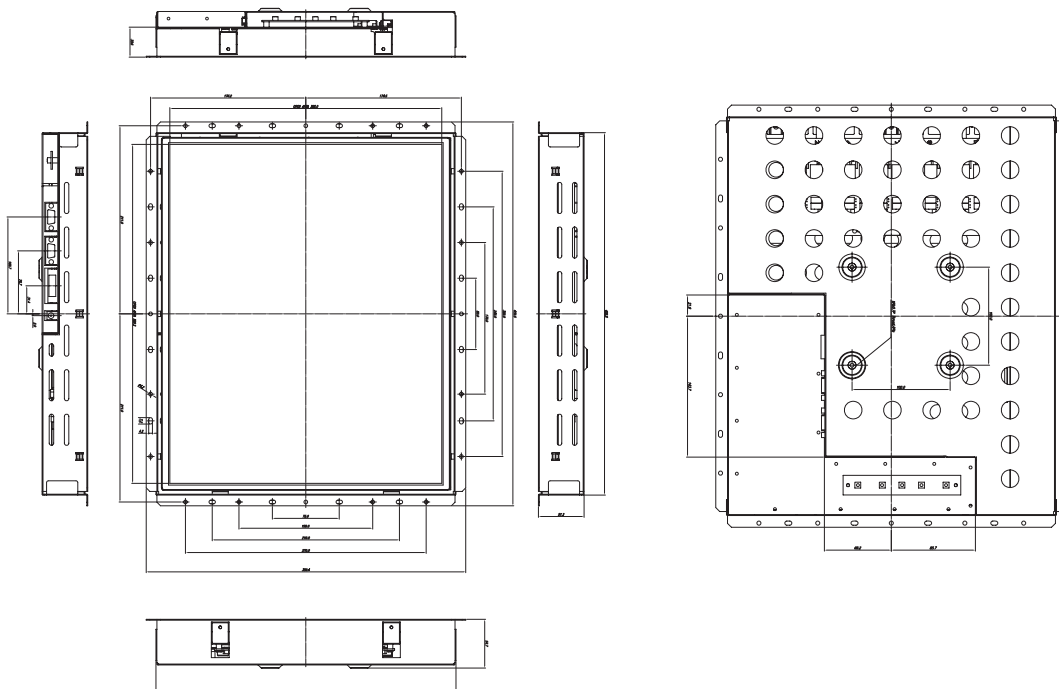
**Touch Screen (Optional) (AT-OPSR19T)**

Type	Five-wire Analog resistive
Controller	RS-232 interface

**Mechanical and Environmental**

Operating temperature	10° ~ 45°
Storage temperature	-20°C ~ 60°C
Storage humidity	20% ~ 80% @ 40°C, Non-condensing
Dimensions	430.5 x 358.4 x 51.2mm
Gross Weight	4.1 kg

**DRAWING**





# Selection Guide

## Open Frame Monitor- 8" Open Frame Monitor



	AT-OP08	AT-OP08TS	AT-OP08TU
<b>Specification</b>			
<b>Display</b>			
Display Type	8" SVGA TFT LCD		
Resolution	640 (H) x 480 (V)		
Pixel Pitch	0.2535 (H) x 0.2535 (V) (mm)		
Display Color	262k		
Brightness	320 cd/m <sup>2</sup>		
Contrast Ratio	300:1		
Viewing Angle	L/R:-55° ~ +55° , -U/D:40° ~+40°		
Response Time	50 (Tr+Tf) (ms)		
Back Light MTBF	20,000 (hour)		
Construction	Heavy duty steel chassis with VESA 75/100mm standard screw holes		
OS Support	MS DOS, Windows 98/SE, Windows NT4.0, Windows 2000, Windows XP		
Menu OSD	Yes		
<b>I/O</b>			
Power Input	External 48WDC 12V power adapter		
Audio input	Line-in		
<b>Touch Screen</b>			
Type	NA	Five-wire Analog resistive	
Resolution			
Controller		RS-232	USB
Resolution		continuous	
Light transmission		79%or more	
Power consumption		<5V @100Ma	



**Industrial Monitor**

**8" Open Frame Monitor**



Display	
Display Type	8" SVGA TFT LCD
Resolution	640 (H) x 480 (V)
Pixel Pitch	0.2535 (H) x 0.2535 (V) (mm)
Display Color	262k
Brightness	320 cd/m <sup>2</sup>
Contrast Ratio	300:1
Viewing Angle	L/R:-55° ~ +55°, U/D:-40° ~+40°
Response Time	50 (Tr+Tf) (ms)
Back Light MTBF	20,000 (hour)
Construction	Heavy duty steel chassis with VESA 75/100mm standard screw holes
OS Support	MS DOS, Windows 98/SE, Windows NT4.0, Windows 2000, Windows XP
Menu OSD	Yes

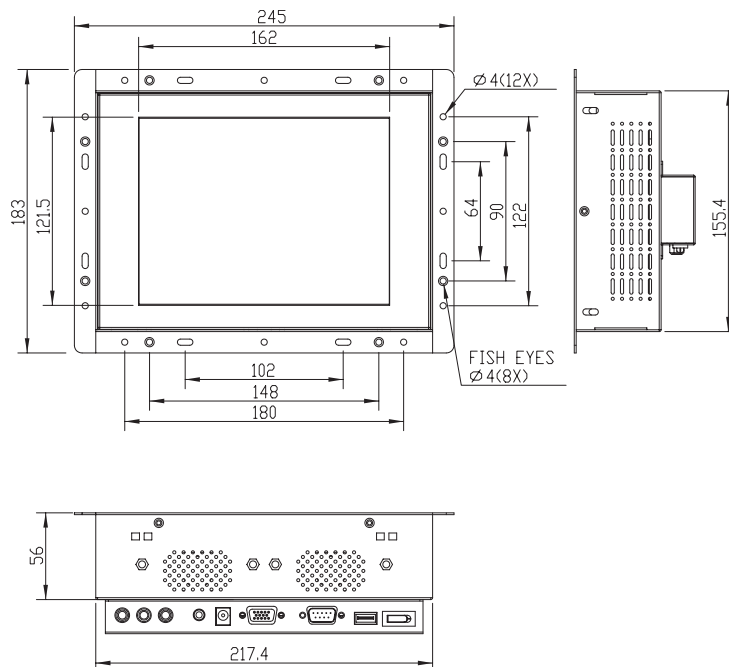
Order Information	
AT-OP08	8" Open Frame
AT-OP08TS	8" Open Frame with Touchscreen, RS232
AT-OP08TU	8" Open Frame with Touchscreen, USB
Option	
AT-OP-EXAV	AV Connector instead serie
AT-OP-EXDVI	DVI instead serie

I/O	
Power Input	External 48WDC 12V power adapter
Audio input	Line-in
Video input	15 pin D-SUB, AV input (Optional)

Touch Screen	
Type	Five-wire Analog resistive
Controller	RS-232 (AT-OP08TS) USB (AT-OP08TU)
Resolution	continuous
Light transmission	79%or more
Power consumption	<5V @100Ma

Mechanical and Environmental	
Operating temperature	0 °C~ 45°C
Storage temperature	-20°C~60°C
Storage humidity	20% ~ 80%
Dimensions	245*183* 56mm
Gross Weight	4.5 kg

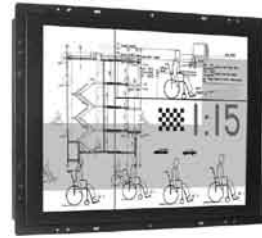
**DRAWING**





# Selection Guide

## Open Frame Monitor- 10" Open Frame Monitor



	AT-OP10	AT-OP10TS	AT-OP10TU
<b>Specification</b>			
<b>Display</b>			
Display Type	10.4" SVGA TFT LCD		
Resolution	800 (H) x 600 (V)		
Pixel Pitch	0.264 (H) x 0.264 (V) (mm)		
Display Color	262k		
Brightness	220 cd/m <sup>2</sup>		
Contrast Ratio	400:1		
Viewing Angle	L/R:-60° ~ +60°, U/D:-65° ~+35°		
Response Time	45 (Tr+Tf) (ms)		
Back Light MTBF	20,000 (hour)		
Construction	Heavy duty steel chassis with VESA 75/100mm standard screw holes		
OS Support	MS DOS, Windows 98/SE, Windows NT4.0, Windows 2000, Windows XP		
Menu OSD	Yes		
<b>I/O</b>			
Power Input	External 48WDC 12V power adapter		
Audio input	Line-in		
<b>Touch Screen</b>			
Type	Five-wire Analog resistive		
Controller	RS-232	USB	
Resolution	continuous		
Light transmission	79%or more		
Power consumption	<5V @100Ma		



**Industrial Monitor**

**10" Open Frame Monitor**

10"

262K

220 cd/m<sup>2</sup>



Display	
Display Type	10.4" SVGA TFT LCD
Resolution	800 (H) x 600 (V)
Pixel Pitch	0.264 (H) x 0.264 (V) (mm)
Display Color	262k
Brightness	220 cd/m <sup>2</sup>
Contrast Ratio	400:1
Viewing Angle	L/R:-60° ~ +60°, U/D:-65° ~ +35°
Response Time	45 (Tr+Tf) (ms)
Back Light MTBF	20,000 (hour)
Construction	Heavy duty steel chassis with VESA 75/100mm standard screw holes
OS Support	MS DOS, Windows 98/SE, Windows NT4.0, Windows 2000, Windows XP
Menu OSD	Yes

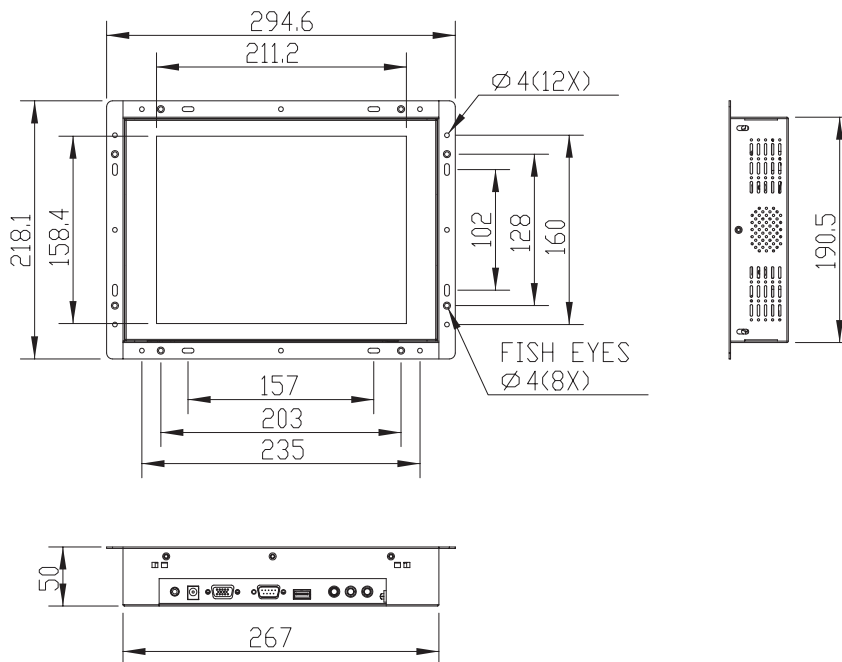
Order Information	
AT-OP10	10" Open Frame
AT-OP10TS	10" Open Frame with Touchscreen, RS232
AT-OP10TU	10" Open Frame with Touchscreen, USB
Option	
AT-OP-EXAV	AV Connector instead serie
AT-OP-EXDVI	DVI instead serie

I/O	
Power Input	External 48WDC 12V power adapter
Audio input	Line-in
Video input	15 pin D-SUB, AV input (Optional)

Touch Screen	
Type	Five-wire Analog resistive
Controller	RS-232 (AT-OP10TS) USB (AT-OP10TU)
Resolution	continuous
Light transmission	79%or more
Power consumption	<5V @100Ma

Mechanical and Environmental	
Operating temperature	0 °C~ 45°C
Storage temperature	-20°C~60°C
Storage humidity	20% ~ 80%
Dimensions	294.6 x 218.1 x 50mm
Gross Weight	3.4 kg

**DRAWING**







# Selection Guide

## Open Frame Monitor- 12" Open Frame Monitor



	AT-OP12	T-OP12TS	AT-OP12TU
<b>Specification</b>			
<b>Display</b>			
Display Type	12" SVGA TFT LCD		
Resolution	800 (H) x 600 (V)		
Pixel Pitch	0.3075 (H) x 0.3075 (V) (mm)		
Display Color	262k		
Brightness	400 cd/m <sup>2</sup>		
Contrast Ratio	200:1		
Viewing Angle	L/R:-60° ~ +60°, U/D:-50° ~ +45°		
Response Time	35 (Tr+Tf) (ms)		
Back Light MTBF	50,000 (hour)		
Construction	Heavy duty steel chassis with VESA 75/100mm standard screw holes		
OS Support	MS DOS, Windows 98/SE, Windows NT4.0, Windows 2000, Windows XP		
Menu OSD	Yes		
<b>I/O</b>			
Power Input	External 48WDC 12V power adapter		
Audio input	Line-in		
<b>Touch Screen</b>			
Type	Five-wire Analog resistive		
Controller	NA	RS-232	USB
Resolution		continuous	
Light transmission		79%or more	
Power consumption		<5V @100Ma	



**Industrial Monitor**

**12" Open Frame Monitor**

12"

262K

400 cd/m<sup>2</sup>



Display	
Display Type	12" SVGA TFT LCD
Resolution	800 (H) x 600 (V)
Pixel Pitch	0.3075 (H) x 0.3075 (V) (mm)
Display Color	262k
Brightness	400 cd/m <sup>2</sup>
Contrast Ratio	200:1
Viewing Angle	L/R:-60° ~ +60°, U/D:-50° ~ +45° (V)
Response Time	35 (Tr+Tf) (ms)
Back Light MTBF	50,000 (hour)
Construction	Heavy duty steel chassis with VESA 75/100mm standard screw holes
OS Support	MS DOS, Windows 98/SE, Windows NT4.0, Windows 2000, Windows XP
Menu OSD	Yes

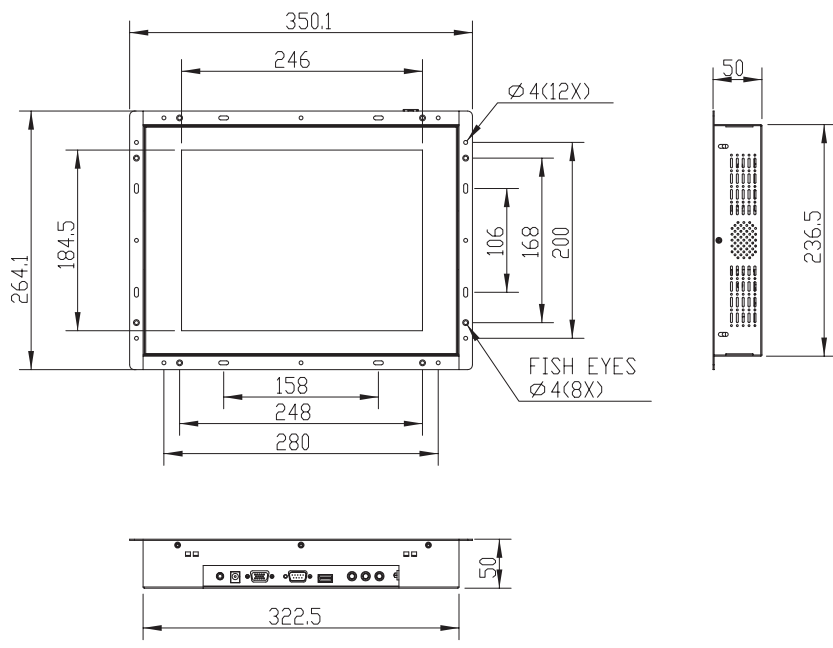
Order Information	
AT-OP12	12" Open Frame
AT-OP12TS	12" Open Frame with Touchscreen, RS232
AT-OP12TU	12" Open Frame with Touchscreen, USB
Option	
AT-OP-EXAV	AV Connector instead serie
AT-OP-EXDVI	DVI instead serie

I/O	
Power Input	External 48WDC 12V power adapter
Audio input	Line-in
Video input	15 pin D-SUB, AV input (Optional)

Touch Screen (Optional)(AT-OP-08T)	
Type	Five-wire Analog resistive
Controller	RS-232 (AT-OP12TS) USB (AT-OP12TU)
Resolution	continuous
Light transmission	79%or more
Power consumption	<5V @100Ma

Mechanical and Environmental	
Operating temperature	10 °C~ 45°C
Storage temperature	-20°C~60°C
Storage humidity	20% ~ 80%
Dimensions	350.1 x 264.1 x 50mm
Gross Weight	5.7 kg

**DRAWING**





# Selection Guide

## Open Frame Monitor- 15" Open Frame Monitor



	AT-OP15	AT-OP15TS	AT-OP15TU
<b>Specification</b>			
<b>Display</b>			
Display Type	15" XGA TFT LCD		
Resolution	1024 (H) x 768 (V)		
Pixel Pitch	0.297 (H) x 0.297 (V) (mm)		
Display Color	16M		
Brightness	250 cd/m <sup>2</sup>		
Contrast Ratio	450:1		
Viewing Angle	L/R:-70° ~ +70°, U/D:-60° ~+65°		
Response Time	16 (Tr+Tf) (ms)		
Back Light MTBF	50,000 (hour)		
Construction	Heavy duty steel chassis with VESA 75/100mm standard screw holes		
OS Support	MS DOS, Windows 98/SE, Windows NT4.0, Windows 2000, Windows XP		
Menu OSD	Yes		
<b>I/O</b>			
Power Input	External 48WDC 12V power adapter		
Audio input	Line-in		
<b>Touch Screen</b>			
Type	NA	Five-wire Analog resistive	
Controller		RS-232	USB
Resolution		continuous	
Light transmission		79%or more	
Power consumption		<5V @100Ma	



**Industrial Monitor**

**15" Open Frame Monitor**

15"

16M

250 cd/m<sup>2</sup>



Display	
Display Type	15" XGA TFT LCD
Resolution	1024 (H) x 768 (V)
Pixel Pitch	0.297 (H) x 0.297 (V) (mm)
Display Color	16M
Brightness	250 cd/m <sup>2</sup>
Contrast Ratio	450:1
Viewing Angle	L/R:-70° ~ +70°, U/D:-60° ~+65°
Response Time	16 (Tr+Tf) (ms)
Back Light MTBF	50,000 (hour)
Construction	Heavy duty steel chassis with VESA 75/100mm standard screw holes
OS Support	MS DOS, Windows 98/SE, Windows NT4.0, Windows 2000, Windows XP
Menu OSD	Yes

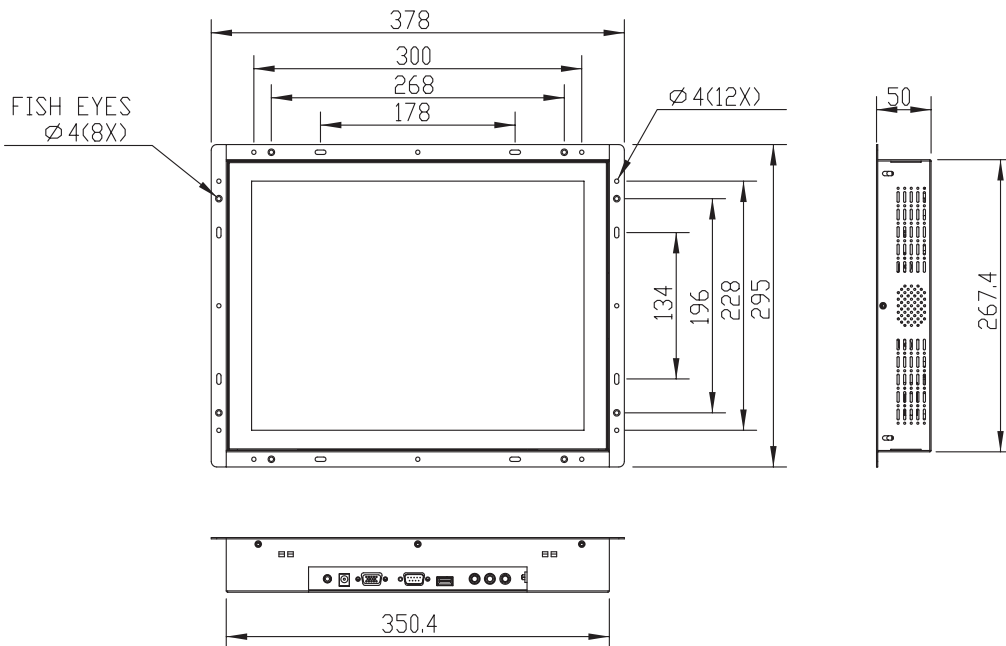
Order Information	
AT-OP15	15" Open Frame
AT-OP15TS	15" Open Frame with Touchscreen, RS232
AT-OP15TU	15" Open Frame with Touchscreen, USB
Option	
AT-OP-EXAV	AV Connector instead serie
AT-OP-EXDVI	DVI instead serie

I/O	
Power Input	External 48WDC 12V power adapter
Audio input	Line-in
Video input	15 pin D-SUB, AV input (Optional)

Touch Screen	
Type	Five-wire Analog resistive
Controller	RS-232 (AT-OP15TS) USB (AT-OP15TU)
Resolution	continuous
Light transmission	79%or more
Power consumption	<5V @100Ma

Mechanical and Environmental	
Operating temperature	10 °C~ 45°C(32°F~ 113°F)
Storage temperature	-20°C~60°C(-4°F~ 140°F)
Storage humidity	20% ~ 80%
Dimensions	378 x 295 x 50mm
Gross Weight	6.5 (kg)

**DRAWING**





# Selection Guide

## Open Frame Monitor- 17" Open Frame Monitor



	AT-OP17	AT-OP17TS	AT-OP17TU
<b>Specification</b>			
<b>Display</b>			
Display Type	17" SXGA TFT LCD		
Resolution	1280 (H) x 1024 (V)		
Pixel Pitch	0.264 (H) x 0.264 (V) (mm)		
Display Color	16M		
Brightness	260 cd/m <sup>2</sup>		
Contrast Ratio	450:1		
Viewing Angle	L/R:-70° ~ +70°, U/D:-70° ~ +70°		
Response Time	8 (Tr+Tf) (ms)		
Back Light MTBF	50,000 (hour)		
Construction	Heavy duty steel chassis with VESA 75/100mm standard screw holes		
OS Support	MS DOS, Windows 98/SE, Windows NT4.0, Windows 2000, Windows XP		
Menu OSD	Yes		
<b>I/O</b>			
Power Input	External 48WDC 12V power adapter		
Audio input	Line-in		
<b>Touch Screen</b>			
Type	Five-wire Analog resistive		
Controller	RS-232		USB
Resolution	continuous		
Light transmission	79%or more		
Power consumption	<5V @100Ma		



**Industrial Monitor**

**17" Open Frame Monitor**

17"

16M

260 cd/m<sup>2</sup>



Display	
Display Type	17" SXGA TFT LCD
Resolution	1280 (H) x 1024 (V)
Pixel Pitch	0.264 (H) x 0.264 (V) (mm)
Display Color	16M
Brightness	260 cd/m <sup>2</sup>
Contrast Ratio	450:1
Viewing Angle	L/R:-70° ~ +70°, U/D:-70° ~+70°
Response Time	8 (Tr+Tf) (ms)
Back Light MTBF	50,000 (hour)
Construction	Heavy duty steel chassis with VESA 75/100mm standard screw holes
OS Support	MS DOS, Windows 98/SE, Windows NT4.0, Windows 2000, Windows XP
Menu OSD	Yes

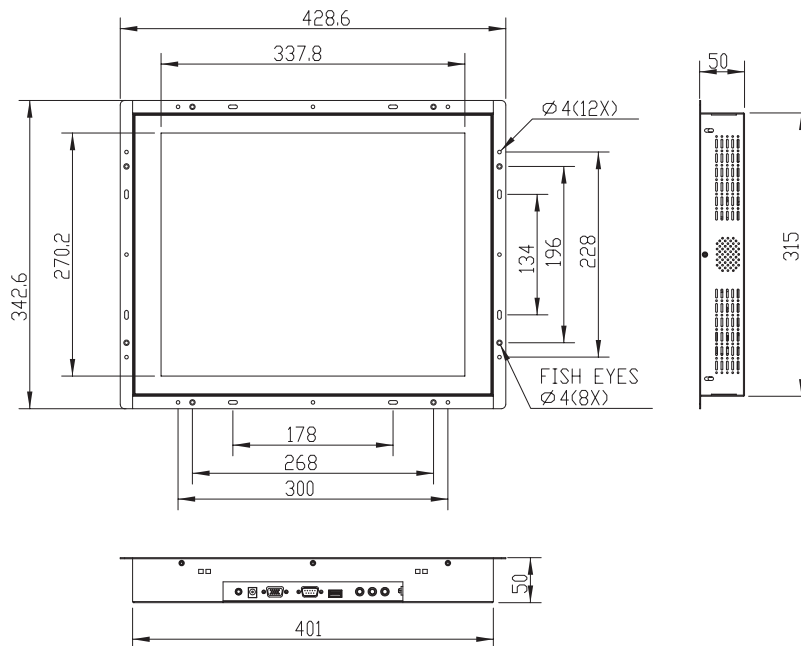
Order Information	
AT-OP17	17" Open Frame
AT-OP17TS	17" Open Frame with Touchscreen, RS232
AT-OP17TU	17" Open Frame with Touchscreen, USB
Option	
AT-OP-EXAV	AV Connector instead serie
AT-OP-EXDVI	DVI instead serie

I/O	
Power Input	External 48WDC 12V power adapter
Audio input	Line-in
Video input	15 pin D-SUB, AV input (Optional)

Touch Screen	
Type	Five-wire Analog resistive
Controller	RS-232 (AT-OP17TS) USB (AT-OP17TU)
Resolution	continuous
Light transmission	79%or more
Power consumption	<5V @100Ma

Mechanical and Environmental	
Operating temperature	0 °C~ 45°C
Storage temperature	-20°C~60°C
Storage humidity	10% ~ 95%@40°C,Non-condensing
Dimensions	428.6 x 342.6 x 50 mm
Gross Weight	8.4 (kg)

**DRAWING**





# Selection Guide

## Open Frame Monitor- 19" Open Frame Monitor



	AT-OP19	AT-OP19TS	AT-OP19TU
<b>Specification</b>			
<b>Display</b>			
Display Type	19" SXGA TFT LCD		
Resolution	1280 (H) x 1024 (V)		
Pixel Pitch	0.294 (H) x 0.294 (V) (mm)		
Display Color	16M		
Brightness	300 cd/m <sup>2</sup>		
Contrast Ratio	450:1		
Viewing Angle	L/R:-80° ~ +80°, U/D:-60° ~ +80°		
Response Time	12 (Tr+Tf) (ms)		
Back Light MTBF	50,000 (hour)		
Construction	Heavy duty steel chassis with VESA 75/100mm standard screw holes		
OS Support	MS DOS, Windows 98/SE, Windows NT4.0, Windows 2000, Windows XP		
Menu OSD	Yes		
<b>I/O</b>			
Power Input	External 48WDC 12V power adapter		
Audio input	Line-in		
<b>Touch Screen</b>			
Type	Five-wire Analog resistive		
Controller	RS-232	USB	
Resolution	continuous		
Light transmission	79%or more		
Power consumption	<5V @100Ma		



**Industrial Monitor**

**19" Open Frame Monitor**

19"

16M

300 cd/m<sup>2</sup>



Display	
Display Type	19" SXGA TFT LCD
Resolution	1280 (H) x 1024 (V)
Pixel Pitch	0.294 (H) x 0.294 (V) (mm)
Display Color	16M
Brightness	300 cd/m <sup>2</sup>
Contrast Ratio	450:1
Viewing Angle	L/R:+65° ~ -65°, U/D:+65° ~ -65° (V)
Response Time	12 (Tr+Tf) (ms)
Back Light MTBF	50,000 (hour)
Construction	Heavy duty steel chassis with VESA 75/100mm standard screw holes
OS Support	MS DOS, Windows 98/SE, Windows NT4.0, Windows 2000, Windows XP
Menu OSD	Yes

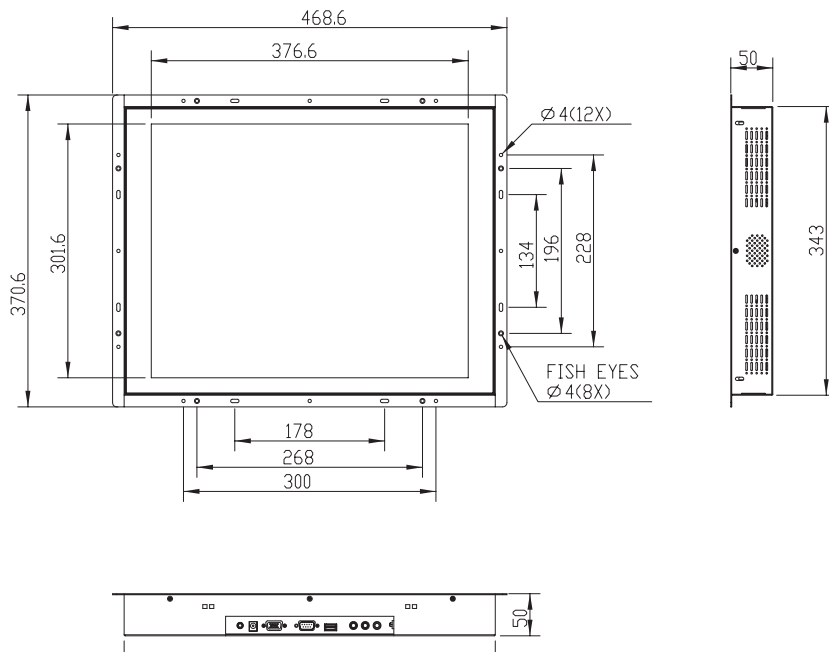
Order Information	
AT-OP19	19" Open Frame
AT-OP19TS	19" Open Frame with Touchscreen, RS232
AT-OP19TU	19" Open Frame with Touchscreen, USB
Option	
AT-OP-EXAV	AV Connector instead serie
AT-OP-EXDVI	DVI instead serie

I/O	
Power Input	External 48WDC 12V power adapter
Audio input	Line-in
Video input	15 pin D-SUB, AV input (Optional)

Touch Screen	
Type	Five-wire Analog resistive
Controller	RS-232 (AT-OP19TS) USB (AT-OP19TU)
Resolution	continuous
Light transmission	79%or more
Power consumption	<5V @100Ma

Mechanical and Environmental	
Operating temperature	0 °C~ 45°C
Storage temperature	-20°C~60°C
Storage humidity	10% ~ 95%@40°C,Non-condensing
Dimensions	468 6*370 6*50mm non-include wall bracket
Gross Weight	10.0 (kg)

**DRAWING**

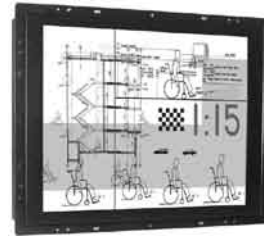






# Selection Guide

## Open Frame Monitor- 20" Open Frame Monitor



	AT-OP20	AT-OP20TS	AT-OP20TU
<b>Specification</b>			
<b>Display</b>			
Display Type	20.1" SXGA TFT LCD		
Resolution	1280 (H) x 1024 (V)		
Pixel Pitch	0.51 (H) x 0.51 (V) (mm)		
Display Color	16M		
Brightness	450 cd/m <sup>2</sup>		
Contrast Ratio	500:1		
Viewing Angle	L/R:-80° ~ +80°, U/D:-60° ~ +80°		
Response Time	16 (Tr+Tf) (ms)		
Back Light MTBF	50,000 (hour)		
Construction	Heavy duty steel chassis with VESA 75/100mm standard screw holes		
OS Support	MS DOS, Windows 98/SE, Windows NT4.0, Windows 2000, Windows XP		
Menu OSD	Yes		
<b>I/O</b>			
Power Input	External 48WDC 12V power adapter		
Audio input	Line-in		
<b>Touch Screen</b>			
Type	Five-wire Analog resistive		
Controller	RS-232		USB
Resolution	continuous		
Light transmission	79%or more		
Power consumption	<5V @100Ma		



**Industrial Monitor**

**20" Open Frame Monitor**

**20"**

**16M**

**450 cd/m<sup>2</sup>**



Display	
Display Type	20.1" SXGA TFT LCD
Resolution	1280 (H) x 1024 (V)
Pixel Pitch	0.51 (H) x 0.51 (V) (mm)
Display Color	16M
Brightness	450 cd/m <sup>2</sup>
Contrast Ratio	500:1
Viewing Angle	L/R:-80° ~ +80°, U/D:-60° ~ +80°
Response Time	16 (Tr+Tf) (ms)
Back Light MTBF	50,000 (hour)
Construction	Heavy duty steel chassis with VESA 75/100mm standard screw holes
OS Support	MS DOS, Windows 98/SE, Windows NT4.0, Windows 2000, Windows XP
Menu OSD	Yes

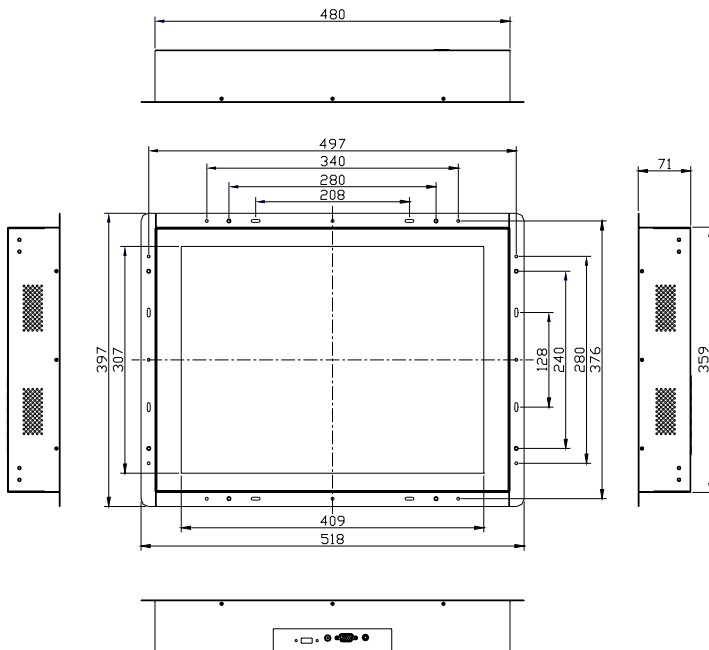
Order Information	
AT-OP20	20" Open Frame
AT-OP20TS	20" Open Frame with Touchscreen, RS232
AT-OP20TU	20" Open Frame with Touchscreen, USB
Option	
AT-OP-EXAV	AV Connector instead serie
AT-OP-EXDVI	DVI instead serie

I/O	
Power Input	External 50W DC 12V power adapter
Audio input	Line-in
Video input	15 pin D-SUB, AV input (Optional)

Touch Screen	
Type	Five-wire Analog resistive
Controller	RS-232 (AT-OP20TS) USB (AT-OP20TU)
Resolution	continuous
Light transmission	79%or more
Power consumption	<5V @100Ma

Mechanical and Environmental	
Operating temperature	0 °C~ 45°C
Storage temperature	-20°C~60°C
Storage humidity	10% ~ 95%@40°C,Non-condensing
Dimensions	518(W)x397(H)x71(D) (mm) non-include wall bracket
Gross Weight	7 (kg)

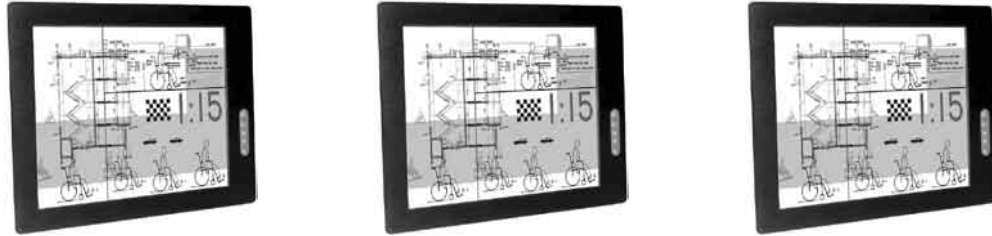
**DRAWING**





# Selection Guide

## 8" Industrial TFT Panel Monitor



	AT-IP08	AT-IP08TS	AT-IP08TU
<b>Specification</b>			
<b>Display</b>			
Display Type	8" SVGA TFT LCD		
Resolution	640 (H) x 480 (V)		
Pixel Pitch	0.2535 (H) x 0.2535 (V) (mm)		
Display Color	262k		
Brightness	320 cd/m <sup>2</sup>		
Contrast Ratio	300:1		
Viewing Angle	L/R:-60° +60°, U/D:-65° +35°		
Response Time	50 (Tr+Tf) (ms)		
Back Light MTBF	20,000 (hour)		
Construction	Aluminium chassis		
OS Support	MS DOS, Windows 98/SE, Windows NT4.0, Windows 2000, Windows XP		
Menu OSD	Yes		
Control	on Frontbezel		
<b>I/O</b>			
Power Input	External 48WDC 12V power adapter		
Audio input	Line-in		
Video input	15 pin D-SUB, AV input		
<b>Touch Screen</b>			
Type	Five-wire Analog resistive		
Controller	RS-232	USB	
Resolution	continuous		
Light transmission	79%or more		
Power consumption	<5V @100Ma		

1 Industrial Panel PC

2 Embedded System

3 Industrial Monitor

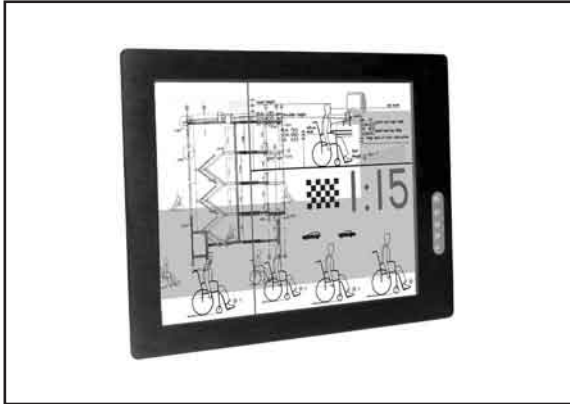
4 LCD Monitor Console

5 Rackmount Panel



**Industrial Monitor**

**8" Industrial TFT Panel Monitor**



Display	
Display Type	8" SVGA TFT LCD
Resolution	640 (H) x 480 (V)
Pixel Pitch	0.2535 (H) x 0.2535 (V) (mm)
Display Color	262k
Brightness	320 cd/m <sup>2</sup>
Contrast Ratio	300:1
Viewing Angle	L/R:-60° +60°, U/D: -65°, +35°
Response Time	50 (Tr+Tf) (ms)
Back Light MTBF	20,000 (hour)
Construction	Aluminium chassis
OS Support	MS DOS, Windows 98/SE, Windows NT4.0, Windows 2000, Windows XP
Menu OSD	Yes
Control	on Frontbezel

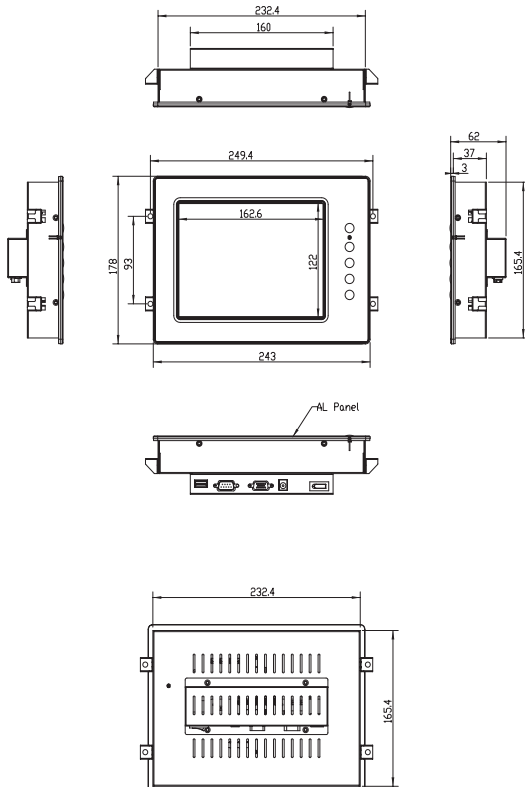
Order Information	
AT-IP08	8" Industrial TFT Panel Monitor 4:3
AT-IP08TS	8" Industrial TFT Panel Monitor, Touch Screen, RS232
AT-IP08TU	8" Industrial TFT Panel Monitor, Touch Screen, USB
Option	
AT-IP-EXAV	AV Connector instead serie

I/O	
Power Input	External 48WDC 12V power adapter
Audio input	Line-in
Video input	15 pin D-SUB, AV input (Optional)

Touch Screen (Optional)	
Type	Five-wire Analog resistive
Controller	RS-232 (AT-IP08TS) USB (AT-IP08TU)
Resolution	continuous
Light transmission	79%or more
Power consumption	<5V @100Ma

**DRAWING**

Mechanical and Environmental	
Operating temperature	0 °C~ 45°C(32°F~ 113°F)
Storage temperature	-20°C~60°C
Storage humidity	10% ~ 95%@40°C,Non-condensing
Dimensions	243 x 178 x 62mm
Gross Weight	2.7 (kg)





# Selection Guide

## 10" Industrial TFT Panel Monitor



	AT-IP10	AT-IP10TS	AT-IP10TU
<b>Specification</b>			
<b>Display</b>			
Display Type	10.4" SVGA TFT LCD		
Resolution	800 (H) x 600 (V)		
Pixel Pitch	0.264 (H) x 0.264 (V) (mm)		
Display Color	262k		
Brightness	220 cd/m <sup>2</sup>		
Contrast Ratio	400:1		
Viewing Angle	L/R:-60° +60°, U/D:-65° +35°		
Response Time	45 (Tr+Tf) (ms)		
Back Light MTBF	20,000 (hour)		
Construction	Aluminium chassis with VESA 75/ 100mm standard screw holes		
OS Support	MS DOS, Windows 98/SE, Windows NT4.0, Windows 2000, Windows XP		
Menu OSD	Yes		
Control	on Frontbezel		
<b>I/O</b>			
Power Input	External 48WDC 12V power adapter		
Audio input	Line-in		
Video input	15 pin D-SUB, AV input		
<b>Touch Screen</b>			
Type	Five-wire Analog resistive		
Controller	RS-232	USB	
Resolution	continuous		
Light transmission	79%or more		
Power consumption	<5V @100Ma		



**Industrial Monitor**

**10" Industrial TFT Panel Monitor**

10"

262K

220 cd/m<sup>2</sup>



Display	
Display Type	10.4" SVGA TFT LCD
Resolution	800 (H) x 600 (V)
Pixel Pitch	0.264 (H) x 0.264 (V) (mm)
Display Color	262k
Brightness	220 cd/m <sup>2</sup>
Contrast Ratio	400:1
Viewing Angle	L/R:-60° +60°, U/D:-65°, +35°
Response Time	45 (Tr+Tf) (ms)
Back Light MTBF	20,000 (hour)
Construction	Aluminium chassis with VESA 75/ 100mm standard screw holes
OS Support	MS DOS, Windows 98/SE, Windows NT4.0, Windows 2000, Windows XP
Menu OSD	Yes
Control	on Frontbezel

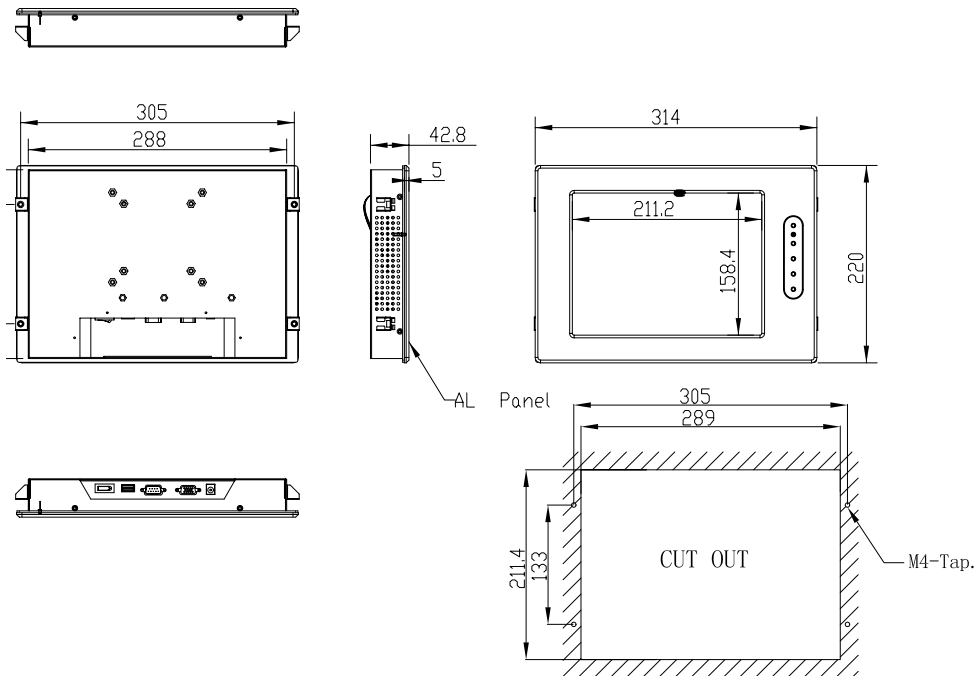
Order Information	
AT-IP10	10.4" Industrial TFT Panel Monitor 4:3
AT-IP10TU	10.4" Industrial TFT Panel Monitor, Touch Screen, USB
AT-IP10TS	10.4" Industrial TFT Panel Monitor, Touch Screen, RS232
Option	
AT-IP-EXAV	AV Connector instead serie

I/O	
Power Input	External 48WDC 12V power adapter
Audio input	Line-in
Video input	15 pin D-SUB, AV input (Optional)

Touch Screen	
Type	Five-wire Analog resistive
Controller	RS-232 (AT-IP10TS) USB (AT-IP10TU)
Resolution	continuous
Light transmission	79%or more
Power consumption	<5V @100Ma

Mechanical and Environmental	
Operating temperature	0 °C~ 45°C(32°F~ 113°F)
Storage temperature	-20°C~60°C(-4°F~ 140°F)
Dimensions	314 x 220 x 42.8mm
Gross Weight	3.4 kg

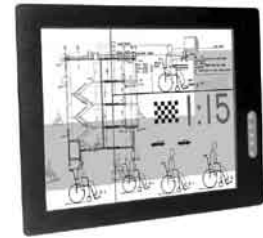
**DRAWING**





# Selection Guide

## 12" Industrial TFT Panel Monitor



	AT-IP12	AT-IP12T	AT-IP12TU
<b>Specification</b>			
<b>Display</b>			
Display Type	12.1" SVGA TFT LCD		
Resolution	800 (H) x 600 (V)		
Pixel Pitch	0.3075 (H) x 0.3075 (V) (mm)		
Display Color	262k		
Brightness	400 cd/m <sup>2</sup>		
Contrast Ratio	500:1		
Viewing Angle	L/R:140°, U/D:110°		
Response Time	35 (Tr+Tf) (ms)		
Back Light MTBF	50,000 (hour)		
Construction	Heavy duty steel chassis with VESA 75/100mm standard screw holes		
OS Support	MS DOS, Windows 98/SE, Windows NT4.0, Windows 2000, Windows XP		
Menu OSD	Yes		
Control	on Frontbezel		
<b>I/O</b>			
Power Input	External 48WDC 12V power adapter		
Audio input	Line-in		
Video input	15 pin D-SUB, AV input		
<b>Touch Screen</b>			
Type	Five-wire Analog resistive		
Controller	RS-232	USB	
Resolution	continuous		
Light transmission	79%or more		
Power consumption	<5V @100Ma		

1 Industrial Panel PC

2 Embedded System

3 Industrial Monitor

4 LCD Monitor Console

5 Rackmount Panel



**Industrial Monitor**

**12" Industrial TFT Panel Monitor**

12"

262K

400 cd/m<sup>2</sup>



**Order Information**

AT-IP12	12" Industrial TFT Panel Monitor 4:3
AT-IP12TS	12" Industrial TFT Panel Monitor, Touch Screen, RS232
AT-IP12TU	12" Industrial TFT Panel Monitor, Touch Screen, USB

**Option**

AT-IP-EXAV	AV Connector instead serie
------------	----------------------------

**Display**

Display Type	12.1" SVGA TFT LCD
Resolution	800 (H) x 600 (V)
Pixel Pitch	0.3075 (H) x 0.3075 (V) (mm)
Display Color	262k
Brightness	400 cd/m <sup>2</sup>
Contrast Ratio	500:1
Viewing Angle	L/R:140°, U/D:110°(V)
Response Time	35 (Tr+Tf) (ms)
Back Light MTBF	50,000 (hour)
Construction	Heavy duty steel chassis with VESA 75/100mm standard screw holes
OS Support	MS DOS, Windows 98/SE, Windows NT4.0, Windows 2000, Windows XP
Menu OSD	Yes
Control	on Frontbezel

**I/O**

Power Input	External 48WDC 12V power adapter
Audio input	Line-in
Video input	15 pin D-SUB, AV input (Optional)

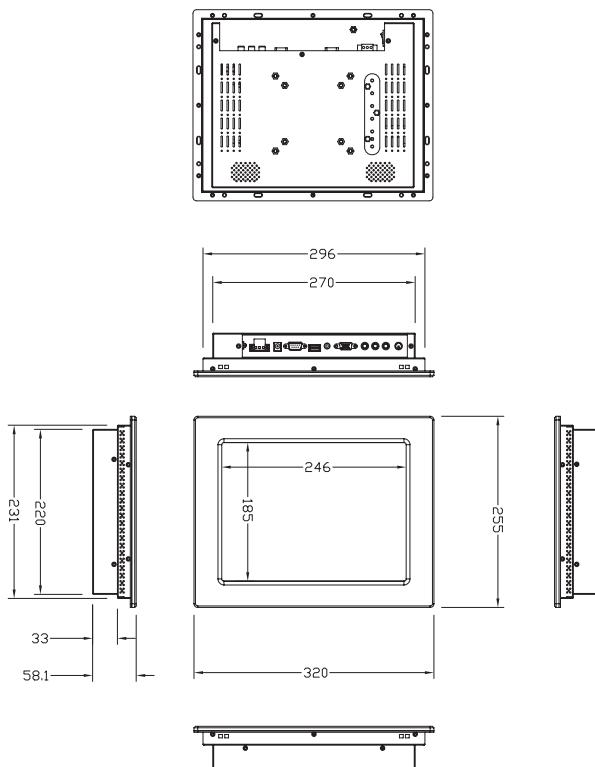
**Touch Screen (Optional)(AT-IP-12T)**

Type	Five-wire Analog resistive
Controller	RS-232 (AT-IP12TS) USB (AT-IP12TU)
Resolution	continuous
Light transmission	79%or more
Power consumption	<5V @100Ma

**Mechanical and Environmental**

Operating temperature	0 °C~ 45°C
Storage temperature	-20°C~70°C
Storage humidity	10% ~ 95%@40°C,Non-condensing
Dimensions	365 x 267 x 45.8mm

**DRAWING**







# Selection Guide

## 15" Industrial TFT Panel Monitor



	AT-IP15	AT-IP15TS	AT-IP15TU
<b>Specification</b>			
<b>Display</b>			
Display Type	15" XGA TFT LCD		
Resolution	1024 (H) x 768 (V)		
Pixel Pitch	0.297 (H) x 0.297 (V) (mm)		
Display Color	16M		
Brightness	250 cd/m <sup>2</sup>		
Contrast Ratio	450:1		
Viewing Angle	L/R:120°, U/D:100°		
Response Time	16 (Tr+Tf) (ms)		
Back Light MTBF	50,000 (hour)		
Construction	Aluminium chassis with VESA 75/ 100mm standard screw holes		
OS Support	MS DOS, Windows 98/SE, Windows NT4.0, Windows 2000, Windows XP		
Menu OSD	Yes		
Remote control	(Optional)		
<b>I/O</b>			
Power Input	External 48WDC 12V power adapter		
Audio input	Line-in		
Video input	15 pin D-SUB, AV input		
<b>Touch Screen</b>			
Type	Five-wire Analog resistive		
Controller	RS-232	USB	
Resolution	continuous		
Light transmission	79%or more		
Power consumption	<5V @100Ma		



**Industrial Monitor**

**15" Industrial TFT Panel Monitor**

15"

16M

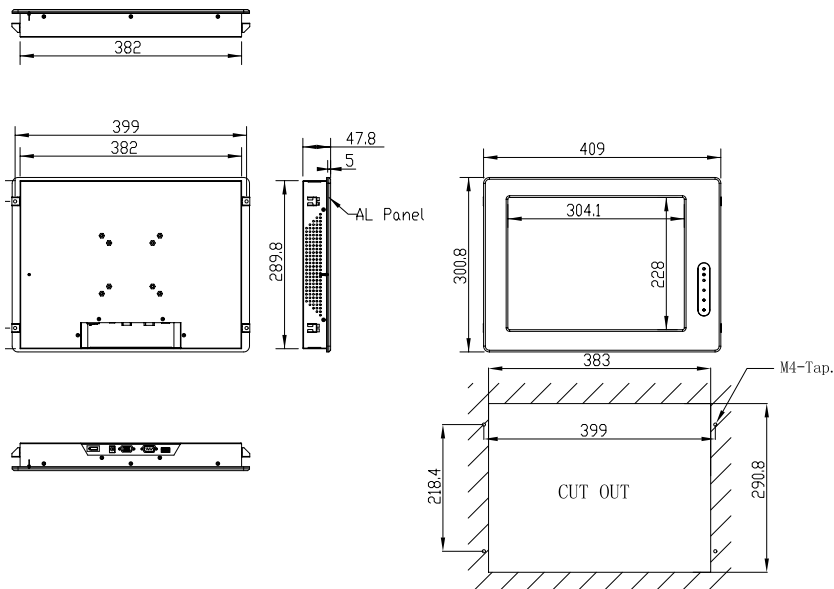
250 cd/m<sup>2</sup>



Display	
Display Type	15" XGA TFT LCD
Resolution	1024 (H) x 768 (V)
Pixel Pitch	0.297 (H) x 0.297 (V) (mm)
Display Color	16M
Brightness	250 cd/m <sup>2</sup>
Contrast Ratio	450:1
Viewing Angle	L/R:120°, U/D:100°
Response Time	16 (Tr+Tf) (ms)
Back Light MTBF	50,000 (hour)
Construction	Aluminium chassis with VESA 75/ 100mm standard screw holes
OS Support	MS DOS, Windows 98/SE, Windows NT4.0, Windows 2000, Windows XP
Menu OSD	Yes
Remote control	(Optional)
I/O	
Power Input	External 48WDC 12V power adapter
Audio input	Line-in
Video input	15 pin D-SUB, AV input (Optional)
Touch Screen (Optional) (AT-IP-15T)	
Type	Five-wire Analog resistive
Controller	RS-232 (AT-IP15TS) USB (AT-IP15TU)
Resolution	continuous
Light transmission	79%or more
Power consumption	<5V @100Ma
Mechanical and Environmental	
Operating temperature	0 °C~ 45°C(32°F~ 113°F)
Storage temperature	-20°C~60°C(-4°F~ 140°F)
Storage humidity	10% ~ 95%@40°C,Non-condensing
Vibration	10 ~ 150Hz, 0.15mm10 cycles 1G
Shock	30G peak acceleration (11 msec. duration)
Dimensions	409 x 300.8 x 47.8mm
Gross Weight	7.6 (kg)

Order Information	
AT-IP-15	15" Industrial TFT Panel Monitor 4:3
AT-IP-15TS	15" Industrial TFT Panel Monitor, Touch Screen, RS232
AT-IP-15TU	15" Industrial TFT Panel Monitor, Touch Screen, USB
Option	
AT-IP-EXAV	AV Connector instead serie

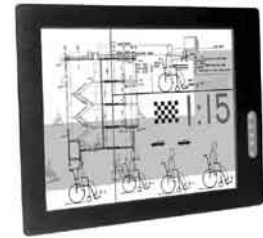
**DRAWING**





# Selection Guide

## 17" Industrial TFT Panel Monitor



	AT-IP17	AT-IP17TS	AT-IP17TU
<b>Specification</b>			
<b>Display</b>			
Display Type	17" SXGA TFT LCD		
Resolution	1280 (H) x 1024 (V)		
Pixel Pitch	0.264 (H) x 0.264 (V) (mm)		
Display Color	16M		
Brightness	300 cd/m <sup>2</sup>		
Contrast Ratio	700:1		
Viewing Angle	LR:160°, U/D:160°		
Response Time	8 (Tr+Tf) (ms)		
Back Light MTBF	50,000 (hour)		
Construction	Heavy duty steel chassis with VESA 75/100mm standard screw holes		
OS Support	MS DOS, Windows 98/SE, Windows NT4.0, Windows 2000, Windows XP		
Menu OSD	Yes		
Control	on Frontbezel		
<b>I/O</b>			
Power Input	External 48WDC 12V power adapter		
Audio input	Line-in		
Video input	15 pin D-SUB, AV input		
<b>Touch Screen</b>			
Type	Five-wire Analog resistive		
Controller	RS-232	USB	
Resolution	continuous		
Light transmission	79%or more		
Power consumption	<5V @100Ma		

1 Industrial Panel PC

2 Embedded System

3 Industrial Monitor

4 LCD Monitor Console

5 Rackmount Panel



**Industrial Monitor**

**17" Industrial TFT Panel Monitor**

17"

16M

300 cd/m<sup>2</sup>



**Order Information**

AT-IP17	17" Industrial TFT Panel Monitor 4:3
AT-IP17TS	17" Industrial TFT Panel Monitor, Touch Screen, RS232
AT-IP17TU	17" Industrial TFT Panel Monitor, Touch Screen, USB

**Option**

AT-IP-EXAV	AV Connector instead serie
------------	----------------------------

**Display**

Display Type	17" SXGA TFT LCD
Resolution	1280 (H) x 1024 (V)
Pixel Pitch	0.264 (H) x 0.264 (V) (mm)
Display Color	16M
Brightness	300 cd/m <sup>2</sup>
Contrast Ratio	700:1
Viewing Angle	LR:160°, U/D:160°
Response Time	8 (Tr+Tf) (ms)
Back Light MTBF	50,000 (hour)
Construction	Heavy duty steel chassis with VESA 75/100mm standard screw holes
OS Support	MS DOS, Windows 98/SE, Windows NT4.0, Windows 2000, Windows XP
Menu OSD	Yes
Control	on Frontbezel

**I/O**

Power Input	External 48WDC 12V power adapter
Audio input	Line-in
Video input	15 pin D-SUB, AV input (Optional)

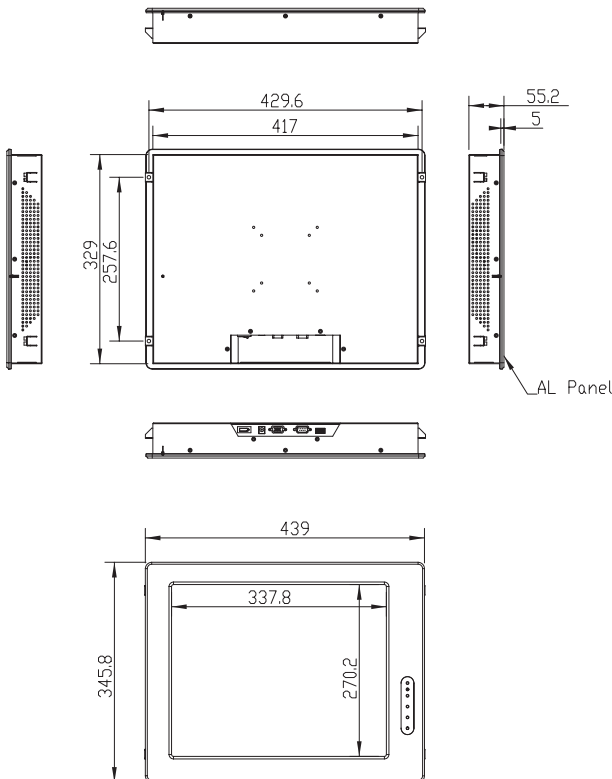
**Touch Screen (Optional)(AT-IP-17T)**

Type	Five-wire Analog resistive
Controller	RS-232 (AT-IP17TS) USB (AT-IP17TU)
Resolution	continuous
Light transmission	79%or more
Power consumption	<5V @100Ma

**Mechanical and Environmental**

Operating temperature	0 °C~ 45°C(32°F~ 113°F)
Storage temperature	-20°C~60°C(-4°F~ 140°F)
Storage humidity	10% ~ 95%@40°C,Non-condensing
Vibration	10 ~ 150Hz, 0.15mm10 cycles 1G
Shock	30G peak acceleration (11 msec. duration)
Dimensions	439 x 345.8x 55.2mm
Gross Weight	7.7 (kg)

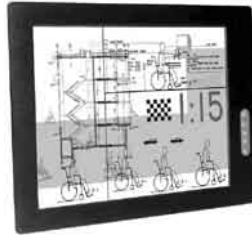
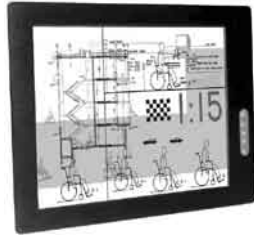
**DRAWING**





# Selection Guide

## 19" Industrial TFT Panel Monitor



	AT-IP19	AT-IP19TS	AT-IP19TU
<b>Specification</b>			
<b>Display</b>			
Display Type	19" SXGA TFT LCD		
Resolution	1280 (H) x 1024 (V)		
Pixel Pitch	0.294 (H) x 0.294 (V) (mm)		
Display Color	16M		
Brightness	300 cd/m <sup>2</sup>		
Contrast Ratio	700:1		
Viewing Angle	LR:130°, U/D:130°		
Response Time	8 (Tr+Tf) (ms)		
Back Light MTBF	50,000 (hour)		
Construction	Heavy duty steel chassis with VESA 75/100mm standard screw holes		
OS Support	MS DOS, Windows 98/SE, Windows NT4.0, Windows 2000, Windows XP		
Menu OSD	Yes		
Control	on Frontbezel		
<b>I/O</b>			
Power Input	External 48WDC 12V power adapter		
Audio input	Line-in		
Video input	15 pin D-SUB, AV input		
<b>Touch Screen</b>			
Type	Five-wire Analog resistive		
Controller	RS-232	USB	
Resolution	continuous		
Light transmission	79%or more		
Power consumption	<5V @100Ma		

1 Industrial Panel PC

2 Embedded System

3 Industrial Monitor

4 LCD Monitor Console

5 Rackmount Panel



**Industrial Monitor**

**19" Industrial TFT Panel Monitor**

19"

16M

300 cd/m<sup>2</sup>



**Order Information**

AT-IP-19	19" Industrial TFT Panel Monitor 4:3
AT-IP-19TS	19" Industrial TFT Panel Monitor, Touch Screen, RS232
AT-IP-19TU	19" Industrial TFT Panel Monitor, Touch Screen, USB

**Option**

AT-IP-EXAV	AV Connector instead serie
------------	----------------------------

**Display**

Display Type	19" SXGA TFT LCD
Resolution	1280 (H) x 1024 (V)
Pixel Pitch	0.294 (H) x 0.294 (V) (mm)
Display Color	16M
Brightness	300 cd/m <sup>2</sup>
Contrast Ratio	700:1
Viewing Angle	LR:130°, U/D:130°
Response Time	8 (Tr+Tf) (ms)
Back Light MTBF	50,000 (hour)
Construction	Heavy duty steel chassis with VESA 75/100mm standard screw holes
OS Support	MS DOS, Windows 98/SE, Windows NT4.0, Windows 2000, Windows XP
Menu OSD	Yes
Control	on Frontbezel

**I/O**

Power Input	External 48WDC 12V power adapter
Audio input	Line-in
Video input	15 pin D-SUB, AV input (Optional)

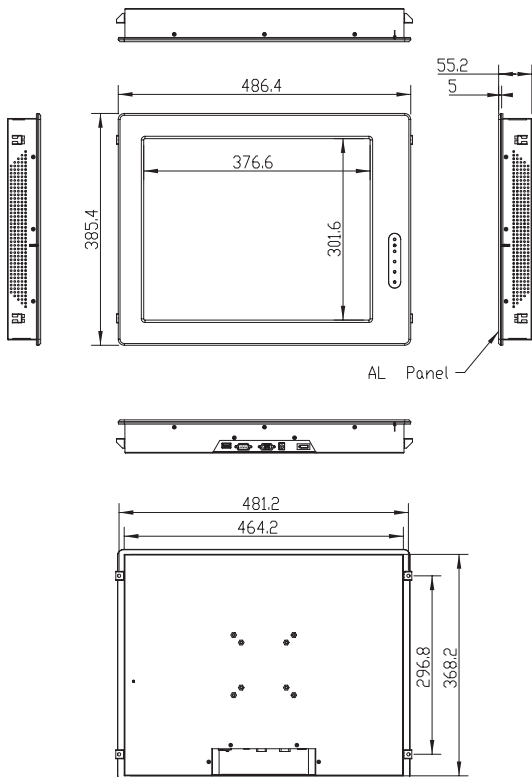
**Touch Screen (Optional)(AT-IP-19T)**

Type	Five-wire Analog resistive
Controller	RS-232 (AT-IP19TS) USB (AT-IP19TU)
Resolution	continuous
Light transmission	79%or more
Power consumption	<5V @100Ma

**Mechanical and Environmental**

Operating temperature	0 °C~ 45°C(32°F~ 113°F)
Storage temperature	-20°C~60°C(-4°F~ 140°F)
Storage humidity	10% ~ 95%@40°C,Non-condensing
Vibration	10 ~ 150Hz, 0.15mm10 cycles 1G
Shock	30G peak acceleration (11 msec. duration)
External Colors	Black (other colors depend on customer requirement)
Dimensions	486.4 x 385.4 x 55.2mm
Gross Weight	7.9 (kg)

**DRAWING**




**Industrial Monitor**
**Panel Kit**

	AT-PK-07	AT-PK-08	AT-PK-10	AT-PK-12	AT-PK-15	AT-PK-17	AT-PK-19
Construction	Panel Kits - Panel 16 : 9	Panel Kits - Panel 4 : 3	Panel Kits - Panel 4 : 3	Panel Kits - Panel 4 : 3	Panel Kits - Panel 4 : 3	Panel Kits - Panel 4 : 3	Panel Kits - Panel 4 : 3
Display Size	7" TFT Active Matrix Panel	8,4" TFT Active Matrix Panel	10.4" TFT Active Matrix Panel	12.1" TFT Active Matrix Panel	815" TFT Active Matrix Panel	17" TFT Active Matrix Panel	19" TFT Active Matrix Panel
Panel Resolution	800 x 480	800 x 600 SVGA	800 x 600 SVGA	800 x 600 SVGA	1024 x 768 XGA	1280 x 1024 SXGA	1280 x 1024 SXGA
Display Color	12 bit	18 bit	18 bit	18 bit	24 bit	24 bit	24 bit
Brightness	220 cd/m <sup>2</sup>	320 cd/m <sup>2</sup>	220 cd/m <sup>2</sup>	300 cd/m <sup>2</sup>	250 cd/m <sup>2</sup>	300 cd/m <sup>2</sup>	350 cd/m <sup>2</sup>
Contrast Ratio	300:1	300:1	400:1	200:1	500:1	450:1	450:1
Pixel Pitch	0.107 x 0.370	0.2535 x 0.2535	0.264 x 0.264	0.3075 x 0.3075	0.297 x 0.297	0.264 x 0.264	0.294 x 0.294
Viewing Angle	L/R 65° / 65° , U/D 40° / 65°	L/R 60° / 60° , U/D 65° / 35°	L/R 60° / 60° , U/D 65° / 35°	L/R 60° / 60° , U/D 65° / 35°	L/R 70° / 70° , U/D 70° / 70°	L/R 70° / 70° , U/D 70° / 70°	L/R 70° / 70° , U/D 70° / 70°
Touch Screen Optional	Yes	Yes	Yes	Yes	Yes	Yes	Yes
Backlight MTBF	20,000 h	20,000 h	20,000 h	20,000 h	32,000 h	50,000 h	50,000 h
Touchscreen, RS232	optional	optional	optional	optional	optional	optional	optional
Touchscreen, USB	optional	optional	optional	optional	optional	optional	optional
AV	optional	optional	optional	optional	optional	optional	optional

**Order Information**

AT-PK07TS	7" Open Frame with Touchscreen, RS232
AT-PK07TU	7" Open Frame with Touchscreen, USB
AT-PK08TS	8" Open Frame with Touchscreen, RS232
AT-PK08TU	8" Open Frame with Touchscreen, USB
AT-PK10TS	10" Open Frame with Touchscreen, RS232
AT-PK10TU	10" Open Frame with Touchscreen, USB
AT-PK12TS	12" Open Frame with Touchscreen, RS232
AT-PK12TU	12" Open Frame with Touchscreen, USB
AT-PK15TS	15" Open Frame with Touchscreen, RS232
AT-PK15TU	15" Open Frame with Touchscreen, USB
AT-PK17TS	17" Open Frame with Touchscreen, RS232
AT-PK17TU	17" Open Frame with Touchscreen, USB
AT-PK19TS	19" Open Frame with Touchscreen, RS232
AT-PK19TU	19" Open Frame with Touchscreen, USB

**Option**

AT-PK-EXAV	AV Connector instead serie
------------	----------------------------

**1**  
Industrial Panel PC

**2**  
Embedded System

**3**  
Industrial Monitor

**4**  
LCD Monitor Console

**5**  
Rackmount Panel







# LCD Monitor Console

---

>> **CB Series**  
Selection Guide  
Product Specification

>> **CS Series**  
Selection Guide  
Product Specification

>> **CD Series**  
Selection Guide  
Product Specification

**LCD Monitor Console**

# Selection Guide

## CB Series



	AT-CB15P01	AT-CB15P08	AT-CB17P01	AT-CB17P08
<b>System</b>				
Number of Ports	1	8	1	8
Display Size	15"		17"	
Panel Type	"TFT LCD panel display with built-in back light protection function"			
Resolution	XGA 1024x768		SXGA 1280 x 1024	
Brightness	250 cd/m <sup>2</sup>		300 cd/m <sup>2</sup>	
Contrast Ratio	500:1		800:1	
Viewing Angle	L/R 140° U/D 140°			
Display Color	16.2M (RGB 6-bit)		16.7M (RGB 6-bit)	
Material	Heavy-duty steel 1.2mm SECC			
Color	Black			
Weight	14kg			
Dimensions(WxDxH)	440 x 492 x 44mm 17.3" x 19.4" x 1.7"		440 x 550 x 44mm 17.3" x 21.6" x 1.7"	
Security Lock	Drawer double-lock for system security			
Drawer Design	Heavy-loading slide rail with full extension Total drawer travel distance: 385mm (15.2)			
Keyboard	Cherry PS/2 84 keys keyboard with trackball			
Scanning Frequencies	Vsync 60~75 kHz Hsync 30~80 kHz			
Pixel Pitch (HxV)	0.264 x 0.264mm			
LCD life	50000 hrs for backlights			
Screen Protection	Anti-Glare Tempered glass protection to LCD screen			
Interface	Analog RGB input, DVI input optional (LKD-171X series)			
Connectors	VGA, PS/2 keyboard, and male PS/2 mouse			
Power Supply	Built-in industrial level Auto-switching power supply, Adaptor / DC PSU optional			
Input	90 to 264 VAC(24V/48V DC Optional)			
Output	12VDC @ 25A			
<b>Power Consumption</b>				
Typical	16W	21W	37W	42W
Max	19W	24W	40W	45W
<b>KVM Switch</b>				
KVM switch control	Front panel switch Hotkey & OSD control		Front panel switch Hotkey & OSD control	

LCD Monitor Console

CB Series



- ✓ Saving Rack Space from 10U to 1U
- ✓ EU/Japan confirmed mechanical design
- ✓ AUO A-grade LCD panel
- ✓ Cherry Trackball Keyboard
- ✓ Built-in PSU as a compact design
- ✓ LCD power saving micro-switch
- ✓ Drawer double-lock for system security
- ✓ Dedicated hotkey mode and OSD keys
- ✓ Adapt to 600mm to 1000mm depth cabinets

**Power Consumption**

Typical	16W (AT-CB15P01), 21W (AT-CB15P08), 37W (AT-CB17P01), 42W (AT-CB17P08)
Max	19W (AT-CB15P01), 24W (AT-CB15P08), 40W (AT-CB17P01), 45W (AT-CB17P08)

**Operation Environment**

Temperature	0°C to 50°C
Humidity	20% to 90% @ 40°C, noncondensing
Vibration	10 to 58Hz, ±0.15mm; 58 to 500 Hz, 2G
Agency Approvals	CE/FCC Part15, Class A; EN60950 Safety

**Order information**

AT-CB15P01	1U, 15", Single Rail LCD Console, w/ 1 Port KVM switch
AT-CB15P08	1U, 15", Single Rail LCD Console, w/ 8 Port KVM switch
AT-CB17P01	1U, 17", Single Rail LCD Console, w/ 1 Port KVM switch
AT-CB17P08	1U, 17", Single Rail LCD Console, w/ 8 Port KVM switch

**Option**

AT-CB-EXDVI	DVI insteadt serie
AT-CB-EX180U	Signal Cable 1.8m, USB
AT-CB-EX180PS	Signal Cable 1.8m, PS/2

**System**

Number of Ports	1 (AT-CB15P01, ATCB17P01) 8 (AT-CB15P08, ATCB17P08)
Display Size	15", 17"
Panel Type	TFT LCD panel display with built-in back light protection function
Resolution	XGA 1024x768 (AT-CB15P01, AT-CB15P08), SXGA 1280 x 1024 (AT-CB17P01, AT-CB17P08)
Brightness	250cd/m <sup>2</sup> (AT-CB15P01, AT-CB15P08), 300cd/m <sup>2</sup> (AT-CB17P01, AT-CB17P08)
Contrast Ratio	500:1(15"), 800:1 (17")
Viewing Angle	L/R 70°/70° U/D 70°/70°
Display Color	16.2M (RGB 6-bit) (15"), 16.7M (RGB 6-bit) (17")
Material	Heavy-duty steel 1.2mm SECC
Color	Black
Weight	14kg
Dimensions(WxDxH)	440 x 492 x 44mm (AT-CB15P01, AT-CB15P08) 440 x 550 x 44mm (AT-CB17P01, AT-CB17P08)
Security Lock	Drawer double-lock for system security
Drawer Design	Heavy-loading slide rail with full extension Total drawer travel distance: 385mm (15.2)
Keyboard	Cherry PS/2 84 keys keyboard with trackball
Scanning Frequencies	Vsync 60~75 kHz Hsync 30~80 kHz
Pixel Pitch (HxV)	0.264 x 0.264mm
LCD life	50000 hrs for backlights
Screen Protection	Anti-Glare Tempered glass protection to LCD screen
Interface	Analog RGB input, DVI input optional
Connectors	VGA, PS/2 keyboard, and male PS/2 mouse
Power Supply	Built-in industrial level Auto-switching power supply, Adaptor / DC PSU optional
Input	90 to 264 VAC(24V/48V DC Optional)
Output	12VDC @ 25A



**LCD Monitor Console**

# Selection Guide

## CS Series



	AT-CS15P01	AT-CS15P08	AT-CS15P16	AT-CS17P01	AT-CS17P08	AT-CS17P16	AT-CS19P01	AT-CS19P08	AT-CS19P16	AT-CS20P01
Number of ports	1	8	16	1	8	16	1	8	16	1
Display Size	15"			17"			19"			20"
Panel Type	Active Matrix TFT LCD									
Resolution Capabilities	Maximum Resolution up to 1024 x 768 (XGA)			Maximum Resolution up to 1280 x 1024 (SXGA)						Maximum Resolution up to 1600 x 1200 (UXGA)
Pixel Pitch	Supports 0.297 mm x 0.297 mm			Supports 0.264 mm x 0.264 mm			Supports 0.098 mm x 0.294 mm			Supports 0.255 mm x 0.255 mm
Viewing Angle (CR>10)	L/R 130° (Typ)			L/R view 60° ~70° (Typ)			L/R 140° (Typ)			L/R 85° (Typ)
	U/D 100° (Typ)			U/D View 45° ~50° (Typ)			U/D 140° (Typ)			U/Down 85° (Typ)
Contrast Ratio	400:1			450:1			500:1			1000:1
Brightness	White 250 cd/m <sup>2</sup> (Center 1 point Typ)									300 cd/m <sup>2</sup>
Back Light	Dual Lamps for Back Light			Four Lamps for Back Light						Six Lamps for Back Light
Supported Color	16.7M Colors (6-bit with FRC)									16.7M Colors (RGB 8-bit data)
Response Time	Rising Time 5 ms, Decay Time 11 ms			Rising Time 2 ms, Decay Time 14 ms			Rising Time 2 ms, Decay Time 10 ms			Rising Time 15 ms, Falling Time 7 ms
Operating System	Dos, Windows (3.1, 9x, 2000, NT4, ME, XP, 2003 Server), Linux, Novell 3.12-6, HP UX, SUN									
Multi Platform	Support PS/2 and USB									
System Cables	VGA + PS/2 x 2 cable or VGA + USB x 1 cable									
Keyboard Mouse	106 key PS/2 keyboard with touch pad									
Sync	45 ~ 80 KHz									
Power Source	100 ~ 240 VAC input									
Power Consumption	16 W, 10.41 W for Panel			25 W, 19.05 W for Panel			25 W, 21.05 W for Panel			50W, 45W for Panel
Certification	CE / FCC, UL / CUL / C-Tick									



**LCD Monitor Console**

**CS Series**



- ✓ Single Rail easy to install and use
- ✓ Support 17 various keyboard languages
- ✓ Bright Active Matrix TFT Display
- ✓ OSD function (On Screen Display) for LCD display
- ✓ Durable keyboards
- ✓ Panel protected by tempered glass
- ✓ Support USB interface (optional)
- ✓ Audio Function (optional)
- ✓ DC power (optional)
- ✓ Support DVI (optional)

Power Consumption	16 W, 10.41 W for Panel (15")
	25 W, 19.05 W for Panel (17")
	25 W, 21.05 W for Panel (19")
	50W, 45W for Panel (20.1")
Dimension	482 x 447.5 x 44 mm (AT-CS15P01, AT-CS17P01)
	592 x 447.5 x 44 mm (AT-CS15P08, AT-CS15P16, AT-CS17P08, AT-CS17P16)
	532 x 447.5 x 44 mm (AT-CS19P01)
	447 x 642 x 44 mm (AT-CS19P08, AT-CS19P16)
Weight	448.7 x 608.4 x 44 mm (AT-CS20P01)
	15.8 kg (AT-CS15-P01)
Weight	17 kg (AT-CS15P08, AT-CS15P16, AT-CS17P01, AT-CS17P08, AT-CS17P16, AT-CS19P01, AT-CS19P08, AT-CS19P16, AT-CS20P01)

Mechanical Specifications	
Temperature	Operate 0° ~ 50° C
Humidity	Storage -20° ~ 60° 10% ~ 90% RH
Chassis Construction	Heavy duty steel materials
Certification	CE / FCC, UL / CUL / C-Tick, GOST

Order Information	
AT-CS15P01	1U, 15", Single Rail LCD Console, w/ 1 Port KVM switch
AT-CS15P08	1U, 15", Single Rail LCD Console, w/ 8 Port KVM switch
AT-CS15P16	1U, 15", Single Rail LCD Console, w/ 16 Port KVM switch
AT-CS17P01	1U, 17", Single Rail LCD Console, w/1 Port KVM switch
AT-CS17P08	1U, 17", Single Rail LCD Console, w/ 8 Port KVM switch
AT-CS17P16	1U, 17", Single Rail LCD Console, w/ 16 Port KVM switch
AT-CS19P01	1U, 19", Single Rail LCD Console, w/ 1 Port KVM switch
AT-CS19P08	1U, 19", Single Rail LCD Console, w/ 8 Port KVM switch
AT-CS19P16	1U, 19", Single Rail LCD Console, w/ 16 Port KVM switch
AT-CS20P01	1U, 20", Single Rail LCD Console, w/ 1 Port KVM switch

Option	
AT-CSEXSC180U	Signal Cable 1.8m, USB
AT-CSEXSC180PS	Signal Cable 1.8m, PS/2

System	
Number of ports	1 (AT-CS15P01, AT-CS17P01, AT-CS19P01, AT-CS20P01) 8 (AT-CS15P08, AT-CS17P08, AT-CS19P08) 16 (AT-CS15P16, AT-CS17P16, AT-CS19P16)
Display Size	15" 17" 19" 20.1"
Panel Type	Active Matrix TFT LCD
Resolution Capabilities	Maximum Resolution up to 1024 x 768 (XGA) (15") Maximum Resolution up to 1280 x 1024 (SXGA) (17", 19") Maximum Resolution up to 1600 x 1200 (UXGA) (20")
Pixel Pitch	Supports 0.297 mm x 0.297 mm (15") Supports 0.264 mm x 0.264 mm (17") Supports 0.098 mm x 0.294 mm (19") Supports 0.255 mm x 0.255 mm (20")
Viewing Angle (CR>10)	L/R 130°, U/D 100° (15") L/R 130°, U/D 105° (17") L/R 140°, U/D 140° (19") L/R 85°, U/D 85° (20.1")
Contrast Ratio	400:1 (15") 450:1 (17") 500:1 (19") 1000:1 (20.1")
Brightness	White 250 cd/m (Center 1 point Typ) (15", 17", 19") 300 cd/m <sup>2</sup> (20.1")
Back Light	Dual Lamps for Back Light (15") Four Lamps for Back Light (17", 19") Six Lamps for Back Light (20.1")
Supported Color	16.7M Colors (6-bit with FRC) (15", 17", 19") 16.7M Colors (RGB 8-bit data) (20.1")
Response Time	Rising Time 5 ms, Decay Time 11 ms (15") Rising Time 2 ms, Decay Time 14 ms (17") Rising Time 2 ms, Decay Time 10 ms (19") Rising Time 15 ms, Falling Time 7 ms (20.1")
Operating System	Dos, Windows (3.1, 9x, 2000, NT4, ME, XP, 2003 Server) Linux, Novell 3.12-6, HP UX, SUN
Multi Platform	Support PS/2 and USB
System Cables	VGA + PS/2 x 2 cable or VGA + USB x 1 cable
Keyboard Mouse	106 key PS/2 keyboard with touch pad
Sync	45 ~ 80 KHz
Power Source	100 ~ 240 VAC input

**1** Industrial Panel PC  
**2** Embedded System  
**3** Industrial Monitor  
**4** LCD Monitor Console  
**5** Rackmount Panel

**LCD Monitor Console**

# Selection Guide

## CD Series



	AT-CD15P01	AT-CD15P08	AT-CD15P16	AT-CD17P01	AT-CD17P08	AT-CD17P16	AT-CD19P01	AT-CD19P08	AT-CD19P16
Number of ports	1	8	16	1	8	16	1	8	6
Display Size	15"			17"			19"		
Panel Type	Active Matrix TFT LCD			Active Matrix TFT LCD			Active Matrix TFT LCD		
Resolution	Maximum Resolution up to 1024 x 768 (XGA)			Maximum Resolution up to 1280 x 1024 (SXGA)			Maximum Resolution up to 1280 x 1024 (SXGA)		
Pixel Pitch	Supports 0.297 mm x 0.297 mm			Supports 0.264 mm x 0.264 mm			Supports 0.098 mm x 0.294 mm		
Viewing Angle (CR>10)	L/R view 130° (Typ) U/D View 100° (Typ)			L/R view 60° ~70° (Typ) U/D View 45° ~60° (Typ)			L/R view 140° (Typ) U/D View 140° (Typ)		
Contrast Ratio	400:1			450:1			500:1		
Brightness	White 250 cd/m <sup>2</sup> (Center 1 point Typ)								
Back Light	Dual Lamps			Four Lamps			Four Lamps		
Supported Color	16M Colors (6-bit with FRC)			16.2M Colors (6-bit with FRC)					
Response Time	Rising Time 5 ms, Decay Time 11 ms			Rising Time 2 ms, Decay Time 14 ms			Rising Time 2 ms, Decay Time 10 ms		
Operating System	Dos, Windows (3.1, 9x, 2000, NT4, ME, XP, 2003 Server) Linux, Novell 3.12-6, HP UX, SUN								
Multi Platform	Support PS/2 and USB								
System Cables	VGA + PS/2 x 2 cable or VGA + USB x 1 cable								
Keyboard Mouse	106 key PS/2 keyboard with touch pad								
Sync	45 ~ 80 KHz								
Power Source	100 ~ 240 VAC input								
Power Consumption	16 W, 10.41 W for Panel			25 W, 19.05 W for Panel			25 W, 21.05 W for Panel		
Chassis Construction	Heavy duty steel materials								
Certification	CE / FCC, UL / CUL / C-Tick								

**LCD Monitor Console**

**CD Series**



- ✓ Dual Rails for independent Panel and Keyboard tray
- ✓ Hidden handle for Keyboard tray
- ✓ Support Sun native resolution
- ✓ Support 17 various keyboard languages
- ✓ Bright Active Matrix TFT Display
- ✓ OSD function (On Screen Display) for LCD display
- ✓ Durable keyboards and Panel protected by tempered glass
- ✓ Audio Function (optional)
- ✓ DC power (optional)

Dimension	449.8 x 443.4 x 44 mm (AT-CD15P01, AT-CD17P01)
	569.8 x 443.4 x 44 mm (AT-CD15P08, AT-CD15P16, AT-CD17P08, AT-CD17P16)
	511.3 x 443.4 x 44 mm (AT-CD19P01)
	661.3 x 443.4 x 44 mm (AT-CD19P08, AT-19P16)
Weight	15.2 kg (AT-CD15P01)
	17 kg (AT-CD15P08, AT-CD15P16, AT-CD17P01, AT-CD17P08, AT-CD17P16, AT-CD19P01)
	18 KG (AT-CD19P08, AT-CD19P16)

Mechanical Specifications	
Temperature	Operate 0° ~ 50° C Storage -20° ~ 60° C
Humidity	10% ~ 90% RH
Chassis Construction	Heavy duty steel materials
Certification	CE / FCC, UL / CUL / C-Tick

Order Information	
AT-CD15P01	1U, 15", Dual Rail LCD Console, w/ 1 Port KVM switch
AT-CD15P08	1U, 15", Dual Rail LCD Console, w/ 8 Port KVM switch
AT-CD15P16	1U, 15", Dual Rail LCD Console, w/ 16 Port KVM switch
AT-CD17P01	1U, 17", Dual Rail LCD Console, w/ 1 Port KVM switch
AT-CD17P08	1U, 17", Dual Rail LCD Console, w/ 8 Port KVM switch
AT-CD17P16	1U, 17", Dual Rail LCD Console, w/ 16 Port KVM switch
AT-CD19P01	1U, 19", Dual Rail LCD Console, w/ 1 Port KVM switch
AT-CD19P08	1U, 19", Dual Rail LCD Console, w/ 8 Port KVM switch
AT-CD19P16	1U, 19", Dual Rail LCD Console, w/ 16 Port KVM switch

Option	
AT-CD-EXSC180U	Signal Cable 1.8m, USB
AT-CD-EXSC180PS	Signal Cable 1.8m, PS/2

System	
Number of ports	1 (AT-CD15P01, AT-CD17P01, AT-CD19P01) 8 (AT-CD15P08, AT-CD17P08, AT-CD19P08) 16 (AT-CD15P16, AT-CD17P16, AT-CD19P16)
Display Size	15" 17" 19"
Panel Type	Active Matrix TFT LCD
Resolution Capabilities	Maximum Resolution up to 1024 x 768 (XGA) (15") Maximum Resolution up to 1280 x 1024 (SXGA) (17", 19")
Pixel Pitch	Supports 0.297 mm x 0.297 mm (15") Supports 0.264 mm x 0.264 mm (17", 19")
Viewing Angle (CR>10)	L/R 130°, U/D 100° (15") L/R 130°, U/D 105° (17") L/R 140°, U/D 140° (19")
Contrast Ratio	400:1 (15") 450:1 (17") 500:1 (19")
Brightness	White 250 cd/m <sup>2</sup> (Center 1 point Typ)
Back Light	Dual Lamps for Back Light (15") Four Lamps for Back Light (17", 19")
Supported Color	16M Colors (6-bit with FRC) (15") 16.2M Colors (6-bit with FRC) (17", 19")
Response Time	Rising Time 5 ms, Decay Time 11 ms (15") Rising Time 2 ms, Decay Time 14 ms (17") Rising Time 2 ms, Decay Time 10 ms (19")
Operating System	Dos, Windows (3.1, 9x, 2000, NT4, ME, XP, 2003 Server) Linux, Novell 3.12-6, HP UX, SUN
Multi Platform	Support PS/2 and USB
System Cables	VGA + PS/2 x 2 cable
Keyboard Mouse	106 key PS/2 keyboard with touch pad
Sync	45 ~ 80 KHz
Power Source	100 ~ 240 VAC input
Power Consumption	16 W, 10.41 W for Panel (15") 25 W, 19.05 W for Panel (17") 25 W, 21.05 W for Panel (19")

**1** Industrial Panel PC  
**2** Embedded System  
**3** Industrial Monitor  
**4** LCD Monitor Console  
**5** Rackmount Panel







# Rackmount Panel

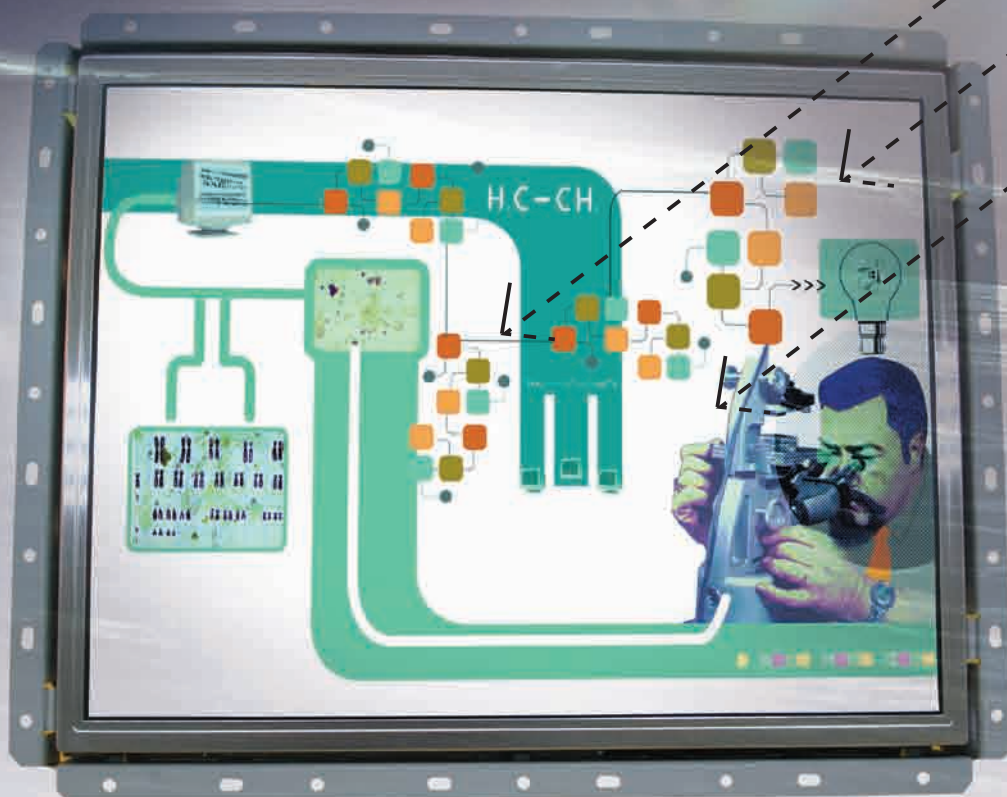
---

>> RP Series  
Product Specification

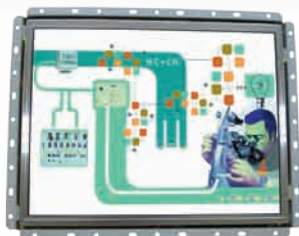

**Rackmount Panel**
**RP Series**


Model Name	AT-RP15	AT-RP17	AT-RP19
<b>System</b>			
Dimension	482.6x354.6x64 mm	482.6x354.6x64 mm	482.6x398.6x64 mm
Gross Weight	14.7 Kg	15.2 Kg	18.2 Kg
Display Size	15"	17"	19"
Panel Type	Active Matrix TFT LCD		
Resolution	1024 x 768 (XGA)	1280 x 1024 (SXGA)	1280 x 1024 (SXGA)
Pixel Pitch	0.297 mm x 0.297 mm	0.264 mm x 0.264 mm	0.098 mm x 0.294 mm
Contrast Ratio	400:1	450:1	500:1
Viewing Angle (CR>10)	Right-Left view 130° (Typ) Up-Down View 100° (Typ)	Right-Left view 60° ~ 70° (Typ) Up-Down View 45° ~ 60° (Typ)	Right-Left view 140° (Typ) Up-Down View 140° (Typ)
Brightness	White 250 cd/m <sup>2</sup>		
Back Light	Dual Lamps for Back Light	Four Lamps for Back Light	
Supported Colors	16M Colors	16.2M Colors	
Response Time	Rising Time 5 ms, Decay Time 11 ms	Rising Time 2 ms, Decay Time 14 ms	Rising Time 2 ms, Decay Time 10 ms
System Cables	VGA cable / DVI cable		
Sync	45 ~ 80 KHz		
Power Source	100 ~ 240 VAC input	100 ~ 240 VAC input	100 ~ 240 VAC input
Power Consumption	10.41 W	19.05 W	21.05 W
<b>Mechanical Specifications</b>			
Temperature	Operate 0° ~ 50° C Storage -20° ~ 60° C		
Humidity	10% ~ 90% RH		
Chassis Construction	Heavy duty steel materials		
Touch Panel (optional)	5 wires resistive USB interface / RS232 interface		
<b>Order Information</b>			
AT-RP15	15" Wallmount Panel		
AT-RP15TS	15" Wallmount Panel, Touchscreen, RS232		
AT-RP15TU	15" Wallmount Panel, Touchscreen, USB		
AT-RP17	17" Wallmount Panel		
AT-RP17TS	17" Wallmount Panel, Touchscreen, RS232		
AT-RP17TU	17" Wallmount Panel, Touchscreen, USB		
AT-RP19	19" Wallmount Panel		
AT-RP19TS	19" Wallmount Panel, Touchscreen, RS232		
AT-RP19TU	19" Wallmount Panel, Touchscreen, USB		

# Much Brighter than Sunlight



Sunlight Readable Open Frame Monitor



## Features:

- Sunlight readable color TFT-LCD module
- High contrast ratio:500:1 (Typical)
- Ultrahigh brightness:1000-1700cd/m<sup>2</sup> (Typical)
- SXGA 1280(H) x 1024(V) resolution



[www.aktivatech.com](http://www.aktivatech.com)



**AKTIVATECH LTD.**

6F, No.9, Lane 60, Sec. 3, Jincheng Road,  
Tucheng City, Taipei Country  
Taiwan, R.O.C.

台北縣土城市金城路60巷9號6樓

Tel: +886-2-8261-0597

Fax: +886-2-8261-0659

[office@aktivatech.com](mailto:office@aktivatech.com)

Distribution by

