



PREMIER
INDUSTRIAL

Premier Computer Handels GmbH
Wöhlerstrasse 6
D-22113 Hamburg (Germany)

Tel: +49 (0)40 736161-0
Fax: +49 (0)40 736161-33

office@premiercomputer.de
www.premiercomputer.de



PREMIER
COMPUTER

INDUSTRIAL PC



Panel PC



HMI



Display



Box PC



Accessory



Panel PC



Rugged Panel PC

APC-3081 / APC-3121	1-01
---------------------	------

Stainless-Steel Panel PC

APC-3X91 Series	1-05
APC-3X92 Series	1-09
APC-3X97A Series	1-13
APC-3X98A Series	1-17
APC-3X82/3X83 Series	1-21
APC-3X84/3X85 Series	1-25

Industrial Panel PC

APC-3X17A Series	1-29
APC-3228(A)	1-33
APC-3X15 Series	1-37
APC-3X14 Series	1-41
APC-3X64 Series	1-45

HMI



PC Based

AHM-6XX7A Series	2-01
AHM-6XX8 Series	2-07
AHM-6XX6A Series	2-11

RISC Based

AHM-6XX0 Series	2-15
-----------------	------

New Open Frame HMI

OPC-5XX7 Series	2-19
-----------------	------

Display



IP 67 Waterproof Display

ADP-1XX7 Series	3-01
-----------------	------

Stainless Steel Display

ADP-1XX3 Series	3-05
ADP-1XX6 Series	3-09

High Brightness Display

ADP-1XX5A Series	3-13
------------------	------

Industrial Display

ADP-1XX4 Series	3-17
ADP-1XX1(A) Series	3-21

Open Frame Display

OPD-1XX6(A) Series	3-25
--------------------	------

Box PC



IP 67 Waterproof

ACS-2701A	4-01
-----------	------

Slim Type Box PC

ACS-2110	4-05
ACS-2906/ACS-2907	4-09
ACS-2663A	4-13

Fanless PCI-Expansion Box PC

ACS-266X Series	4-17
ACS-267XA Series	4-21
ACS-2675C	4-25

IP 67 Adaptor

APW-4206	4-29
----------	------

Accessory



Power Supply	5-01
--------------	------

Industrial DRAM Module Series	5-03
-------------------------------	------

Flash Series	5-04
--------------	------

Standard 2.5" HDD Tray Series	5-05
-------------------------------	------

Converter Board Series	5-06
------------------------	------

VESA Mounting Stand Series	5-06
----------------------------	------



APC Product Line



Panel PC APC Product Line

This panel PCs deliver exceptional computing performance and are designed for use in harsh industrial environments. These include the IP 67 rated waterproof and dustproof Rugged series panel PCs, as well as the Stainless Steel series panel PCs that are rated up to IP 65 on 5 or 6 sides, and are designed to be water-resistant, dust-resistant, and easy to clean.

For the traditional industrial panel PC, Our products offer NEMA 4/IP 65-ratings on the front panel along with optional PCI/PCIe expansion slots and DVD/CD drive. With the extensive range of display sizes and designs available, We will provide you with flawless products that are sturdy, expandable, and easy to manage to help you rapidly expand your business.



Rugged Series

The ruggedized aluminum die-cast fanless chassis offers Wi-Fi, Bluetooth, 3.5G modem and GPS module as options and is suitable for use in freight and transportation applications.



Stainless Steel Series

The Stainless Steel series is strong, reliable, and available with normal bezels or flat bezels. resistive, GFG, capacitive or projected capacitive touch screens are available as options. The entire series utilizes a fanless design and supports from a low-power Intel Atom to Socket P Core 2 Duo processor platform.



Industrial Series

We offer industrial panel PCs with a steel casing in either fan-cooled or fanless designs. The products can be powered using an AC power supply or a wide range of DC power inputs. PCI/PCIe expansion slots and additional CD/DVD drive are available for some models. There are options of choosing stainless steel or aluminum instead of steel for the front bezel.

APC-3081/APC-3121

Rugged Panel PC/Intel Atom Z5XX



APC-3081/APC-3121

APC-3081/APC-3121

Overlay Resistive Touch

IP 65 / IP 67



APC-3081



APC-3121

Features



Rugged, Aluminum Die Casting Housing



High Brightness 800 nits for Option



Wide Range Working Temperature -20~70 °C Available



Adjustable Mounting Kit



Wi-Fi, Bluetooth, 3.5G, GPS Module for Option



APC-3081/APC-3121

Rugged Panel PC

Specifications

Model No.	APC-3081	APC-3121 Q1/2012
System		
Processor	Intel Atom Z510 1.1 GHz, optional Z530 1.6 GHz	Intel Atom Z510P 1.1 GHz, optional Z530P 1.6 GHz
System Memory	1 GB DDR2 400 MHz on board	1 GB DDR2 400 MHz on board
System Chipset	Intel US15W	Intel US15WP
External I/O Port	<ul style="list-style-type: none"> • 2 x USB ports • 1 x LAN • 1 x COM port • 1 x DC power input 	<ul style="list-style-type: none"> • 4 x USB 2.0 • 1 x LAN • 1 x RS232 (COM1) • 1 x RS485 (COM2) • 1X3 Pin terminal black DC power input
Solid Storage Disk	<ul style="list-style-type: none"> • 1 x 2.5" SATA HDD • 1 x CF Slot (on board) 	<ul style="list-style-type: none"> • 1 x 2.5" SATA HDD • mSATA Device
Expansion Slots	None	
OS Support	Windows XP, XP Embedded, Win CE 5.0	Windows XP, XP Professional, XP Embedded, Windows Embedded Standard 7
LCD		
Display Type	8" TFT-LCD	12.1" TFT-LCD
Max. Resolution	800x600	1024x768
Max. Color	262K	262K
Luminance (cd/m ²)	350, 800 for option	500
View Angle	H:140° / V:100°	H:160° / V:140°
Backlight Lifetime	40,000 hrs	50,000 hrs
Touch Screen		
Type	Resistive touch (Optional)	Overlay Resistive
Light Transmission	80%	
Power Supply		
Power Input	DC 9~32V	
Mechanical		
Construction	Aluminum die casting housing	
IP Rating	IP 65 / IP 67 for option	Front Panel IP 65, Totally IP 54
Mounting	VESA 75x75 Mount	
Dimension	251(W)x201(H)x64(D) mm	328.6(W)x260.5(H)x74.2(D) mm
Environmental		
Operating Temperature	0~50 °C, /-20~70 °C (Wide temperature model)	0~50 °C
Storage Temperature	-20~60 °C, /-30~85 °C (Wide temperature model)	-30~85 °C
Storage Humidity	10~90%@40°C non-condensing	
Certificate	CE/FCC Class A	Meet CE/FCC Class A

Ordering Information

Model	Description
APC-3081T	8" SVGA IP 65 rugged panel PC , Intel ATOM Z510 processor,1GB DDR2 400MHz memory onboard, 16GB SLC SSD, resistive touch, Wi-Fi and bluetooth,9~32V DC input with Adaptor, aluminum die-casting enclosure
APC-3081T (Wide Temperature)	8" SVGA IP 67 rugged panel PC , Intel ATOM Z510 processor,1GB DDR2 400MHz memory onboard, 16GB SLC SSD, bounding resistive touch, Wi-Fi and bluetooth,9~32V DC input with Adaptor,-20~70° wide working temperature aluminum die-casting enclosure
APC-3081T (Z530)	8" SVGA IP 65 rugged panel PC , Intel ATOM Z530 processor,1GB DDR2 400MHz memory onboard, 16GB SLC SSD, resistive touch, Wi-Fi, bluetooth, GPS, ,9~32V DC input with Adaptor, aluminum die-casting enclosure

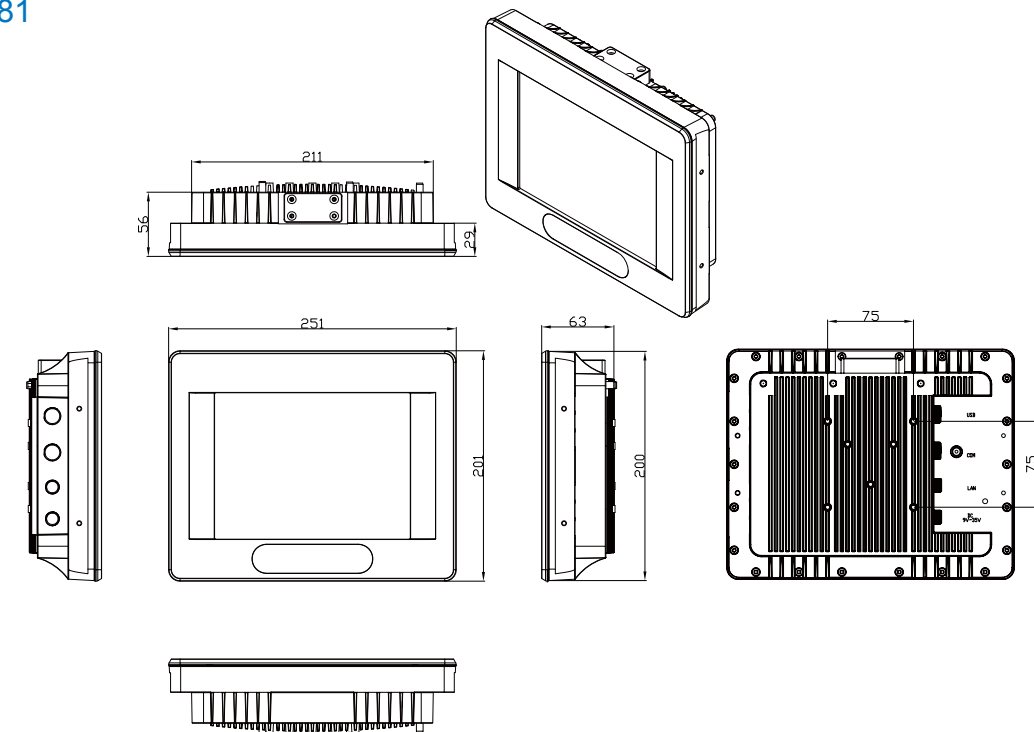
APC-3081/APC-3121

APC-3081/APC-3121

unit:mm

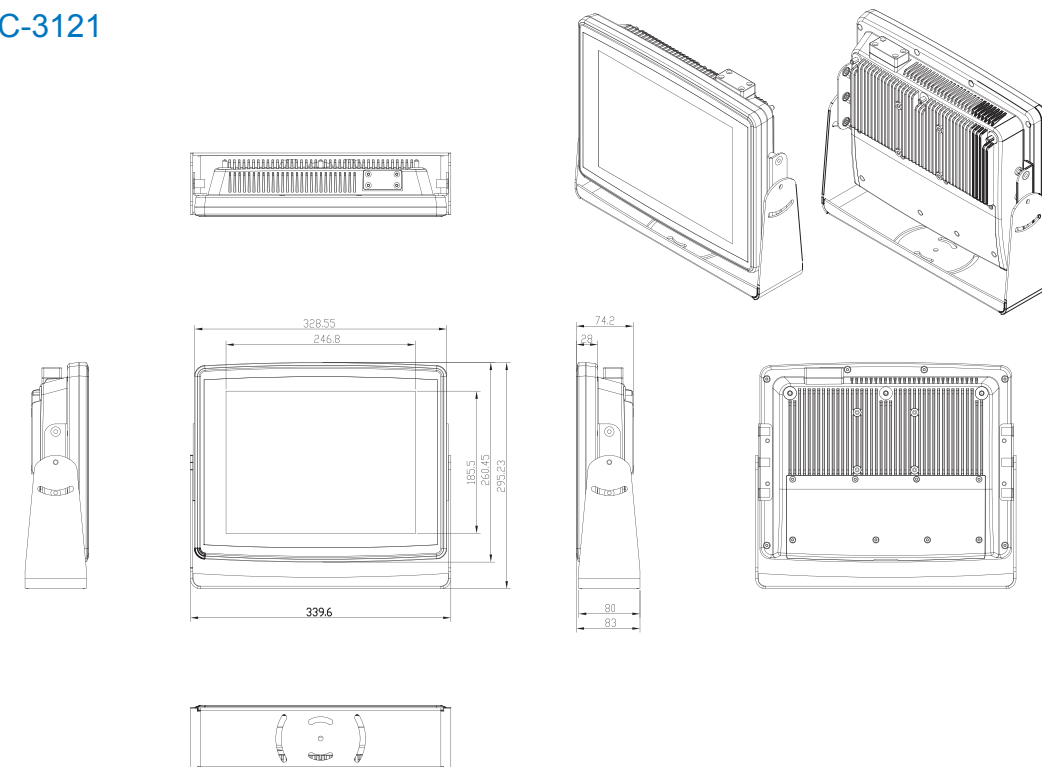
Dimensions

APC-3081



APC-3121

Q1/2012



APC-3X91 Series

Performance IP 65/Intel GM45 Socket P Platform



Features



Stainless Steel, Sturdy and Reliable



Wide Range DC 11~32V Input



Core 2 Duo, Fanless Design



GFG Touch for Option



Totally IP 65

APC-3X91 Series

APC-3591/APC-3791/APC-3991

External I/O Port



APC-3591

Standard I/O:

- 2 x USB ports
- 1 x RJ-45 GbE LAN
- 2 x DB-9 RS-232 (COM 1-2) connectors
- 1 x DC power input

Full Function I/O Ports:

- 1 x VGA DB-15 port
- 1 x Audio, Line-out



APC-3791

Standard I/O:

- 2 x USB ports
- 1 x RJ-45 GbE LAN
- 2 x DB-9 RS-232 (COM 1-2) connectors
- 1 x DC power input

Full Function I/O Ports:

- 1 x VGA DB-15 port
- 1 x Audio, Line-out



APC-3991

Standard I/O:

- 2 x USB ports
- 1 x RJ-45 GbE LAN
- 2 x DB-9 RS-232 (COM 1-2) connectors
- 1 x DC power input

Full Function I/O Ports:

- 1 x VGA DB-15 port
- 1 x Audio, Line-out

APC-3X91 Series

Performance IP 65/Intel GM45 Socket P Platform

Specifications

Model No.	APC-3591	APC-3791	APC-3991
System			
Processor	Intel Socket P Core 2 Duo Processor with FSB 667/800/1066 MHz, up to Intel P 8400		
System Memory	1 x 204 Pin DDR3 1066/800 MHz SO-DIMM slot, up to 4 GB, default 2GB		
System Chipset	Intel GM45 + Intel ICH9M		
External I/O Port	Standard I/O: • 2 x USB ports • 1 x RJ-45 GbE LAN • 2 x DB-9 RS-232 (COM 1-2) connectors • 1 x DC power input Full Function I/O Ports: • 1 x VGA DB-15 port • 1 x Audio, Line-out • 1 x 2.5" SATA HDD • 1 x CF Slot (internal)		
Solid Storage Disk			
Expansion Slots	None		
OS Support	Windows XP Pro, XP Embedded		
LCD			
Display Type	15" TFT-LCD	17" TFT-LCD	19" TFT-LCD
Max. Resolution	1024x768	1280x1024	1280x1024
Max. Color	262K	262K	16.7M
Luminance (cd/m ²)	350	300	350
View Angle	H:120° / V:100°	H:170° / V:160°	H:170° / V:160°
Backlight Lifetime	50,000 hrs		
Touch Screen			
Type	Resistive (optional)		
Light Transmission	80%		
Power Supply			
Power Input	DC 11~32V		
Mechanical			
Construction	Stainless steel front bezel and aluminum extrusion back cover		
IP Rating	IP 65		
Mounting	VESA 100x100 / 200x100 Mount	VESA 100x100 Mount	VESA 75x75 Mount
Dimension	399(W)x324(H)x72(D) mm	432(W)x358(H)x68(D) mm	470(W)x389(H)x71(D) mm
Net Weight	6.9kgs	9.8kgs	11.2kgs
Environmental			
Operating Temperature	0~50 °C		
Storage Temperature	-20~60 °C		
Storage Humidity	10~90% @40 °C non-condensing		
Certificate	CE/FCC Class A		

Ordering Information

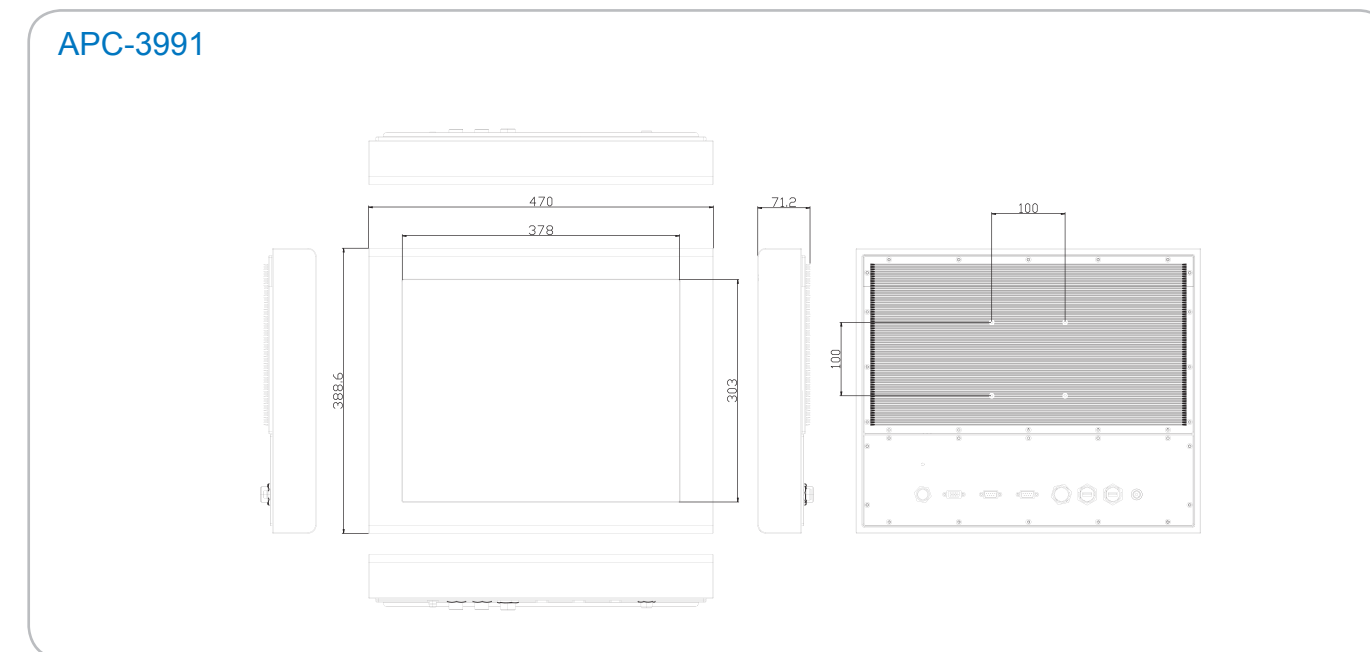
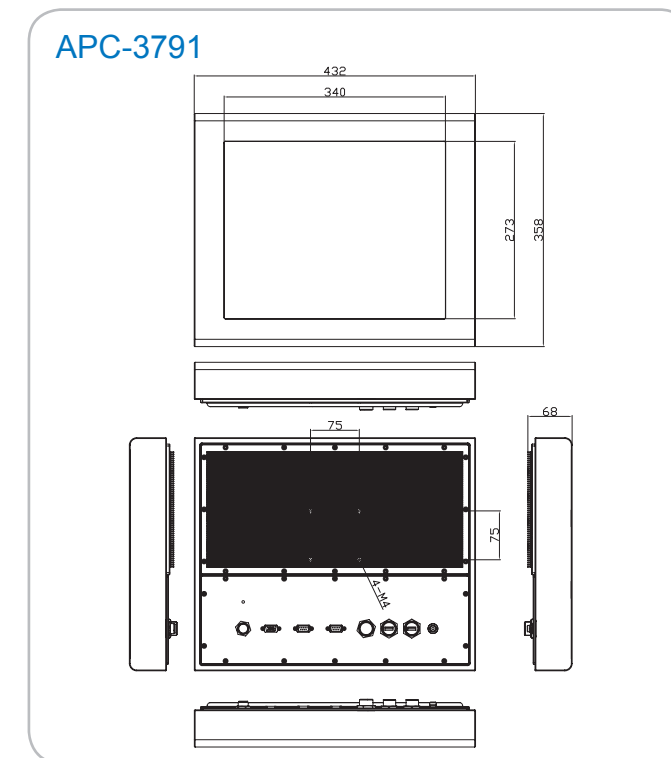
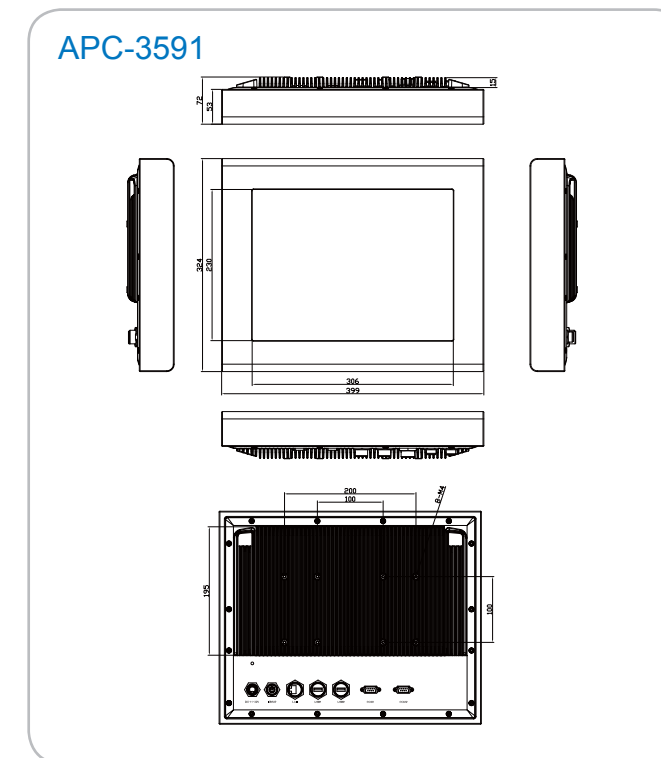
Model	Description
APC-3591T (Intel P8400)	15" XGA IP 65 fan less panel PC, Intel P8400 2.26GHz processor, 2GB DDR3 800 MHz memory, Intel GM45 chipset, 2.5" SATA 2 320GB Industrial HDD, resistive touch, 11~32V DC power input with adaptor, stainless steel front and aluminum die-casting back cover
APC-3591T (Intel T5450)	15" XGA IP 65 fan less panel PC, Intel T5450 1.6GHz processor, 2GB DDR3 800 MHz memory, Intel GM45 chipset, 2.5" SATA 2 320GB Industrial HDD, resistive touch, 11~32V DC power input with adaptor, stainless steel front and aluminum die-casting back cover
APC-3791T (Intel P8400 WiFi)	17" SXGA IP 65 fan less panel PC, Intel P8400 2.26GHz processor, 2GB DDR3 800 MHz memory, Intel GM45 chipset, 2.5" SATA 2 320GB Industrial HDD, Wi-Fi and bluetooth, resistive touch, 11~32V DC power input with adaptor, stainless steel front and aluminum heatsink back cover
APC-3791T (Intel T5450)	17" XGA IP 65 fan less panel PC, Intel T5450 1.6GHz processor, 2GB DDR3 800 MHz memory, Intel GM45 chipset, 2.5" SATA 2 320GB Industrial HDD, resistive touch, 11~32V DC power input with adaptor, stainless steel front and aluminum aluminum heatsink back cover

APC-3X91 Series

APC-3591/APC-3791/APC-3991

Dimensions

unit:mm



Ordering Information

Model	Description
APC-3991T (Intel P8400)	19" SXGA IP 65 fan less panel PC, Intel P8400 2.26GHz processor, 2GB DDR3 800 MHz memory, Intel GM45 chipset, 2.5" SATA 2 320GB Industrial HDD, resistive touch, 11~32V DC power input with adaptor, stainless steel front and aluminum heatsink back cover
APC-3991T (Intel T5450)	19" XGA IP 65 fan less panel PC, Intel T5450 1.6GHz processor, 2GB DDR3 800 MHz memory, Intel GM45 chipset, 2.5" SATA 2 320GB Industrial HDD, resistive touch, 11~32V DC power input with adaptor, stainless steel front and aluminum aluminum heatsink back cover

APC-3X92 Series

Performance IP 65/Intel Atom D525/N455



APC-3X92 Series

APC-3592(A)/APC-3792R/APC-3792P



APC-3592(A)/APC-3792P
PCT Touch



APC-3792R
Overlay Touch

Features



Full Flat Bezel Design



Great Stainless Steel Workmanship



Projective Capacitive Touch Supports or Resistive Overlay Touch for APC-3792R



Wide Working Temperature and Wide Range DC 11~32V Input



Great Thermal Design



APC-3592



APC-3792R
Aluminum Heat-sink Back Cover



IP 69K
APC-3592A/APC-3792P
Stainless Steel Full Flat Back Cover

APC-3X92 Series

Performance IP 65/Intel Atom D525/N455

Specifications

Model No.	APC-3592	APC-3592A	APC-3792R	APC-3792P
System				
Processor	Intel D525	Intel N455	Intel D525	Intel N455
System Memory	1 x 204 Pin DDR3 800 MHz SO-DIMM slot, default 2GB			
System Chipset	Intel ICH8M			
External I/O Port	Standard I/O: • 2 x USB ports • 1 x RJ-45 GbE LAN • 1 x DB-9 RS-232 (COM 1) connector • 1 x DB-9 RS-422/485 (COM 2) connector • 1 x DC power input		Standard I/O: • 2 x USB ports • 1 x RJ-45 GbE LAN • 1 x DB-9 RS-232 (COM 1) connector • 1 x DB-9 RS-422/485 (COM 2) connector • 1 x DC power input • 1 x Power button	
Solid Storage Disk	• 1 x 2.5" SATA HDD • 1 x CF Slot (internal)			
Expansion Slots	None			
OS Support	Windows XP Pro, XP Embedded, Windows Embedded Standard 7			
LCD				
Display Type	15" TFT-LCD		17" TFT-LCD	
Max. Resolution	1024x768		1280x1024	
Max. Color	262K		16.7M	
Luminance (cd/m²)	400		550	
View Angle	H:160° / V:140°		H:170° / V:160°	
Backlight Lifetime	50,000 hrs			
Touch Screen				
Type	Projective capacitive		Overlay resistive	Projective capacitive
Light Transmission	80%			
Power Supply				
Power Input	DC 11~32V			
Mechanical				
Construction	Stainless steel			
IP Rating	IP 65	IP 69K	IP 65	IP 69K
Mounting	VESA 100x100 / 200x100 Mount		VESA 75x75 Mount	
Dimension	399(W)x324(H)x64.3(D) mm		432(W)x358(H)x68.2(D) mm	
Net Weight	6.9kgs		9.8kgs	
Environmental				
Operating Temperature	-20~60 °C		0~50 °C	-20~60 °C
Storage Temperature	-30~70 °C		-20~60°C	-30~70 °C
Storage Humidity	10~90% @40 °C non-condensing			
Certificate	CE/FCC Class A			

Ordering Information

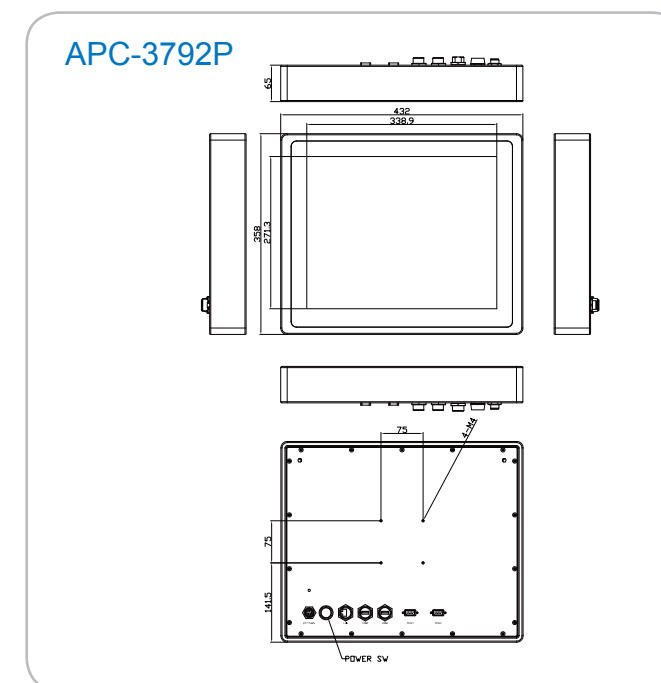
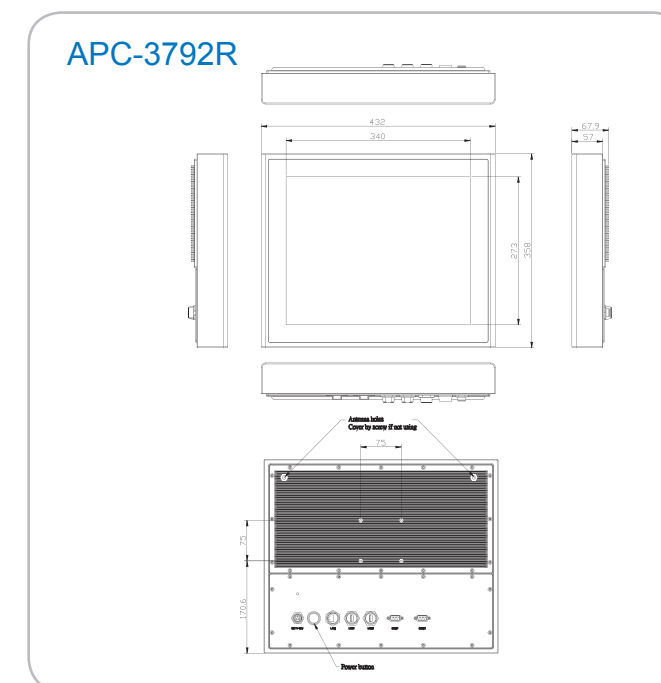
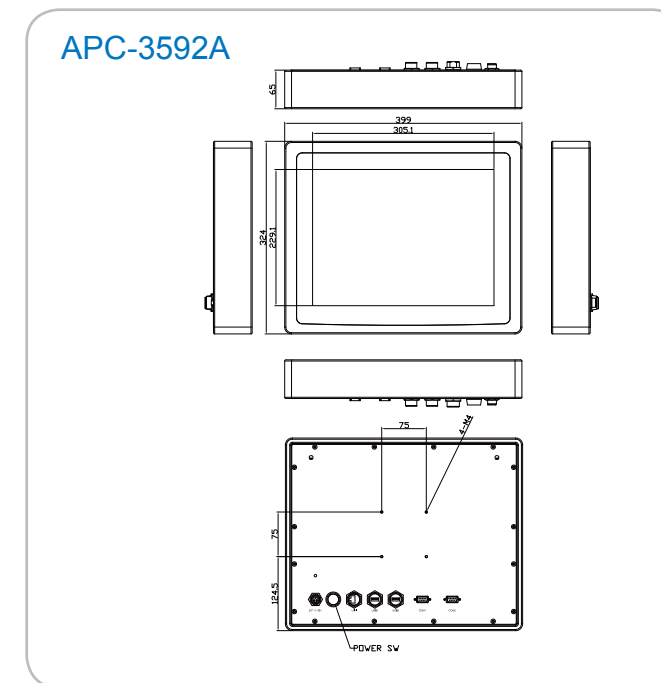
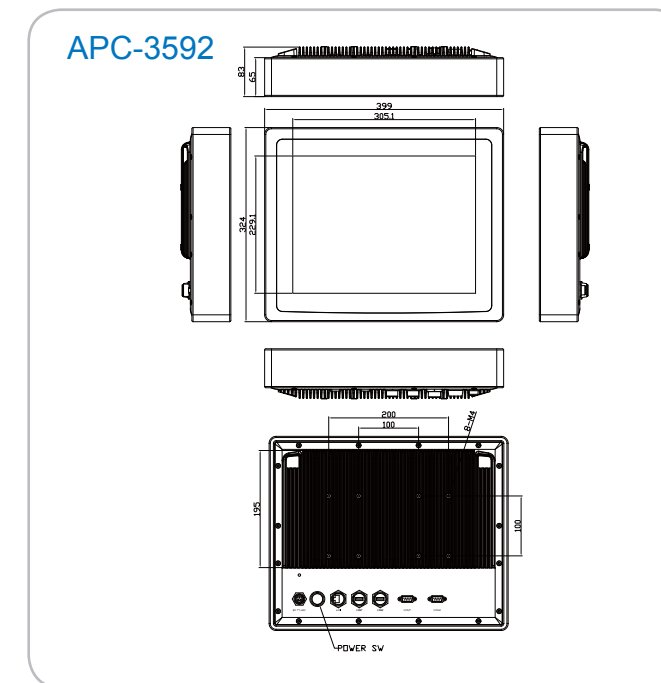
Model	Description
APC-3592 (320G HDD)	15" XGA IP 65 full f at bezel design stainless steel panel PC, Intel ATOM D525 processor, 2GB DDR3 800 MHz memory, 2.5" SATA 2 320GB Industrial HDD, with projective capacitive touch, 11~32V DC power input with Adaptor, stainless steel front and aluminum die-casting back cover
APC-3592 (16G SSD/WiFi)	15" XGA IP 65 full f at bezel design stainless steel panel PC, Intel ATOM D525 processor, 2GB DDR3 800 MHz memory, 2.5" SATA 16GB SLC SSD, Wi-Fi and bluetooth, with projective capacitive touch, 11~32V DC power input with Adaptor, stainless steel front and aluminum die-casting back cover
APC-3592A (8G SSD)	15" XGA IP 65 full f at bezel design stainless steel panel PC, Intel ATOM N455 processor, 2GB DDR3 800 MHz memory, 2.5" SATA 8GB SLC SSD, with projective capacitive touch, 11~32V DC power input with Adaptor, stainless steel enclosure
APC-3592A (320G HDD)	15" XGA IP 65 full f at bezel design stainless steel panel PC, Intel ATOM N455 processor, 2GB DDR3 800 MHz memory, 2.5" SATA 2 320GB Industrial HDD, with projective capacitive touch, 11~32V DC power input with Adaptor, stainless steel enclosure

APC-3X92 Series

APC-3592(A)/APC-3792R/APC-3792P

Dimensions

unit:mm



Ordering Information

Model	Description
APC-3792R (320G HDD)	17" SXGA IP 65 full f at bezel design stainless steel panel PC, Intel ATOM D525 processor, 2GB DDR3 800 MHz memory, 2.5" SATA 2 320GB Industrial HDD, with overlay resistive touch, 11~32V DC power input with Adaptor, stainless steel front and aluminum heatsink back cover
APC-3792R (16G SSD/WiFi)	17" SXGA IP 65 full f at bezel design stainless steel panel PC, Intel ATOM D525 processor, 2GB DDR3 800 MHz memory, 2.5" SATA 16GB SLC SSD, Wi-Fi and bluetooth, with overlay resistive touch, 11~32V DC power input with Adaptor, stainless steel front and aluminum heatsink back cover

APC-3X97A Series

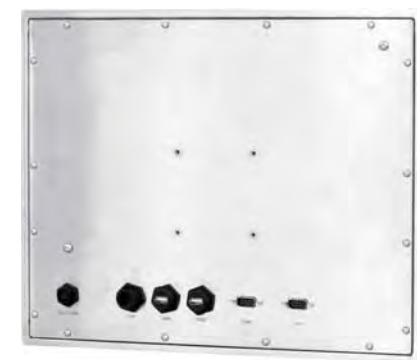
Low power consumption IP 65/Intel Atom N270



APC-3X97A Series

APC-3597A/APC-3797A/APC-3997A

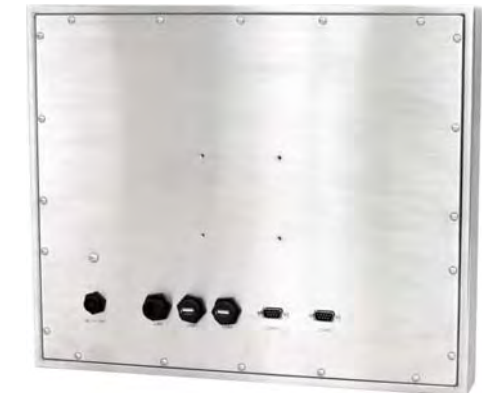
External I/O Port



APC-3597A

Standard I/O:

- 2 x USB ports
- 1 x RJ-45 ports
- 1 x DB-9 RS-232 (COM 1)
- 1 x DB-9, COM2 (RS-232/422/485 selection, default RS-232)
- 1 x DC Power input



APC-3797A

Standard I/O:

- 2 x USB ports
- 1 x RJ-45 ports
- 1 x DB-9 RS-232 (COM 1)
- 1 x DB-9, COM2 (RS-232/422/485 selection, default RS-232)
- 1 x DC Power input

Features



Slim Size, No External Heatsink



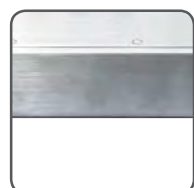
Wide Range DC 11~32V Input



All Solid Capacitor Motherboard



Totally IP 65



Flexible I/O Selection



APC-3997A

Standard I/O:

- 2 x USB ports
- 1 x RJ-45 ports
- 1 x DB-9 RS-232 (COM 1)
- 1 x DB-9, COM2 (RS-232/422/485 selection, default RS-232)
- 1 x DC Power input

APC-3X97A Series

Low power consumption IP 65/Intel Atom N270

Specifications

Model No.	APC-3597A	APC-3797A	APC-3997A
System			
Processor	Intel Atom N270 1.6 GHz processor, FSB 533 MHz		
System Memory	1 x 200 Pin DDR2 533 MHz SO-DIMM slot, up to 2 GB,default 1GB		
System Chipset	Intel 945GSE + Intel ICH7M		
External I/O Port	Standard I/O: • 2 x USB ports • 1 x RJ-45 port • 1 x DB-9 RS-232 (COM 1) • 1 x DB-9, COM2 (RS-232/422/485 selection, default RS-232) • 1 x DC Power input		
Solid Storage Disk	• 1 x 2.5" SATA HDD • 1 x CF Slot (internal)		
Expansion Slots	None		
OS Support	Windows XP Pro, XP Embedded		
LCD			
Display Type	15" TFT-LCD	17" TFT-LCD	19" TFT-LCD
Max. Resolution	1024x768	1280x1024	1280x1024
Max. Color	262K	16.7M	262K
Luminance (cd/m ²)	350	300	300
View Angle	H:120° / V:100°	H:160° / V:170°	H:160° / V:160°
Backlight Lifetime	50,000 hrs		
Touch Screen			
Type	Resistive (optional)		
Light Transmission	80%		
Power Supply			
Power Input	DC 11~32V		
Mechanical			
Construction	Satinless steel		
IP Rating	IP 65		
Mounting	VESA 75x75 Mount	VESA 75x75 Mount	VESA 100 x 100 Mount
Dimension	399(W)x324(H)x53(D) mm	432(W)x358(H)x57(D) mm	470(W)x388.6(H)x60(D) mm
Net Weight	6.9kgs	9.8kgs	11.2kgs
Environmental			
Operating Temperature	0~50 °C		
Storage Temperature	-20~60 °C		
Storage Humidity	10~90% @40 °C non-condensing		
Certificate	CE/FCC Class A		

Ordering Information

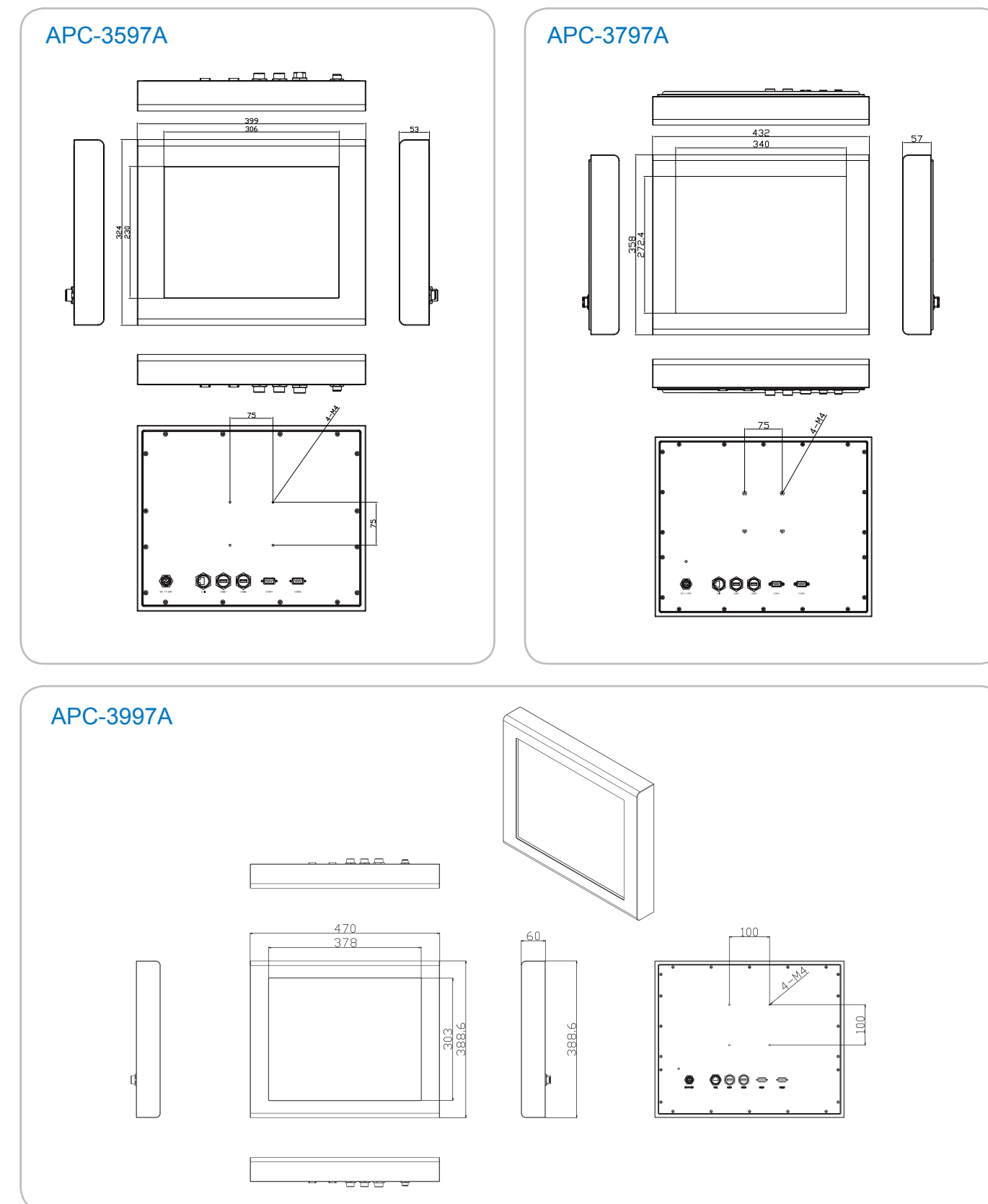
Model	Description
APC-3597AT-22	15" XGA IP65 Intel Atom N270 fan less panel PC, 1GB DDR2 533MHz memory, 8GB SLC CF, resistive touch, 11~32VDC power input with adaptor, stainless steel enclosure
APC-3597AT-19	15" XGA IP65 Intel Atom N270 fan less panel PC, 1GB DDR2 533MHz memory, 2.5" SATA 2 320GB Industrial HDD, resistive touch, 11~32VDC power input with adaptor, stainless steel enclosure
APC-3797AT-09	17" SXGA IP65 Intel Atom N270 fan less panel PC, 1GB DDR2 533MHz memory, 8GB SLC CF, resistive touch, 11~32VDC power input with adaptor, stainless steel enclosure
APC 3797AT-08	17" SXGA IP65 Intel Atom N270 fan less panel PC, 1GB DDR2 533MHz memory, 2.5" SATA 2 320GB Industrial HDD, resistive touch, 11~32VDC power input with adaptor, stainless steel enclosure
APC-3997AT-08	19" SXGA IP65 Intel Atom N270 fan less panel PC, 1GB DDR2 533MHz memory, 2.5" SATA 2 320GB Industrial HDD, resistive touch, 11~32VDC power input with adaptor, stainless steel enclosure
APC-3997AT-07	19" SXGA IP65 Intel Atom N270 fan less panel PC, 1GB DDR2 533MHz memory, 2.5" SATA 16GB SLC SSD, resistive touch, 11~32VDC power input with adaptor, stainless steel enclosure

APC-3X97A Series

APC-3597A/APC-3797A/APC-3997A

Dimensions

unit:mm



APC-3X98A Series

Ultra low power consumption IP 65/Intel Atom Z5XXP



Features



Ultra Low Power Consumption



All Solid Capacitor Motherboard



Ultra Wide Range DC 9~32V Input



Totally IP 65



On Board 1GB DDR2 400 MHz Memory

APC-3X98A Series

APC-3098/APC-3298A/APC-3598A

External I/O Port



APC-3098

- 2 x USB 2.0 ports
- 1 x RJ-45 LAN ports
- 1 x DB-9 RS-232 (COM1) and RS-422/485
- 1 x DC power input



APC-3298A

- 2 x USB 2.0 ports
- 1 x RJ-45 LAN ports
- 1 x DB-9 RS-232 (COM1)
- 1 x DB-9, COM 2 (RS-232/422/485 connector ,default RS-232)
- 1 x DC power input



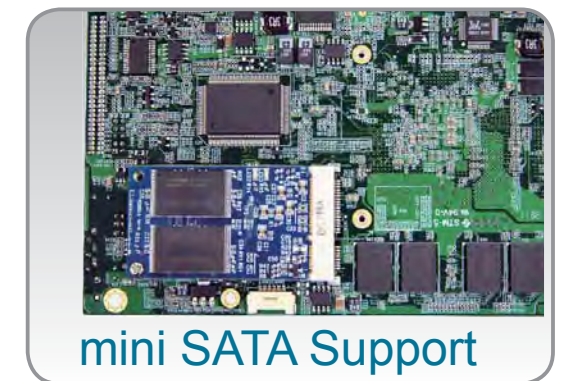
APC-3598A

Standard I/O:

- 2 x USB 2.0 connector
- 1 x RJ-45 LAN
- 1 x DB-9 RS-232 (COM 1) connector
- 1 x DB-9, COM 2 (RS-232/422/485 connector ,default RS-232)
- 1 x DC Power input

Option:

- 1 x VGA DB-15 port
- 1 x Audio Line-out port



APC-3X98A Series

Ultra low power consumption IP 65/Intel Atom Z5XXP

Specifications

Model No.	APC-3098	APC-3298A	APC-3598A
System			
Processor	Intel Atom Z5101P	Intel Atom Z510P 1.1 GHz FSB 400 MHz, Z530P 1.6 GHz FSB 533 MHz for option	
System Memory	On board 1 GB DDR2 400 MHz		
System Chipset	Intel US15WP		
External I/O Port	<ul style="list-style-type: none"> • 2 x USB 2.0 ports • 1 x RJ-45 LAN ports • 1 x DB-9 RS-232 (COM1) and RS-422/485 • 1 x DC power input 	<ul style="list-style-type: none"> • 2 x USB 2.0 ports • 1 x RJ-45 LAN ports • 1 x DB-9 RS-232 (COM 1) • 1 x DB-9 COM 2 (RS-232/422/485 connector, default RS-232) • 1 x DC power input 	Standard I/O: <ul style="list-style-type: none"> • 2 x USB 2.0 connector • 1 x RJ-45 GbE LAN • 1 x DB-9 RS-232 (COM 1) connector • 1 x DB-9,COM 2 (RS-232/422/485 connector, default RS-232) • 1 x DC Power input Option I/O: <ul style="list-style-type: none"> • DB-15 VGA • 1 x Audio Line-out
Solid Storage Disk	<ul style="list-style-type: none"> • 1 x 2.5" SATA HDD • mSATA Support 		
Expansion Slots	None		
OS Support	Windows XP Pro, XP Embedded		
LCD			
Display Type	8" TFT-LCD	12" TFT-LCD	15" TFT-LCD
Max. Resolution	800x600	800x600	1024x768
Max. Color	262K	262K	16.2M
Luminance (cd/m²)	350		
View Angle	H:130° / V:110°	H:140° / V:110°	H:125° / V:140°
Backlight Lifetime	50,000 hrs		
Touch Screen			
Type	Resistive (optional)		
Light Transmission	80%		
Power Supply			
Power Input	DC 9~32V		
Mechanical			
Construction	Stainless steel		
IP Rating	IP 65		
Mounting	VESA 75x75 Mount		
Dimension	250(W)x209(H)x65(D) mm	335(W)x269(H)x65(D) mm	399(W)x328(H)x65(D) mm
Net Weight	5kgs	5.5kgs	6.9kgs
Environmental			
Operating Temperature	0~50 °C		
Storage Temperature	-20~60 °C		
Storage Humidity	10~90% @40 °C non-condensing		
Certificate	CE/FCC Class A		

Ordering Information

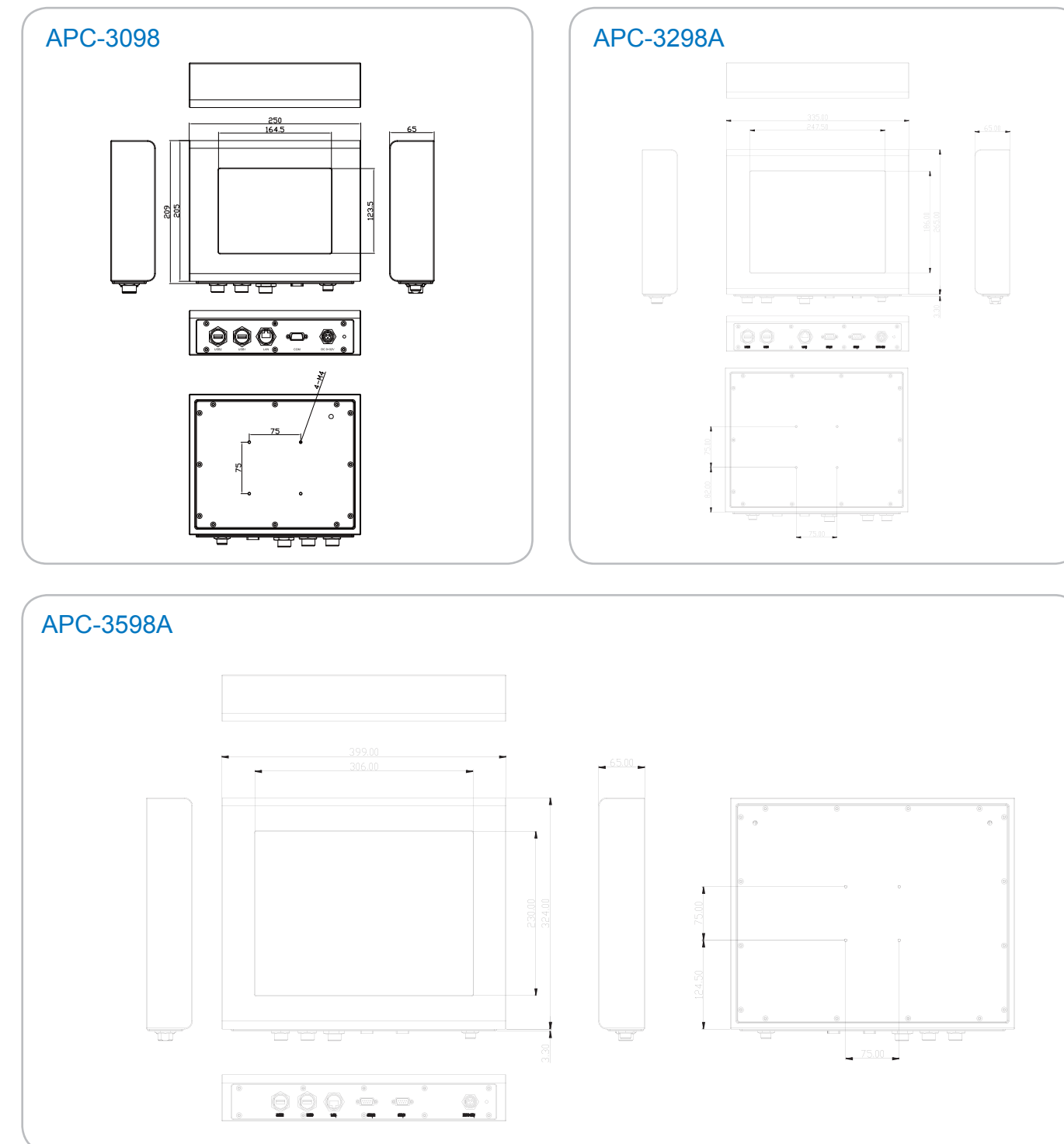
Model	Description
APC-3098T-03	8" SVGA IP 65 Intel Atom Z510P fan less panel PC , on board 1GB DDR2 400MHz memory, 2.5" SATA 2 320GB Industrial HDD,Resistive touch, I/O at bottom side, 9~32 VDC power input with adaptor, stainless steel enclosure
APC-3098T-02	8" SVGA IP 65 Intel Atom Z510P fan less panel PC , on board 1GB DDR2 400MHz memory, 8GB SLC mSATA, Resistive touch, WiFi and BT,I/O at bottom side, 9~32 VDC power input with adaptor, stainless steel enclosure
APC-3298AT (320G HDD)	12" SVGA IP 65 Intel Atom Z510P fan less panel PC , on board 1GB DDR2 400MHz memory, 2.5" SATA 2 320GB Industrial HDD,Resistive touch, I/O at bottom side, 9~32 VDC power input with adaptor, stainless steel enclosure
APC-3298AT (8G mSATA)	12" SVGA IP 65 Intel Atom Z510P fan less panel PC , on board 1GB DDR2 400MHz memory, 8GB SLC mSATA, Resistive touch, WiFi and BT,I/O at bottom side, 9~32 VDC power input with adaptor, stainless steel enclosure

APC-3X98A Series

APC-3098/APC-3298A/APC-3598A

Dimensions

unit:mm



Ordering Information

Model	Description
APC-3598AT (Intel Z510P)	15" XGA IP 65 Intel Atom Z510P fan less panel PC , on board 1GB DDR2 400MHz memory, 2.5" SATA 2 320GB Industrial HDD,Resistive touch, I/O at bottom side, 9~32 VDC power input with adaptor, stainless steel enclosure
APC-3598AT (Intel Z530P)	15" XGA IP 65 Intel Atom Z530P fan less panel PC , on board 1GB DDR2 400MHz memory ,8GB SLC mSATA,Resistive touch, WiFi and BT,I/O at bottom side, 9~32 VDC power input with adaptor, stainless steel enclosure

NEW

APC-3X82/APC-3X83 Series

Performance IP 42/Intel Atom D525



APC-3X82/APC-3X83 Series

APC-3582/APC-3782/APC-3982
APC-3283/APC-3583/APC-3783/APC-3983

Panel PC



APC-3X82



APC-3X82
Reliable Cable Bracket Design



APC-3X83 Series
Steel Enclosure, Black Color

Features



Slim, Fanless Design



All Solid Capacitor
Motherboard



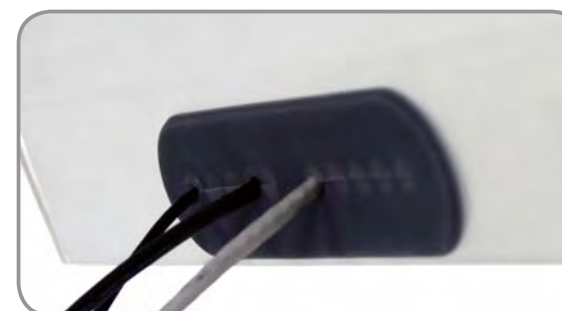
IP 65 Except I/O Side



Wide Range DC 11~32V
Power Input



Low Power
Consumption



APC-3X82
IP 42 Rubber Cover

NEW

APC-3X82/APC-3X83 Series

Performance IP42/Intel Atom D525

Specifications

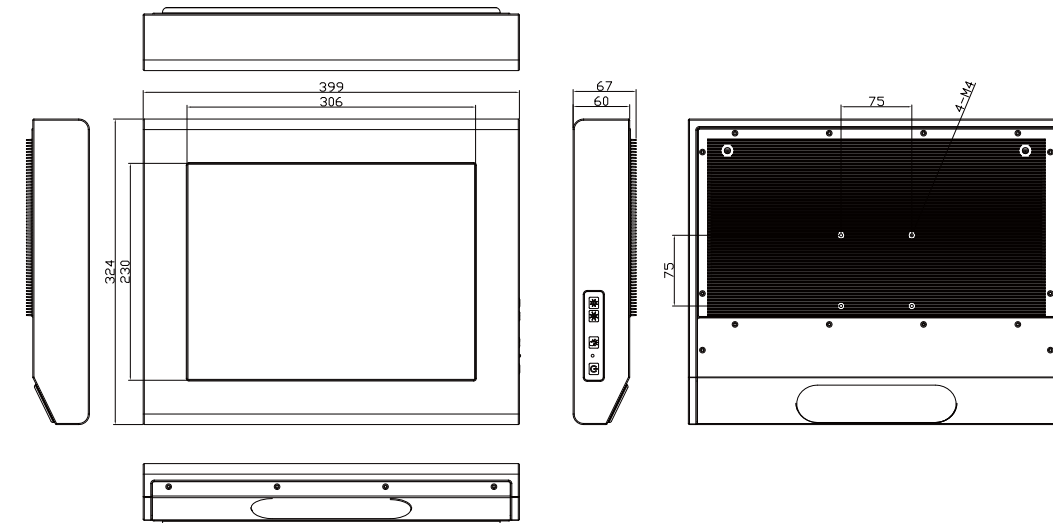
Model No.	APC-3282/3283 Q1/2012	APC-3582/3583	APC-3782/3783 Q1/2012	APC-3982/3983
System				
Processor	Intel Atom D525			
System Memory	1 x 204 Pin DDR3 800 MHz SO-DIMM slot, default 2GB			
System Chipset	Intel ICH8M			
External I/O Port	<ul style="list-style-type: none"> • 4 x USB 2.0 • 2 x RJ-45 LAN • 1 x DB-15 for RS-232 and RS-422/485 (1 to 2 Ycable) • 1 x DB-9 RS-232 • 1 x DC Power input terminal block connector • 1 x 7 Pin terminal block for 2n/2out/1Ground/Switch 	<ul style="list-style-type: none"> • 4 x USB 2.0 • 2 x RJ-45 LAN • 1 x DB-15 for RS-232 and RS-422/485 (1 to 2 Ycable) • 1 x DB-9 RS-232 • 1 x DC Power input terminal block connector • 1 x 7 Pin terminal block for 2n/2out/1Ground/Switch 	<ul style="list-style-type: none"> • 4 x USB 2.0 • 2 x RJ-45 LAN • 1 x DB-15 for RS-232 and RS-422/485 (1 to 2 Ycable) • 1 x DB-9 RS-232 • 1 x DC Power input terminal block connector • 1 x 7 Pin terminal block for 2n/2out/1Ground/Switch 	<ul style="list-style-type: none"> • 4 x USB 2.0 • 2 x RJ-45 LAN • 1 x DB-15 for RS-232 and RS-422/485 (1 to 2 Ycable) • 1 x DB-9 RS-232 • 1 x DC Power input terminal block connector • 1 x 7 Pin terminal block for 2n/2out/1Ground/Switch
Storage	<ul style="list-style-type: none"> • 1 x 2.5" SATA HDD • 1 x CF Slot (internal) 	<ul style="list-style-type: none"> • 1 x 2.5" SATA HDD • 1 x CF Slot (Internal), 1 x CF Slot external (option) 		
Expansion Slots	None			
OS Support	Windows XP Embedded, Windows Embedded Standard 7			
LCD				
Display Type	12" TFT-LCD	15" TFT-LCD	17" TFT-LCD	19" TFT-LCD
Max. Resolution	800x600	1024x768	1280x1024	1280x1024
Max. Color	262K		16.7M	
Luminance (cd/m ²)	350	400 (APC-3582) 350 (APC-3583)	450 (APC-3982) 300 (APC-3983)	300
View Angle	H:140° / V:110°	H:160° / V:140° (APC-3582) H:125° / V:140° (APC-3583)	H:170° / V:160°	H:160° / V:160°
Backlight Lifetime	50,000 hrs			
Touch Screen				
Type	Resistive (optional) USB Interface			
Light Transmission	80%			
Power Supply				
Power Input	DC 11~32V			
Mechanical				
Construction	Stainless Steel Housing (APC-3X82) / Steel Housing (APC-3X83)			
IP Rating	Front panel IP65/ 6 sides IP42 with waterproof kit			
Mounting	VESA 75 x 75 Mount	VESA 75 x 75 Mount	VESA 75 x 75 Mount	VESA 100 x 100 Mount
Dimension	TBD	398(W)x316(H)x56(D) mm	TBD	470(W)x388.6(H)x71.8(D)
Environmental				
Operating Temperature	0~50 °C			
Storage Temperature	-20~60°C			
Storage Humidity	10~90% @40 °C non-condensing			
Certificate	CE/FCC Class A			

APC-3X82/APC-3X83 Series

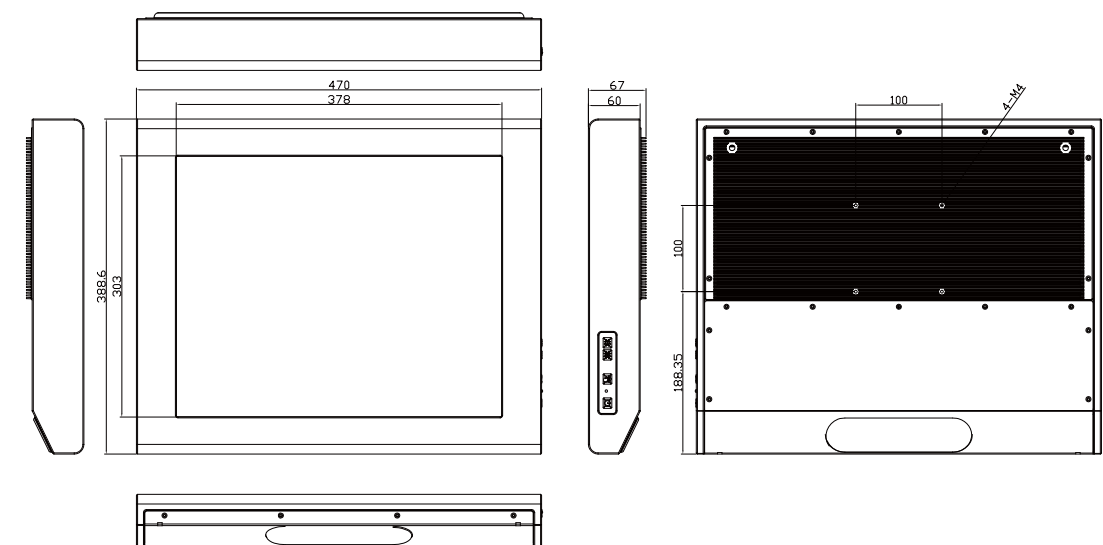
APC-3582/APC-3782/APC-3982
APC-3283/APC-3583/APC-3783/APC-3983
unit:mm

Dimensions

APC-3582/APC-3583



APC-3982/APC-3983



APC-3X84/APC-3X85 Series

Low power consumption 5 Sides IP 65/Intel Atom N270



Features



Slim, Fanless Design



All Solid Capacitor Motherboard



IP 65 Except I/O Side



Wide Range DC 11~32V Power Input



Low Power Consumption

APC-3X84/APC-3X85 Series

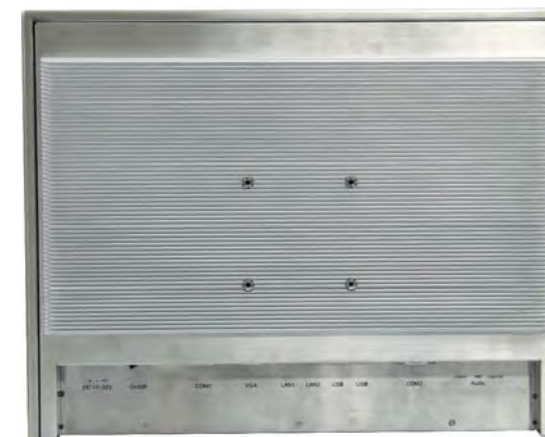
APC-3284/APC-3584/APC-3784/APC-3984
APC-3285/APC-3585/APC-3785/APC-3985



APC-3284



APC-3584/APC-3784/APC-3984



APC-3584/APC-3784/APC-3984



APC-3X85 Series

Steel Enclosure, Black Color

APC-3X84/APC-3X85 Series

Low power consumption 5 Sides IP 65/Intel Atom N270

Specifications

Model No.	APC-3284/APC-3285	APC-3584/APC-3585	APC-3784/APC-3785	APC-3984/APC-3985
System				
Processor	Intel Atom N270 1.6 GHz processor, FSB 533 MHz			
System Memory	1 x 200 Pin DDR2 533 MHz SO-DIMM slot up to 2 GB			
System Chipset	Intel 945GSE + Intel ICH7M			
External I/O Port	<ul style="list-style-type: none"> • 4 x USB ports • 2 x RJ-45 ports • 1 x DB-9 RS-232 (COM 1) • 1 x DB-15 VGA • 1 x MIC, Line-in, Line-out • 1 x 3-pin DC Power input terminal block connector 	Standard I/O: <ul style="list-style-type: none"> • 4 x USB 2.0 connector • 2 x RJ-45 LAN connector • 1 x DB-9 RS-232 (COM 1) • 1 x DB-9, COM2 (RS-232/422/485 selection, default RS-232) • 1 x DB-15 VGA • 1 x MIC, LINE-Out, LINE-in • 1 x Power Switch (ATX) • 1 x 3-pin DC Power input terminal block connector 	Standard I/O: <ul style="list-style-type: none"> • 4 x USB 2.0 connector • 2 x RJ-45 LAN connector • 1 x DB-9 RS-232 (COM 1) • 1 x DB-9, COM2 (RS-232/422/485 selection, default RS-232) • 1 x DB-15 VGA • 1 x MIC, LINE-Out, LINE-in • 1 x Power Switch (ATX) • 1 x 3-pin DC Power input terminal block connector 	Standard I/O: <ul style="list-style-type: none"> • 4 x USB 2.0 connector • 2 x RJ-45 LAN connector • 1 x DB-9 RS-232 (COM 1) • 1 x DB-9, COM2 (RS-232/422/485 selection, default RS-232) • 1 x DB-15 VGA • 1 x MIC, LINE-Out, LINE-in • 1 x Power Switch (ATX) • 1 x 3-pin DC Power input terminal block connector
Solid Storage Disk	<ul style="list-style-type: none"> • 1 x 2.5" SATA HDD • 1 x CF Slot (internal) 			
Expansion Slots	None			
OS Support	Windows XP Pro, XP Embedded			
LCD				
Display Type	12.1" TFT-LCD	15" TFT-LCD	17" TFT-LCD	19" TFT-LCD
Max. Resolution	800x600	1024x768	1280x1024	1280x1024
Max. Color	262K	262K	16.7M	262K
Luminance (cd/m²)	350	350	300	300
View Angle	H:140° / V:110°	H:120° / V:100°	H:170° / V:160°	H:160° / V:160°
Backlight Lifetime	50,000 hrs			
Touch Screen				
Type	Resistive (optional)			
Light Transmission	80%			
Power Supply				
Power Input	DC 11~32V			
Mechanical				
Construction	Steel front bezel and aluminum extrusion back cover			
IP Rating	IP 65			
Mounting	VESA 75 x 75 Mount	VESA 75 x 75 Mount	VESA 75 x 75 Mount	VESA 100 x 100 Mount
Dimension	330(W)x260(H)x58.3(D) mm	398(W)x316(H)x56(D) mm	432(W)x358(H)x68.7(D) mm	470(W)x388.6(H)x71.8(D) mm
Net Weight	5kgs	6.9kgs	9kgs	10.5kgs
Environmental				
Operating Temperature	0~50 °C			
Storage Temperature	-20~60 °C			
Storage Humidity	10~90% @40 °C non-condensing			
Certificate	CE/FCC Class A			

Ordering Information

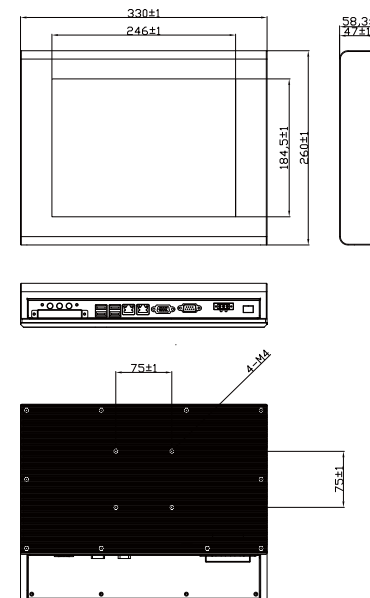
Model	Description
APC-3284T-09	12" SVGA 5 sides IP 65 Intel Atom N270 fan less panel PC, 1GB RRD2 memory, 2.5" SATA2 160GB HDD. Resistive touch, 11~32VDC power input with adaptor, stainless steel enclosure
APC-3584T-08	15" XGA 5 sides IP 65 Intel Atom N270 fan less panel PC, 1GB RRD2 memory, 2.5" SATA2 160GB HDD. Resistive touch, 11~32VDC power input with adaptor, stainless steel enclosure
APC-3784T-07	17" SXGA 5 sides IP 65 Intel Atom N270 fan less panel PC, 1GB RRD2 memory, 2.5" SATA2 160GB HDD. Resistive touch, 11~32VDC power input with adaptor, stainless steel enclosure
APC-3984T-07	19" SXGA 5 sides IP 65 Intel Atom N270 fan less panel PC, 1GB RRD2 memory, 2.5" SATA2 160GB HDD. Resistive touch, 11~32VDC power input with adaptor, stainless steel enclosure

APC-3X84/APC-3X85 Series

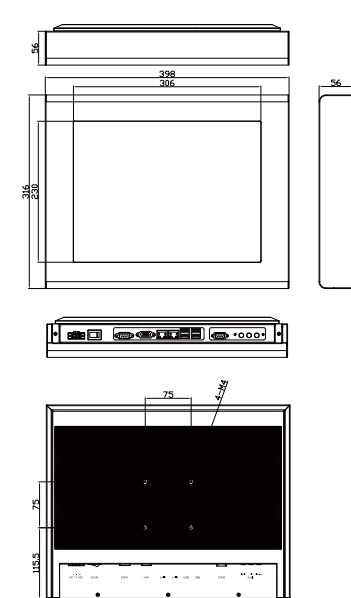
APC-3284/APC-3584/APC-3784/APC-3984
APC-3285/APC-3585/APC-3785/APC-3985
unit:mm

Dimensions

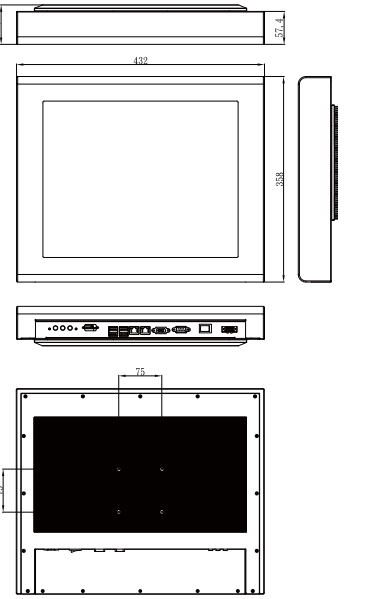
APC-3284
APC-3285



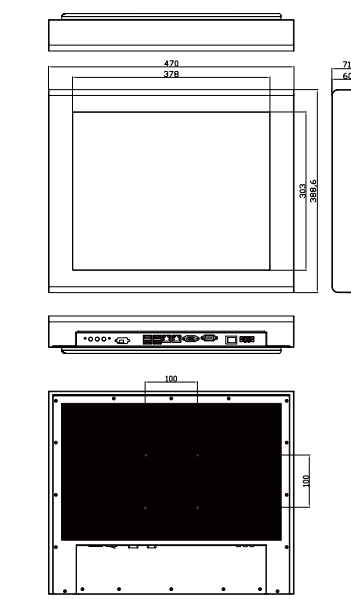
APC-3584
APC-3585



APC-3784
APC-3785



APC-3984
APC-3985



Ordering Information

Model	Description
APC-3285T-05	12" SVGA 5 sides IP 65 Intel Atom N270 fan less panel PC, 1GB RRD2 memory, 2.5" SATA2 160GB HDD. Resistive touch, 11~32VDC power input with adaptor, steel enclosure
APC-3585T-07	15" XGA 5 sides IP 65 Intel Atom N270 fan less panel PC, 1GB RRD2 memory, 2.5" SATA2 160GB HDD. Resistive touch, 11~32VDC power input with adaptor, steel enclosure
APC-3785T-09	17" SXGA 5 sides IP 65 Intel Atom N270 fan less panel PC, 1GB RRD2 memory, 2.5" SATA2 160GB HDD. Resistive touch, 11~32VDC power input with adaptor, steel enclosure
APC-3985T-06	19" SXGA 5 sides IP 65 Intel Atom N270 fan less panel PC, 1GB RRD2 memory, 2.5" SATA2 160GB HDD. Resistive touch, 11~32VDC power input with adaptor, steel enclosure

APC-3X17A Series

Performance steel industrial panel PC/Intel GM45 Socket P Platform



Features



Dual Core Fanless Design



Wide Range DC 11~32V Power Input



Panel and VESA Mounting



HDMI Output



PCI Slot Expansion or PCIe x1 Slot Expansion for Option

APC-3X17A Series

APC-3517A/APC-3717A/APC-3917A

External I/O Port



APC-3917A



APC-3717A



APC-3517A

APC-3517A/APC-3717A/APC-3917A

- 4 x USB 2.0 connector
- 2 x RJ-45 LAN connector (GbE)
- 2 x DB-9 RS-232 (COM 1/2)
- 1 x DB-9 RS-232 (COM 3) option for RS-422/485
- 1 x DB-15 VGA Port
- 1 x HDMI Port
- 1 x DVI-D Port
- 1 x PS2 Keyboard/Mouse
- 1 x MIC, 1x LINE-Out, LINE-in
- 1 x 3-pin DC Power input terminal block connector

APC-3X17A Series

Performance steel industrial panel PC/Intel GM45 Socket P Platform

Specifications

Model No.	APC-3517A	APC-3717A	APC-3917A
System			
Processor	Intel Socket P Core 2 Duo processor with FSB 667/800/1066 MHz, up to Intel P8400 processor		
System Memory	2 x 200 Pin DDR2 667/800 MHz SO-DIMM slot, up to 4 GB each slot		
System Chipset	Intel GM45 + Intel ICH9M-E		
External I/O Port	<ul style="list-style-type: none"> • 4 x USB 2.0 connector • 2 x RJ-45 LAN connector (GbE) • 2 x DB-9 RS-232 (COM 1/2) • 1 x DB-9 RS-232 (COM 3) option for RS-422/485 • 1 x DB-15 VGA Port 	<ul style="list-style-type: none"> • 1 x HDMI Port • 1 x DVI-D Port • 1 x PS2 Keyboard/Mouse • 1 x MIC, 1x LINE-Out, LINE-in • 1 x 3-pin DC Power input terminal block connector 	
Solid Storage Disk		<ul style="list-style-type: none"> • 1 x 2.5" SATA HDD • 1 x CF Slot (internal) 	
Expansion Slots		<ul style="list-style-type: none"> • 1 x 32-bit PCI Slot (Standard) • 1 x PCIe x1 Slot (Optional) 	
OS Support	Windows XP, Windows XP Pro, XP Embedded, Windows Embedded Standard 7		
LCD			
Display Type	15" TFT-LCD	17" TFT-LCD	19" TFT-LCD
Max. Resolution	1024x768	1280x1024	1280x1024
Max. Color		16.7M	
Luminance (cd/m ²)	300	350	300
View Angle	H:150° / V:140°	H:170° / V:160°	H:170° / V:160°
Backlight Lifetime		50,000 hrs	
Touch Screen			
Type		Resistive (optional)	
Light Transmission		80%	
Power Supply			
Power Input	DC 11~32V		
Mechanical			
Construction	Heavy-duty steel chassis		
IP Rating	Front Panel IP 65		
Mounting	Panel / VESA 75x75 Mount		
Dimension	410(W)x310(H)x90.8(D) mm	439(W)x348(H)x93.3(D) mm	484(W)x400(H)x94.3(D) mm
Net Weight	8.5kgs	10kgs	12kgs
Environmental			
Operating Temperature	0~50 °C		
Storage Temperature	-20~60 °C		
Storage Humidity	10~90% @40 °C non-condensing		
Certificate	CE/FCC Class A		

Ordering Information

Model	Description
APC-3517AT-10	15" XGA Intel P8400 and Intel GM45 chipset, fan less design panel PC , 2GB DDR2 memory,160GB 2.5" SATA2 HDD, resistive touch, 1 X PCI slot, 11~32VDC power input with adaptor, black Steel enclosure
APC-3517AT-09	15" XGA Intel T5450 and Intel GM45 chipset, fan less design panel PC , 2GB DDR2 memory,160GB 2.5" SATA2 HDD, resistive touch, 1 X PCI slot, 11~32VDC power input with adaptor, black Steel enclosure
APC-3717AT-14	17" SXGA Intel P8400 and Intel GM45 chipset, fan less design panel PC , 2GB DDR2 memory,160GB 2.5" SATA2 HDD, resistive touch, 1 X PCI slot, 11~32VDC power input with adaptor, black Steel enclosure
APC-3717AT-13	17" SXGA Intel T5450 and Intel GM45 chipset, fan less design panel PC , 2GB DDR2 memory,160GB 2.5" SATA2 HDD, resistive touch, 1 X PCI slot, 11~32VDC power input with adaptor, black Steel enclosure
APC-3917AT-10	19" SXGA Intel P8400 and Intel GM45 chipset, fan less design panel PC , 2GB DDR2 memory,160GB 2.5" SATA2 HDD, resistive touch, 1 X PCI slot, 11~32VDC power input with adaptor, black Steel enclosure
APC-3917AT-11	19" SXGA Intel T5450 and Intel GM45 chipset, fan less design panel PC , 2GB DDR2 memory,160GB 2.5" SATA2 HDD, resistive touch, 1 X PCI slot, 11~32VDC power input with adaptor, black Steel enclosure

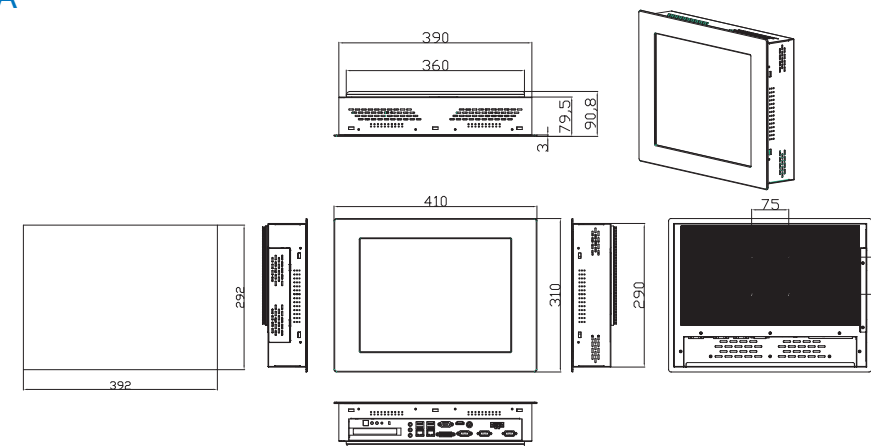
APC-3X17A Series

APC-3517A/APC-3717A/APC-3917A

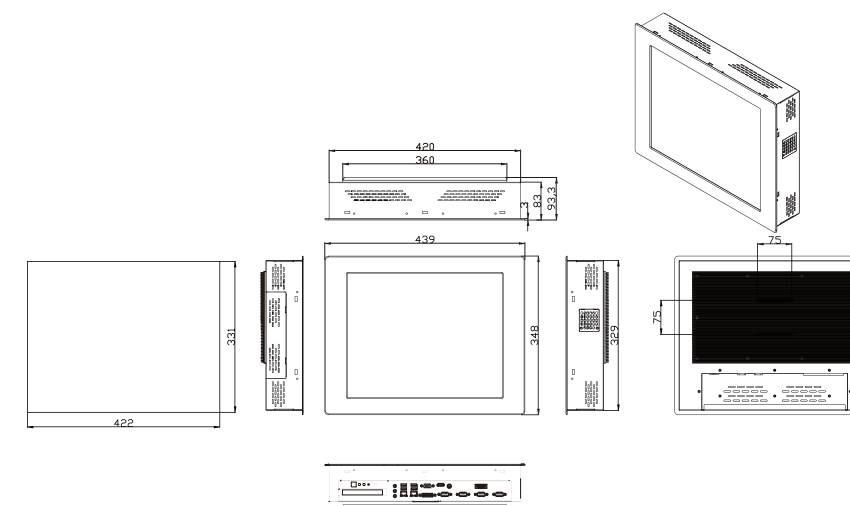
Dimensions

unit:mm

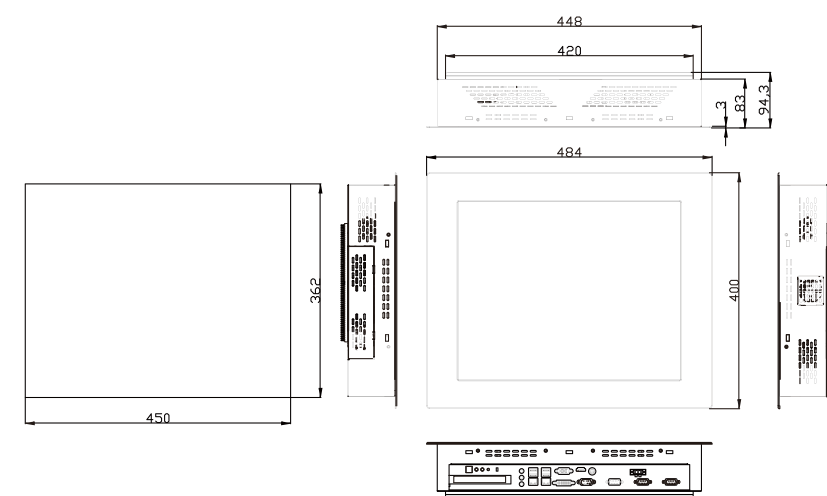
APC-3517A



APC-3717A



APC-3917A



APC-3228(A)

Steel industrial panel PC



Features



Full HD Panel PC



LED Backlight LCD



PCI or PCIe x1 Slot Expansion



AC Power Input and Wide Range DC Power Input for Option



HDMI Output

APC-3228(A)

APC-3228(A)

External I/O Port



APC-3228

Standard I/O:

- Audio, Line-in, Line-Out, MIC-in
- 2 x RJ-45 LAN connector (Intel 82567LM LAN + 82574L GbE LANs)
- 4 x USB 2.0 Ports
- 1 x DB-15 VGA port
- 1 x DVI-D port
- 1 x HDMI Port
- 1 x COM1 (RS-232)
- 1 x PS2 Keyboard/Mouse
- 1 x ATX Power on/off Switch

Option:

- 2 x COM 2/3 (DB-9) by cables
- 1 x DB-9 Port for (4 x DI / 4 x DO) by cable

APC-3228(A)

Steel industrial panel PC

Specifications

Model No.	APC-3228	APC-3228A Q1/2012
System	Intel Socket P Core 2 Duo processors, FSB 1066/800/667 MHz, up to Intel T9900 processor	
Processor	Intel Socket P Core 2 Duo processors, FSB 1066/800/667 MHz, up to Intel T9900 processor	
System Memory	2 x 200 Pin DDR2 667/800 MHz SO-DIMM slot, up to 4 GB each slot	2 x 204 Pin SO-DIMM up to 8 GB DDR3 800/1066 MHz FSB
System Chipset	Intel GM45 + Intel ICH9M-E	
External I/O Port	Standard I/O: • Audio, Line-in, Line-Out, MIC-in • 2 x RJ-45 LAN connector (Intel 82567LM LAN + 82574L GbE LANs) • 4 x USB 2.0 Ports • 1 x DB-15 VGA port • 1 x DVI-D port • 1 x HDMI Port • 1 x COM1 (RS-232) • 1 x PS2 Keyboard/Mouse • 1 x ATX Power on/off Switch Option: • 2 x COM 2/3 (DB-9) by cables • 1 x DB-9 Port for (4 x DI / 4 x DO) by cable	Standard I/O: • 4 x USB • 2 x LAN • 1 x Audio Line-out/MIC-in • 1 x VGA • 1 x HDMI • 3 x COM • 1 x Terminal Block for additional power switch • 2 x LED Light
Solid Storage Disk	• 1 x CF slot (external) • 1 x 2.5" SATA HDD • 1 x SATA Combo device bay	
Expansion Slots	• 1 x PCI Slot (External) • 1 x Mini-PCIe slot (Internal)	
OS Support	Windows XP, XP Professional, XP Embedded	
LCD		
Display Type	21.5" TFT-LCD	
Max. Resolution	1920x1080	
Max. Color	16.7M	
Luminance (cd/m²)	250	500
View Angle	H:170° / V:160°	
Backlight Lifetime	50,000 hrs	
Touch Screen		
Type	Analog resistive (optional)	
Light Transmission	80%	
Power Supply		
Power Input	AC115/230V	
Mechanical		
Construction	Metal front panel and housing	
IP Rating	• Front Panel IP 65 • Rear Side IP 30	
Mounting	VESA 100 x 100 Mount	
Dimension	537(W)x342(H)x99(D) mm	
Net Weight	14.8kgs	
Environmental		
Operating Temperature	0~50 °C	
Storage Temperature	-20~60 °C	
Storage Humidity	10~90% @40 °C non-condensing	
Certificate	CE/FCC Class A	

Ordering Information

Model	Description
APC-3228T-12	21.5" Full HD Intel P8600 and Intel GM45 chipset, fan less design panel PC, 2GB DDR2 memory, 2.5" SATA 2 320GB Industrial HDD, resistive touch, 1 X PCI slot, 100~240 V AC power input, black Steel enclosure

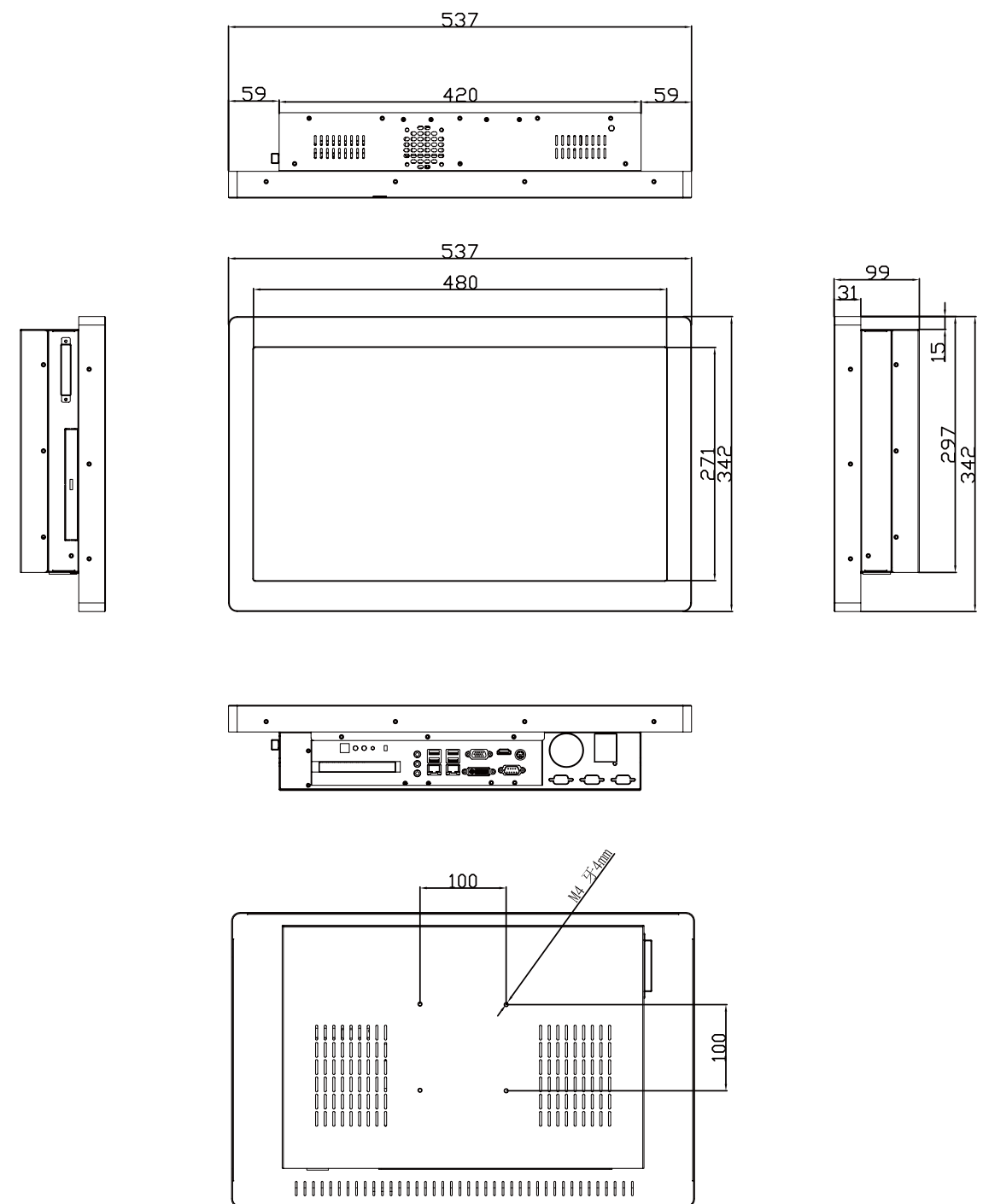
APC-3228(A)

APC-3228(A)

Dimensions

unit:mm

APC-3228/3228A



APC-3X15 Series

Steel industrial panel PC/Intel GME965 Socket P Platform



Features



Supports Intel Core 2 Duo Processor



External Slim CD/DVD Device for Option



Two PCI Slot Expansion



Front Panel IP 65



AC Power Input and Wide Range DC Input for Option

APC-3X15 Series

APC-3215/APC-3515/APC-3715/APC-3915

External I/O Port



APC-3215/APC-3515/APC-3715/APC-3915

- 3 x COM
- 1 x VGA
- 2 x LAN GbE
- 4 x USB
- 1 x PS2 Keyboard
- 1 x PS2 Mouse
- 1 x Audio

APC-3X15 Series

Steel industrial panel PC/Intel GME965 Socket P Platform

Specifications

Model No.	APC-3215	APC-3515	APC-3715	APC-3915
System				
Processor	Intel Socket P Core 2 Duo processor with 533/667/800 MHz FSB, up to Intel T7250			
System Memory	2 x 240 Pin Dual channel DDR2 533/667 MHz up to 4 GB, default 1GB			
External I/O Port	<ul style="list-style-type: none"> • 3 x COM • 1 x VGA • 2 x LAN GbE • 4 x USB • 1 x PS2 Keyboard • 1 x PS2 Mouse • 1 x Audio 			
Solid Storage Disk	• 1 x 2.5 HDD space			
Expansion Slots	<ul style="list-style-type: none"> • 2 x PCI expansion slots • 1 x 2.5" HDD space and slim CD-ROM/DVD Combo space 			
OS Support	Windows XP/ XP Embedded			
LCD				
Display Type	12.1" TFT-LCD	15" TFT-LCD	17" TFT-LCD	19" TFT-LCD
Max. Resolution	800x600	1024x768	1280x1024	1280X1024
Max. Color	262K	262K	16.7M	16.7M
Luminance (cd/m ²)	300	450	300	300
View Angle	H:110° / V:85°	H:140° / V:125°	H:140° / V:130°	H:160° / V:160°
Backlight Lifetime	50,000 hrs			
Touch Screen				
Type	Resistive (optional)			
Light Transmission	None			
Power Supply				
Power Input	220W/0.8U ATX			
Mechanical				
Construction	Steel front panel and housing			
IP Rating	Front Panel IP 65			
Dimension	390(W)x265(H)x122(D) mm	410(W)x310(H)x122(D) mm	457(W)x355(H)x128(D) mm	484(W)x400(H)x129(D) mm
Net Weight	8.6kgs	10.2kgs	11.9kgs	13.6kgs
Environmental				
Operating Temperature	0~50 °C			
Storage Temperature	-20~60 °C			
Storage Humidity	10~90% @40 °C non-condensing			
Certificate	CE/FCC Class A			

Ordering Information

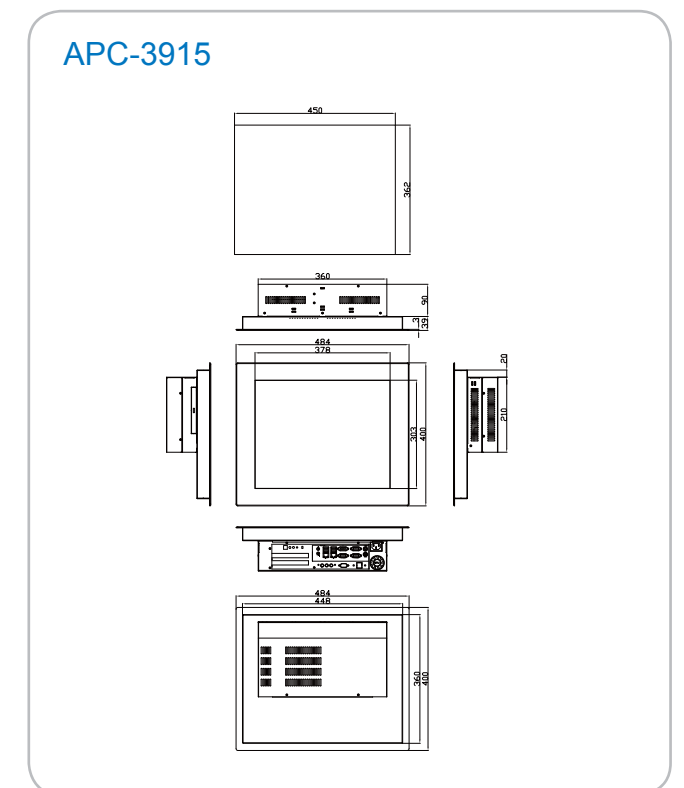
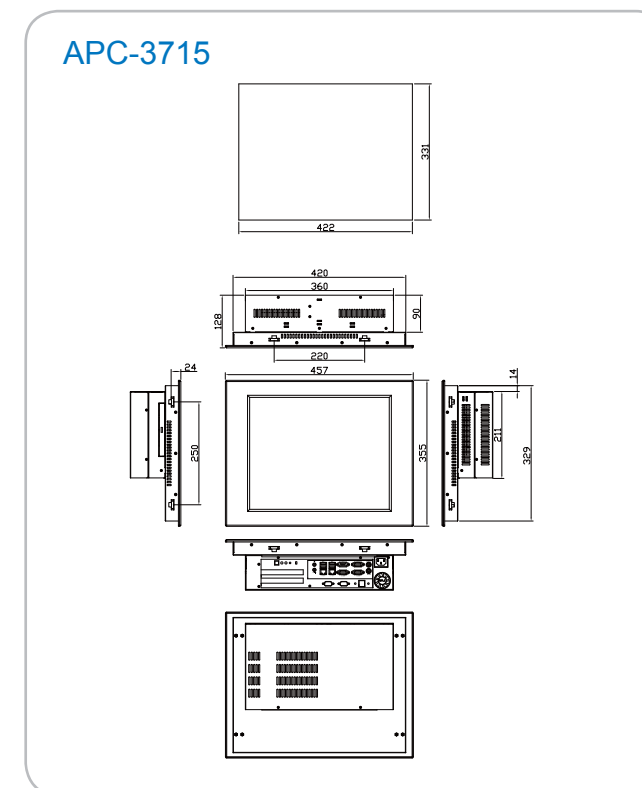
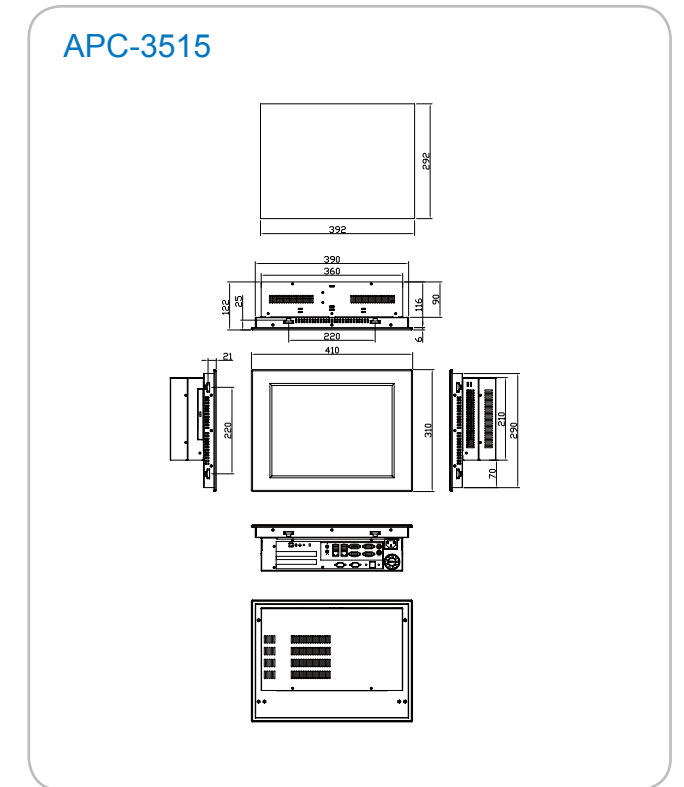
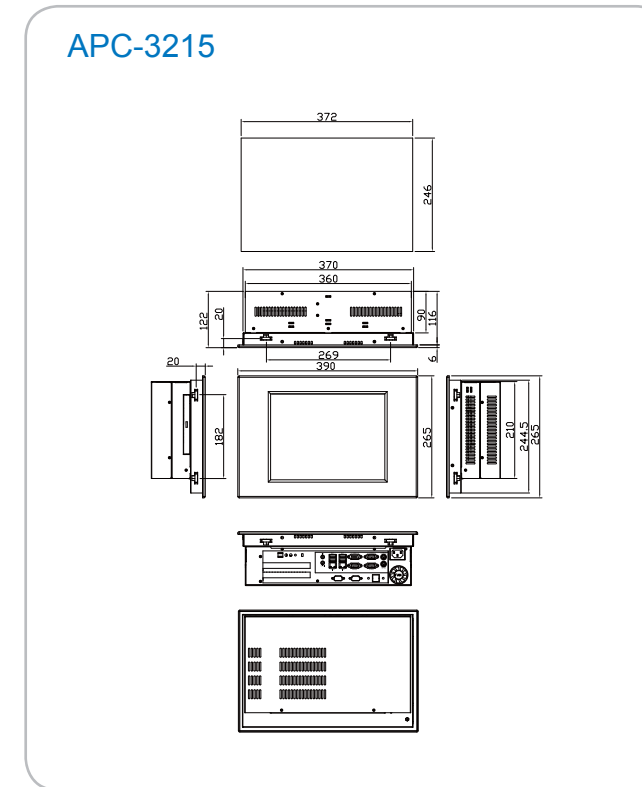
Model	Description
APC-3215T-28	12" SVGA IntelT7250 and Intel 965 chipset panel PC, 1GB RRD2 memory, 160GB 2.5" SATA2 HDD, DVD Combo, resistive touch, 1X PCI expansion slot, 100~240AC input, white Steel enclosure
APC-3215T-29	12" SVGA IntelT5450and Intel 965 chipset panel PC, 1GB RRD2 memory, 160GB 2.5" SATA2 HDD, DVD Combo, resistive touch, 1X PCI expansion slot, 100~240AC input, white Steel enclosure
APC-3515T-40	15" XGA IntelT7250 and Intel 965 chipset panel PC, 1GB RRD2 memory, 160GB 2.5" SATA2 HDD, DVD Combo, resistive touch, 1X PCI expansion slot, 100~240AC input, white Steel enclosure
APC-3515T-41	15" XGA IntelT5450and Intel 965 chipset panel PC, 1GB RRD2 memory, 160GB 2.5" SATA2 HDD, DVD Combo, resistive touch, 1X PCI expansion slot, 100~240AC input, white Steel enclosure
APC-3715T-64	17" SXGA IntelT7250 and Intel 965 chipset panel PC, 1GB RRD2 memory, 160GB 2.5" SATA2 HDD, DVD Combo, resistive touch, 1X PCI expansion slot, 100~240AC input, white Steel enclosure
APC-3915T-29	19" SXGA IntelT7250 and Intel 965 chipset panel PC, 1GB RRD2 memory, 160GB 2.5" SATA2 HDD, DVD Combo, resistive touch, 1X PCI expansion slot, 100~240AC input, white Steel enclosure

APC-3X15 Series

APC-3215/APC-3515/APC-3715/APC-3915

Dimensions

unit:mm



APC-3X14 Series

Low power consumption steel industrial panel PC/Intel Atom N270



APC-3X14 Series

APC-3514/APC-3714/APC-3914

External I/O Port



Features



Eco-friendly, Low Power Consumption



Front Panel IP 65



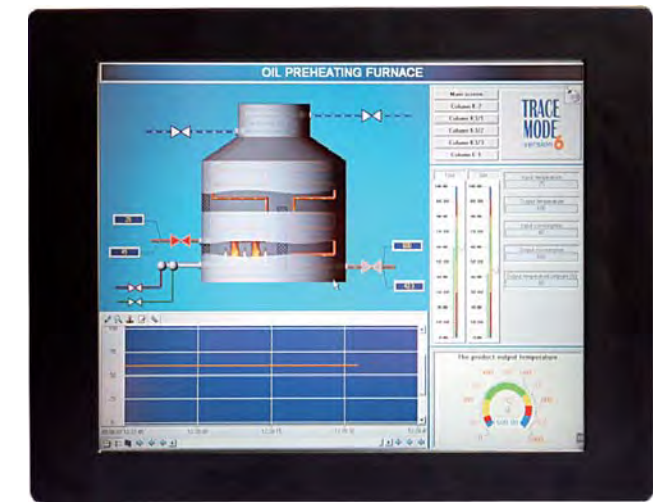
PCI Slot for Expansion



VESA and Panel Mounting



Wide Range DC 11~32V Power Input



APC-3514/APC-3714/APC-3914

- 4 x USB 2.0 connector
- 2 x RJ-45 LAN connector (GbE)
- 2 x DB-9 RS-232 (COM 1/2)
- 1 x DB-15 VGA Port
- 1 x PS2 Keyboard
- 1 x PS2 Mouse
- 1 x MIC, 1 x Line-out, Line-in
- 1 x 3-pin DC Power input terminal block

APC-3X14 Series

Low power consumption steel industrial panel PC/Intel Atom N270

Specifications

Model No.	APC-3514	APC-3714	APC-3914
System			
Processor	Intel Atom N270 1.6 GHz processor with FSB 533 MHz		
System Memory	1 x 200 Pin DDR2 533 MHz SO-DIMM slot, up to 2 GB, default 1GB		
System Chipset	Intel 945GSE + Intel ICH7M		
External I/O Port	<ul style="list-style-type: none"> • 4 x USB 2.0 connector • 2 x RJ-45 LAN connector (GbE) • 2 x DB-9 RS-232 (COM 1/2) • 1 x DB-15 VGA Port • 1 x PS2 Keyboard • 1 x PS2 Mouse • 1 x MIC, 1x LINE-Out, LINE-in • 1 x 3 Pin DC Power input terminal block 		
Solid Storage Disk	<ul style="list-style-type: none"> • 1 x 2.5" SATA HDD • 1 x CF Slot (internal) 		
Expansion Slots	1 x 32-bit PCI slot		
OS Support	Windows XP, Windows XP Pro, XP Embedded, Windows Embedded Standard 7		
LCD			
Display Type	15" TFT-LCD	17" TFT-LCD	19" TFT-LCD
Max. Resolution	1024x768	1280x1024	1280x1024
Max. Color	16.7M		
Luminance (cd/m ²)	300	350	350
View Angle	H:150° / V:140°	H:170° / V:160°	H:170° / V:160°
Backlight Lifetime	50,000 hrs		
Touch Screen			
Type	Resistive (optional)		
Light Transmission	80%		
Power Supply			
Power Input	DC 11~32V		
Mechanical			
Construction	Heavy-duty steel chassis		
IP Rating	Front Panel IP 65		
Mounting	Panel / VESA 75x75 Mount		
Dimension	410(W)x310(H)x90.8(D) mm	439(W)x348(H)x94.3(D) mm	484(W)x400(H)x94.3(D) mm
Net Weight	8.5kgs	11.5kgs	12kgs
Environmental			
Operating Temperature	0~50 °C		
Storage Temperature	-20~60 °C		
Storage Humidity	10~90% @40 °C non-condensing		
Certificate	CE/FCC Class A		

Ordering Information

Model	Description
APC-3514T-05	15" XGA Intel Atom N270 fanless slim type panel PC, 1GB DDR2 memory, 160GB 2.5" SATA2 HDD, resistive touch, 11~32VDC input with adaptor, black steel enclosure
APC-3714T-07	17" SXGA Intel Atom N270 fanless slim type panel PC, 1GB DDR2 memory, 160GB 2.5" SATA2 HDD, resistive touch, 1X PCI expansion, 11~32VDC input with adaptor, black steel enclosure
APC-3914T-03	19" SXGA Intel Atom N270 fanless slim type panel PC, 1GB DDR2 memory, 160GB 2.5" SATA2 HDD, resistive touch, 1X PCI expansion, 11~32VDC input with adaptor, black steel enclosure

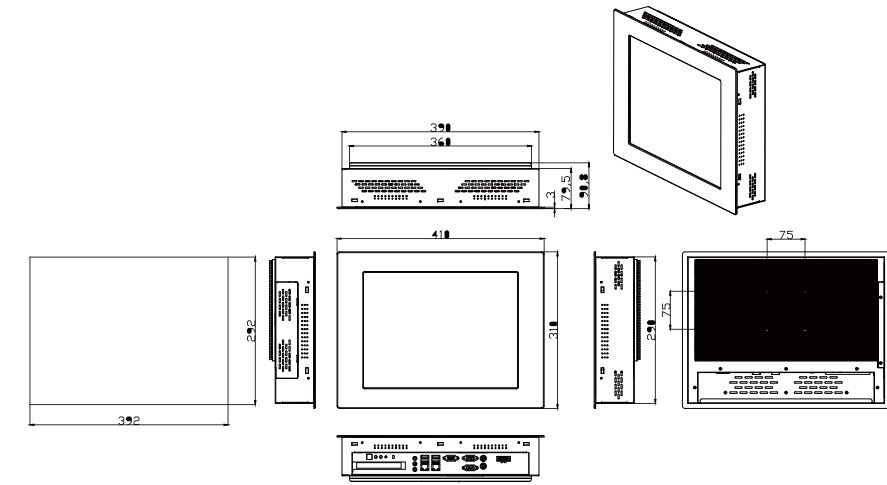
APC-3X14 Series

APC-3514/APC-3714/APC-3914

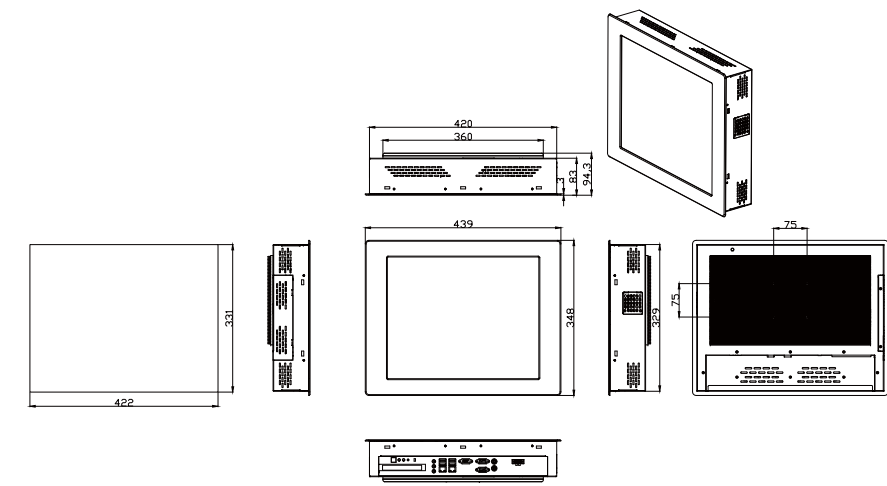
Dimensions

unit:mm

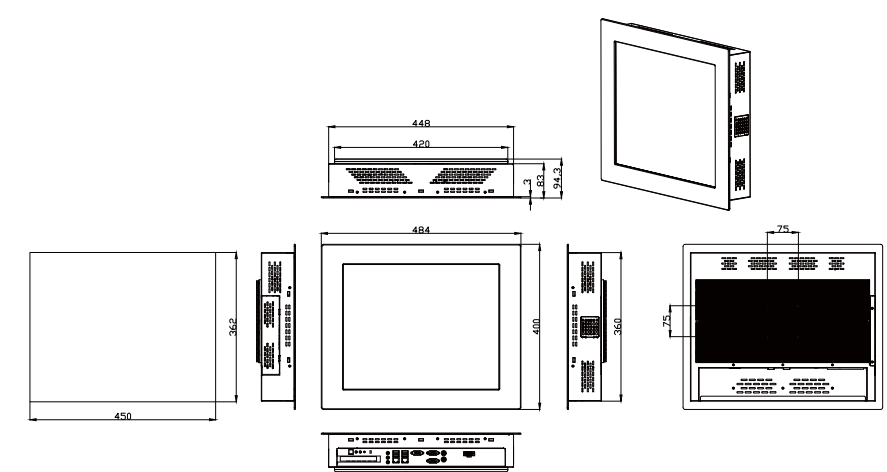
APC-3514



APC-3714



APC-3914



APC-3X64 Series

Low power consumption steel industrial panel PC/Intel Atom N270



Features



2 PCI Slots for Expansion



Front Panel IP 65



External Slim CD/DVD Drive for Option



Cost Effective



Wide Range DC 11~32V Power Input

APC-3X64 Series

APC-3264/APC-3564/APC-3764

External I/O Port



APC-3264

Standard I/O:

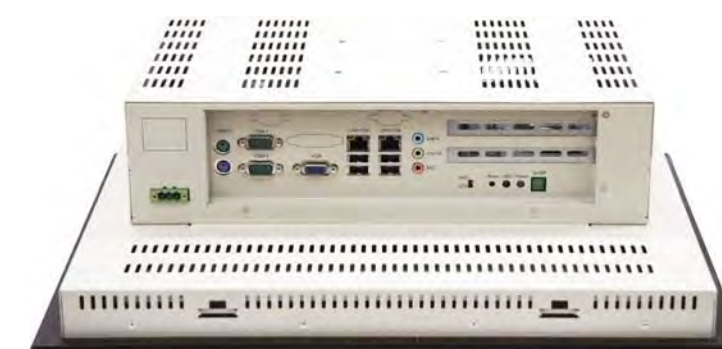
- 4 x USB ports
- 2 x RJ-45 ports
- 2 x COM ports
- 1 x PS/2 Keyboard

- 1 x PS/2 Mouse
- 1 x VGA port
- 1 x DVI-I Port
- 1 x Audio MIC, Line-in, Line-out

Optional:

- 2 x DB-9 RS-232 (COM3/4)

Black color bezel for option



APC-3564/APC-3764

Standard I/O:

- 4 x USB ports
- 2 x RJ-45 ports
- 2 x COM ports
- 1 x PS/2 Keyboard

- 1 x PS/2 Mouse
- 1 x VGA port
- 1 x Audio MIC, Line-in, Line-out

Optional:

- 2 x DB-9 RS-232 (COM3/4)

APC-3X64 Series

Low power consumption steel industrial panel PC/Intel Atom N270

Specifications

Model No.	APC-3264	APC-3564	APC-3764
System			
Processor	Intel Atom N270 1.6 GHz processor with FSB 533 MHz		
System Memory	1 x 200 Pin DDR2 533 MHz SO-DIMM slot, up to 2 GB, default 1GB		
System Chipset	Intel 945GSE+ICH7M		
External I/O Port	Standard I/O: • 4 x USB ports • 2 x RJ-45 ports • 2 x COM ports • 1 x PS/2 Keyboard • 1 x PS/2 Mouse • 1 x VGA port • 1 x DVI-I Port • 1 x Audio MIC, Line-in, Line-out Optional: • 2 x DB-9 RS-232 (COM3/4)	Standard I/O: • 4 x USB ports • 2 x RJ-45 ports • 2 x COM ports • 1 x PS/2 Keyboard • 1 x PS/2 Mouse • 1 x VGA port • 1 x Audio MIC, Line-in, Line-out Optional: • 2 x DB-9 RS-232 (COM3/4)	Standard I/O: • 4 x USB ports • 2 x RJ-45 ports • 2 x COM ports • 1 x PS/2 Keyboard • 1 x PS/2 Mouse • 1 x VGA port • 1 x Audio MIC, Line-in, Line-out Optional: • 2 x DB-9 RS-232 (COM3/4)
Solid Storage Disk		• 1 x 2.5" SATA HDD • 1 x slim CD-ROM/ DVD Combo (optional) • 1 x CF slot (internal)	
Expansion Slots		• 2 x PCI slots • 1 x Mini PCIe slot for Wireless LAN module	
OS Support	Windows XP Pro, XP Embedded		
LCD			
Display Type	12.1" TFT-LCD	15" TFT-LCD	17" TFT-LCD
Max. Resolution	800x600	1024x768	1280x1024
Max. Color	262K	16.7M	16.7M
Luminance (cd/m ²)	350	300	350
View Angle	H:140° / V:110°	H:150° / V:140°	H:170° / V:160°
Backlight Lifetime	50,000 hrs		
Touch Screen			
Type	Resistive (optional)		
Light Transmission	80%		
Power Supply			
Power Input	DC 11~32V		
Mechanical			
Construction	Heavy-duty steel chassis		
IP Rating	Front Panel IP 65		
Mounting	Panel / VESA 75x75 Mount		
Dimension	390(W)x265(H)x106(D) mm	409(W)x309(H)x123(D) mm	457(W)x355(H)x129(D) mm
Net Weight	6kgs	10.27kgs	12.27kgs
Environmental			
Operating Temperature	0~50 °C		
Storage Temperature	-20~60 °C		
Storage Humidity	10~90% @40 °C non-condensing		
Certificate	CE/FCC Class A		

Ordering Information

Model	Description
APC-3264T-06	12" XGA Intel Atom N270 fanless panel PC, 1GB DDR2 memory, 160GB 2.5" SATA2 HDD, resistive touch, 2X PCI expansion, 11~32VDC input with adaptor, white steel enclosure
APC-3564T-20	15" XGA Intel Atom N270 fanless panel PC, 1GB DDR2 memory, 160GB 2.5" SATA2 HDD, resistive touch, 2X PCI expansion, 11~32VDC input with adaptor, white steel enclosure
APC-3764T-16	17" SXGA Intel Atom N270 fanless panel PC, 1GB DDR2 memory, 160GB 2.5" SATA2 HDD, resistive touch, 2X PCI expansion, 11~32VDC input with adaptor, white steel enclosure

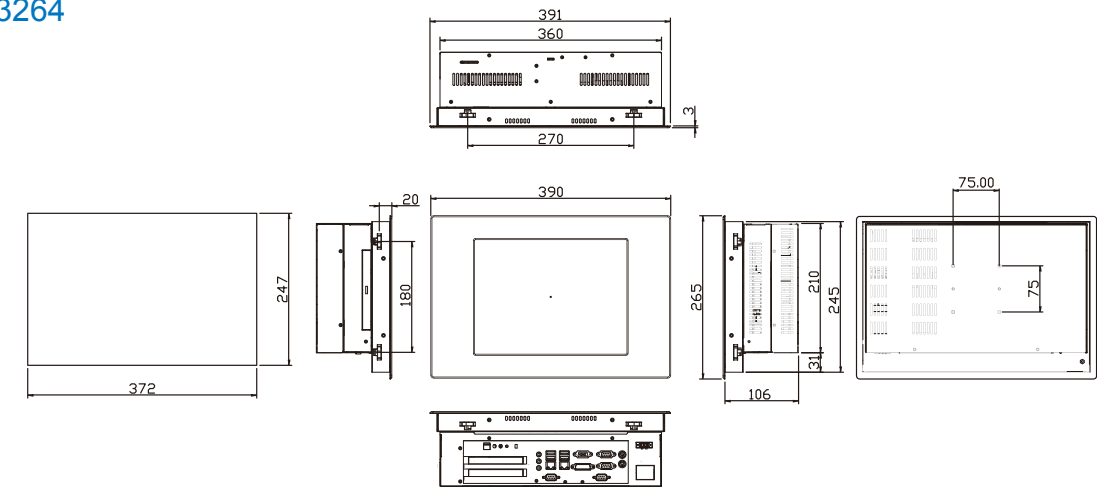
APC-3X64 Series

APC-3264/APC-3564/APC-3764

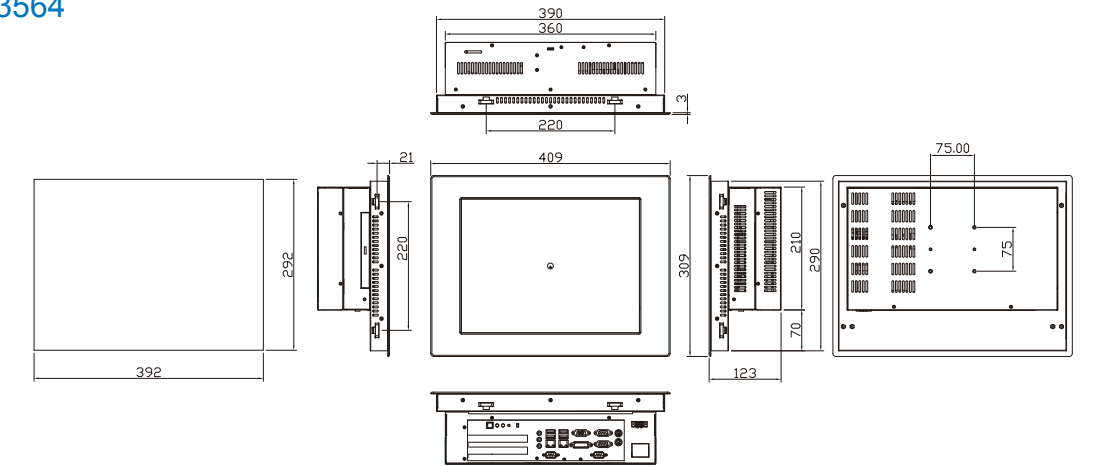
Dimensions

unit:mm

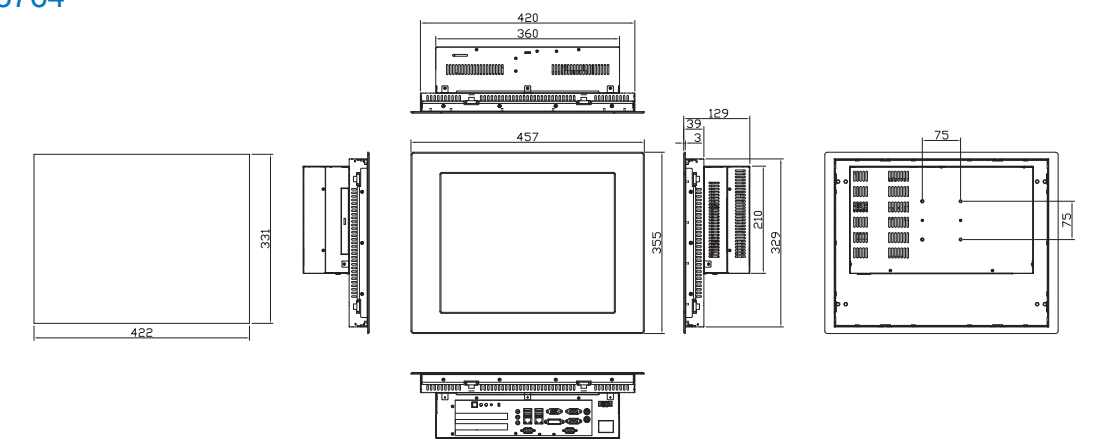
APC-3264



APC-3564

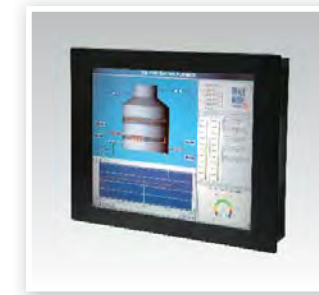


APC-3764





AHM Product Line



PC Based

Low power consumption - AHM-6XX7A Series



PC Based

Ultra low power consumption - AHM-6XX8 Series



PC Based

Performance - AHM-6XX6A Series



RISC Based

ARM9 Windows CE Platform - AHM-6XX0 Series

HMI AHM Product Line

Since the company was founded, We has been dedicated to the development of HMI products, and this has led to the AHM product line. We currently offers complete PC-based and RISC-based open architecture products with TFT LCD panels ranging from 5.7" to 15" in size. Some product lines even offer TFT LCD panels as large as 19".

Our HMI products come equipped with touch screen as standard feature, Flat bezel overlay touch screens feature a smooth and simple exterior finish which prevents accumulation of water, dust, and grime, making them well-suited for integration with all kinds of machinery and equipment.

Because our HMI products are intended for practical industrial applications, the front panel of our HMI products are IP 65 rated. With the exception of a few special-purpose models, almost all HMI products support a wide range of voltage inputs (DC 11~32V) and use the industry standard terminal block connector.

To meet remote access, wireless communication, and other related requirements, we have already completed the integration of wireless networking cards, Bluetooth, 3.5G modems and other equipment. In this way, we can provide any potential customer with the most comprehensive human-machine interface products and services.

AHM-6XX7A Series

Low power consumption HMI/Intel Atom N270



AHM-6XX7A Series

AHM-6057A/AHM-6087A/AHM-6087B/AHM-6107A/AHM-6127A/
AHM-6157A/AHM-6177A/AHM-6197A

External I/O Port



AHM-6057A

AHM-6087A

AHM-6087B



AHM-6107A



AHM-6127A



AHM-6157A



AHM-6177A



AHM-6197A

Features



Fan-less Design



Wide Range DC 11~32V
Power Input



All Series Front
Panel IP 65



Wide Working
Temperature



Resistive Touch Screen



Overlay Resistive Touch
for 5.7"~12.1" model

AHM-6XX7A Series

Low power consumption HMI/Intel Atom N270

Specifications

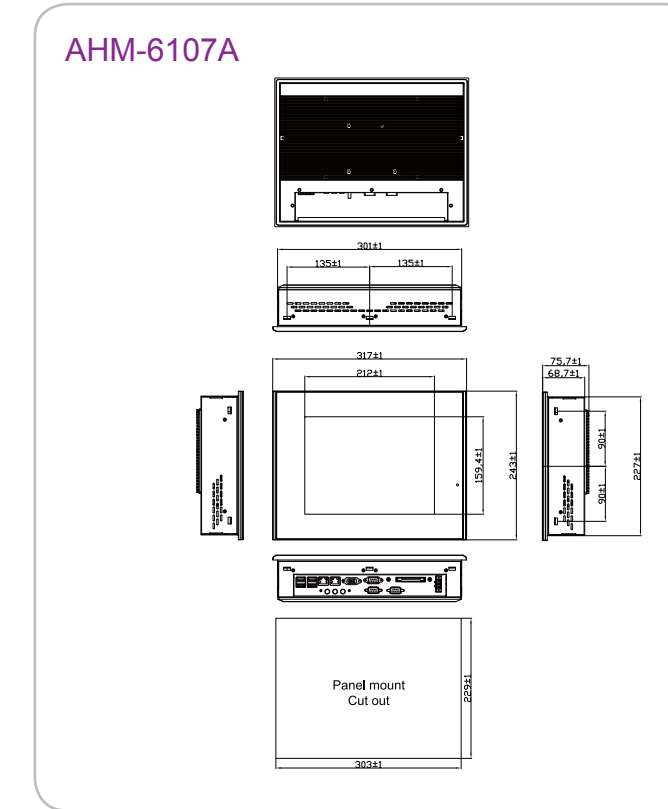
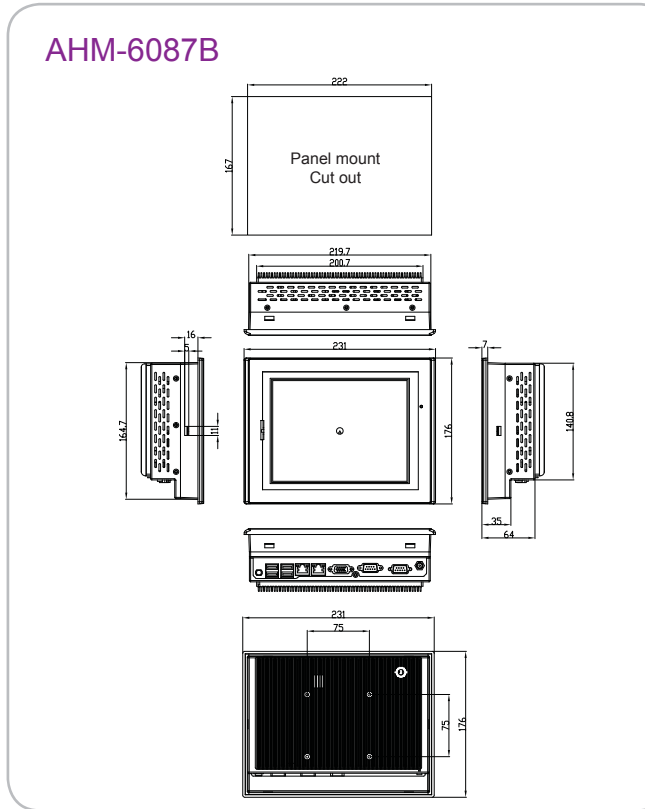
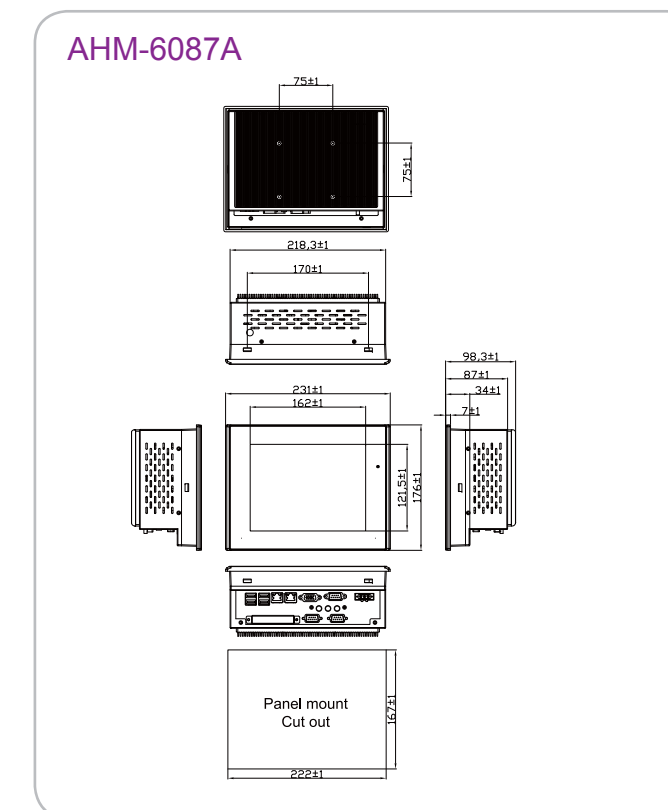
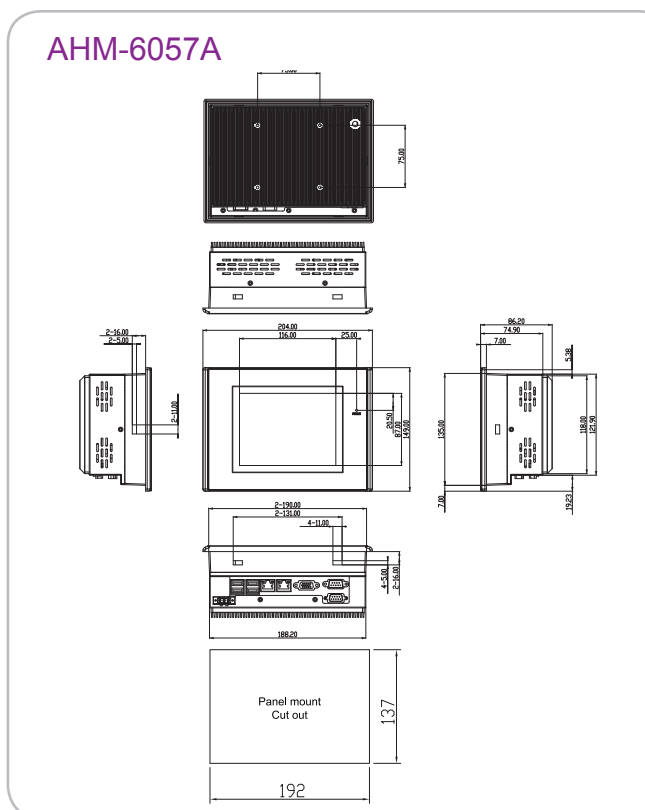
Model No.	AHM-6057A	AHM-6087A	AHM-6087B	AHM-6107A
System				
Processor	Intel Atom N270 1.6 GHz processor, FSB 533 MHz			
System Memory	1 x 200-pin SO-DIMM socket, support up to 2 GB DDR2 SDRAM 533 MHz, default 1GB			
System Chipset	Intel 945GSE + Intel ICH7M			
External I/O Port	<ul style="list-style-type: none"> • 4 x USB ports • 2 x RJ-45 ports • 1 x DB-9 (COM1, RS-232) • 1 x DB-9 (COM2, RS-232/422/485, default RS-232) • 1 x VGA port • 1 x DC power input 	<ul style="list-style-type: none"> • 4 x USB ports • 2 x RJ-45 ports • 2 x DB-9 (COM1/3, RS-232) • 1 x DB-9 (COM2, RS-232/422/485, default RS-232) • 1 x VGA port • 1 x Audio Line-in / Line-out / MIC-in • 1 x DC power input 	<ul style="list-style-type: none"> • 4 x USB ports • 2 x RJ-45 ports • 1 x DB-9 RS-232 (COM1) • 1 x DB-9 (COM2, RS-232/422/485, default RS-232) • 1 x VGA port • 1 x Audio Line-out • 1 x DC power input 	<ul style="list-style-type: none"> • 4 x USB ports • 2 x RJ-45 ports • 2 x DB-9 (COM1/3, RS-232) • 1 x DB-9 (COM2, RS-232/422/485, default RS-232) • 1 x VGA port • 1 x Audio Line-in / Line-out / MIC-in • 1 x DC power input
Solid Storage Disk	<ul style="list-style-type: none"> • 1 x 2.5" SATA HDD • 1 x CF Slot (internal) 	<ul style="list-style-type: none"> • 1 x 2.5" SATA HDD • 1 x CF Slot (external) 	<ul style="list-style-type: none"> • 1 x 2.5" SATA HDD • 1 x CF Slot (internal) 	<ul style="list-style-type: none"> • 1 x 2.5" SATA HDD • 1 x CF Slot (external)
Expansion Slots	None			
OS Support	Windows CE 5.0, XP Pro, XP Embedded, Windows Embedded Standard 7			
LCD				
Display Type	5.7" TFT-LCD	8" TFT-LCD	8" TFT-LCD	10.4" TFT-LCD
Max. Resolution	640x480	800x600	800x600	800 x 600
Max. Color	262K			
Luminance (cd/m²)	400	350	350	250
View Angle	H:140° / V:100°	H:130° / V:110°	H:130° / V:110°	H:130° / V:110°
Backlight Lifetime	40,000 hrs	40,000 hrs	40,000 hrs	30,000 hrs
Touch Screen				
Type	Overlay Resistive Touch			
Light Transmission	80%			
Power Supply				
Power Input	DC 11~32V	DC 11~32V	DC 12V	DC 11~32V
Mechanical				
Construction	Plastic molding front panel and metal housing			
IP Rating	Front Panel IP 65			
Mounting	Panel / VESA 75x75 Mount			
Dimension	204(W)x149(H)x86.2(D) mm	231(W)x176(H)x98.3(D) mm	231(W)x176(H)x64(D) mm	317(W)x243(H)x76(D) mm
Net Weight	3kgs	3.5kgs	3.5kgs	5.5kgs
Environmental				
Operating Temperature	0~50 °C			
Storage Temperature	-20~60 °C			
Storage Humidity	10~90% @40 °C non-condensing			
Certificate	CE/FCC Class A			
Ordering Information				
Model	Description			
AHM-6057A-03	5.7" VGA 640 x 480 fanless HMI with Atom N270 1.6G CPU, 1GB DDR2 533MHz memory, overlay resistive touch screen , 11~32VDC input with adaptor, plastic front/Steel back			
AHM-6087A-02	8" SVGA 800 x 600 fanless HMI with Atom N270 1.6G CPU, 1GB DDR2 533MHz memory, overlay resistive touch screen , 11~32VDC input with adaptor, plastic front/Steel back			
AHM-6087A-27	8" SVGA 800 x 600 fanless HMI with Atom N270 1.6G CPU, 1GB DDR2 533MHz memory, 160GB 2.5" SATA HDD, overlay resistive touch screen , 11~32VDC input with adaptor, plastic front/Steel back			
AHM-6087B-03	8" SVGA 800 x 600 fanless HMI with Atom N270 1.6G CPU, 1GB DDR2 533MHz memory, overlay resistive touch screen , 12VDC input with adaptor, plastic front/Steel back			
AHM-6107A-11	10" SVGA 800 x 600 fanless HMI with Atom N270 1.6G CPU, 1GB DDR2 533MHz memory, overlay resistive touch screen , 11~32VDC input with adaptor, plastic front/Steel back			
AHM-6127A-45	12" SVGA 800 x 600 fanless HMI with Atom N270 1.6G CPU, 1GB DDR2 533MHz memory, overlay resistive touch screen , 11~32VDC input with adaptor, plastic front/Steel back			

AHM-6XX7A Series

AHM-6057A/AHM-6087A/AHM-6087B/AHM-6107A

Dimensions

unit:mm



AHM-6XX7A Series

Low power consumption HMI/Intel Atom N270

Specifications

Model No.	AHM-6127A	AHM-6157A	AHM-6177A	AHM-6197A
System				
Processor	Intel Atom N270 1.6 GHz processor, FSB 533 MHz			
System Memory	1 x 200-pin SO-DIMM socket, support up to 2 GB DDR2 SDRAM 533 MHz, default 1GB			
System Chipset	Intel 945GSE + Intel ICH7M			
External I/O Port	<ul style="list-style-type: none"> • 4 x USB ports • 2 x RJ-45 ports • 2 x DB-9 (COM1/3, RS-232) • 1 x DB-9 (COM2, RS-232/422/485, default RS-232) • 1 x VGA port • 1 x Audio Line-in / Line-out / MIC-in • 1 x DC power input 			
Solid Storage Disk	<ul style="list-style-type: none"> • 1 x 2.5" SATA HDD • 1 x CF Slot (external) 			
Expansion Slots	None			
OS Support	Windows CE 5.0, XP Pro, XP Embedded, Windows Embedded Standard 7			
LCD				
Display Type	12.1" TFT-LCD	15" TFT-LCD	17" TFT-LCD	19" TFT-LCD
Max. Resolution	800x600	1024x768	1280x1024	1280x1024
Max. Color	262K	262K	16.7M	16.7M
Luminance (cd/m ²)	350	300	300	300
View Angle	H:140° / V:110°	H:150° / V:140°	H:170° / V:160°	H:160° / V:160°
Backlight Lifetime	50,000 hrs			
Touch Screen				
Type	Overlay Resistive Touch	Resistive Touch		
Light Transmission	80%			
Power Supply				
Power Input	DC 11~32V			
Mechanical				
Construction	Plastic molding front panel and metal housing	Heavy-duty steel chassis		
IP Rating	Front Panel IP 65			
Mounting	Panel / VESA 75x75 Mount			
Dimension	317(W)x243(H)x75.7(D) mm	410(W)x310(H)x80(D) mm	439(W)x348(H)x83.3(D) mm	484(W)x400(H)x84.3(D) mm
Net Weight	5.82kgs	8.5kgs	10kgs	13.8kgs
Environmental				
Operating Temperature	0~50 °C			
Storage Temperature	-20~60 °C			
Storage Humidity	10~90% @40 °C non-condensing			
Certificate	CE/FCC Class A			

Ordering Information

Model	Description
AHM-6127A-45	12" SVGA 800 x 600 fanless HMI with Atom N270 1.6G CPU, 1GB DDR2 533MHz memory, 160GB 2.5" SATA HDD, overlay resistive touch screen, 11~32VDC input with adaptor, plastic front/Steel back
AHM-6157A-05	15" XGA 1024 x 768 fanless HMI with Atom N270 1.6G CPU, 1GB DDR2 533MHz memory, resistive touch screen, 11~32VDC input with adaptor, Steel enclosure
AHM-6157A-20	15" XGA 1024 x 768 fanless HMI with Atom N270 1.6G CPU, 1GB DDR2 533MHz memory, 160GB 2.5" SATA HDD, resistive touch screen, 11~32VDC input with adaptor, Steel enclosure
AHM-6177A-08	17" SXGA 1280 x 1024 fanless HMI with Atom N270 1.6G CPU, 1GB DDR2 533MHz memory, resistive touch screen, 11~32VDC input with adaptor, Steel enclosure
AHM-6197A-05	19" SXGA 1280 x 1024 fanless HMI with Atom N270 1.6G CPU, 1GB DDR2 533MHz memory, resistive touch screen, 11~32VDC input with adaptor, Steel enclosure

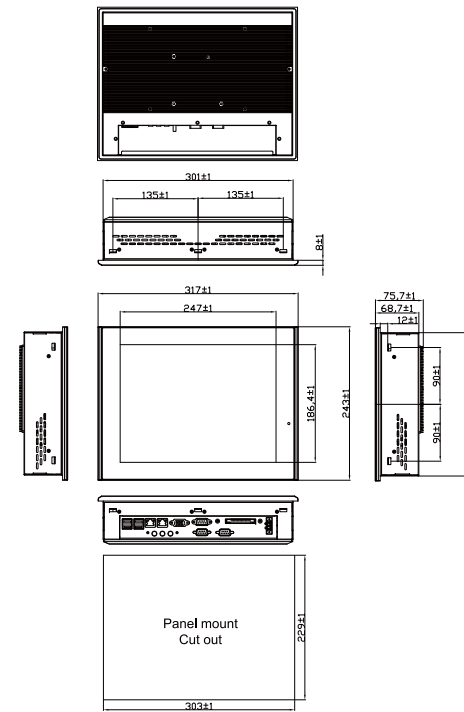
AHM-6XX7A Series

AHM-6127A/AHM-6157A/AHM-6177A/AHM-6197A

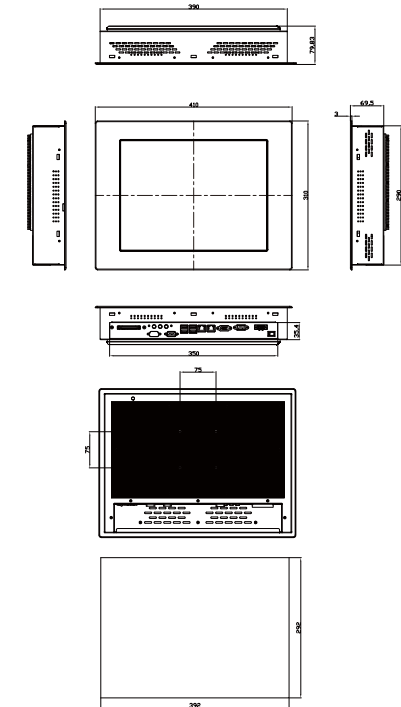
Dimensions

unit:mm

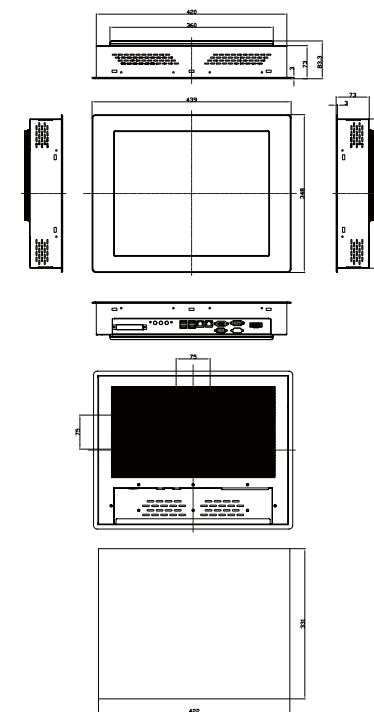
AHM-6127A



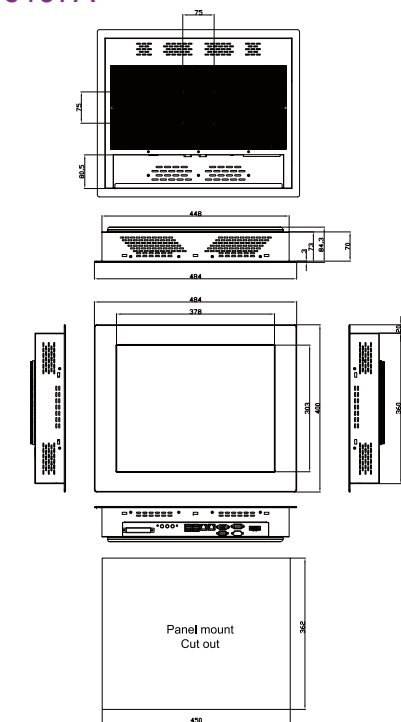
AHM-6157A



AHM-6177A



AHM-6197A



AHM-6XX8 Series

Ultra low power consumption HMI/Intel Atom Z5XX



Features



Ultra Low Power Consumption



Front Panel IP 65



Overlay Resistive Touch



Wide Range DC 11~32V Power Input



On Board 1GB DDR2 400 MHz Memory

AHM-6XX8 Series

AHM-6058/AHM-6088(A)/AHM-6108/AHM-6128

External I/O Port



AHM-6058

- 2 x USB ports
- 2 x RJ-45 ports
- 1 x DB-9 (COM1, RS-232)
- 1 x DB-9 (COM2, RS-232/422/485, default RS-232)
- 1 x Audio Line-out
- 1 x DC power input



AHM-6088



AHM-6088A mini SATA Support



AHM-6108

- 2 x USB ports
- 2 x RJ-45 ports
- 1 x DB-9 (COM1, RS-232)
- 1 x DB-9 (COM2, RS-422/485, default RS-232)
- 1 x VGA port
- 1 x Line-out
- 1 x DC power input



AHM-6128

- 2 x USB ports
- 2 x RJ-45 ports
- 2 x DB-9 (COM1/3, RS-232)
- 1 x DB-9 (COM2, RS-232/422/485, default RS-232)
- 1 x VGA port
- 1 x Line-out
- 1 x DC power input

AHM-6XX8 Series

Ultra low power consumption HMI/Intel Atom Z5XX

Specifications

Model No.	AHM-6088A	AHM-6088	AHM-6058	AHM-6108	AHM-6128
System					
Processor	Intel Atom Z510 P	Intel Atom Z510 1.1 GHz processor, Z530 1.6 GHz for option			
System Memory	1 GB DDR2 400 MHz DRAM				
System Chipset	Intel US15W				
External I/O Port	<ul style="list-style-type: none"> • 4 x USB ports • 1 x RJ-45 ports • 1 x DB-9 (COM1, RS-232) • 1 x DB-9 (COM2, RS-232/422/485, default RS-232) • 1 x DC power input 	<ul style="list-style-type: none"> • 2 x USB ports • 2 x RJ-45 ports • 1 x DB-9 (COM1, RS-232) • 1 x DB-9 (COM2, RS-232/422/485, default RS-232) • 1 x Audio Line-out • 1 x DC power input 	<ul style="list-style-type: none"> • 2 x USB ports • 2 x RJ-45 ports • 1 x DB-9 (COM1, RS-232) • 1 x DB-9 (COM2, RS-422/485, default RS-232) • 1 x VGA port • 1 x Line-out • 1 x DC power input 	<ul style="list-style-type: none"> • 2 x USB ports • 2 x RJ-45 ports • 2 x DB-9 (COM1/3, RS-232) • 1 x DB-9 (COM2, RS-232/422/485, default RS-232) • 1 x VGA port • 1 x Line-out • 1 x DC power input 	<ul style="list-style-type: none"> • 2 x USB ports • 2 x RJ-45 ports • 2 x DB-9 (COM1/3, RS-232) • 1 x DB-9 (COM2, RS-232/422/485, default RS-232) • 1 x VGA port • 1 x Line-out • 1 x DC power input
Solid Storage Disk	<ul style="list-style-type: none"> • 1 x 2.5" SATA HDD • 1 x m SATA Slot 	<ul style="list-style-type: none"> • 1 x 2.5" PATA HDD • 1 x CF Slot (internal) 			
Expansion Slots	None				
OS Support	Windows XP, Windows CE 5.0, XP Pro, XP Embedded				
LCD					
Display Type	8" TFT-LCD	5.7" TFT-LCD	10.4" TFT-LCD	12.1" TFT-LCD	
Max. Resolution	800x600	640x480	800x600	800x600	
Max. Color	262K				
Luminance (cd/m²)	400	400	250	350	
View Angle	H:130° / V:120°	H:140° / V:100°	H:130° / V:110°	H:140° / V:110°	
Backlight Lifetime	40,000 hrs	40,000 hrs	20,000 hrs	50,000 hrs	
Touch Screen					
Type	Overlay Resistive Touch				
Light Transmission	80%				
Power Supply					
Power Input	DC 9-32V	DC 11~32V			
Mechanical					
Construction	Plastic molding housing	Plastic molding front panel and metal housing	Plastic molding housing	Plastic molding front panel and metal housing	
IP Rating	Front Panel IP 65				
Mounting	Panel / VESA 75x75 Mount				
Dimension	231(W)x176(H)x57(D) mm	204(W)x149(H)x65(D) mm	270.5(W)x212.5(H)x57(D) mm	317(W)x243(H)x58(D) mm	
Net Weight	1.7kgs	1.3kgs	1.9kgs	2.8kgs	
Environmental					
Operating Temperature	0~50 °C				
Storage Temperature	-20~60 °C				
Storage Humidity	10~90% @40 °C non-condensing				
Certificate	CE/FCC Class A				

Ordering Information

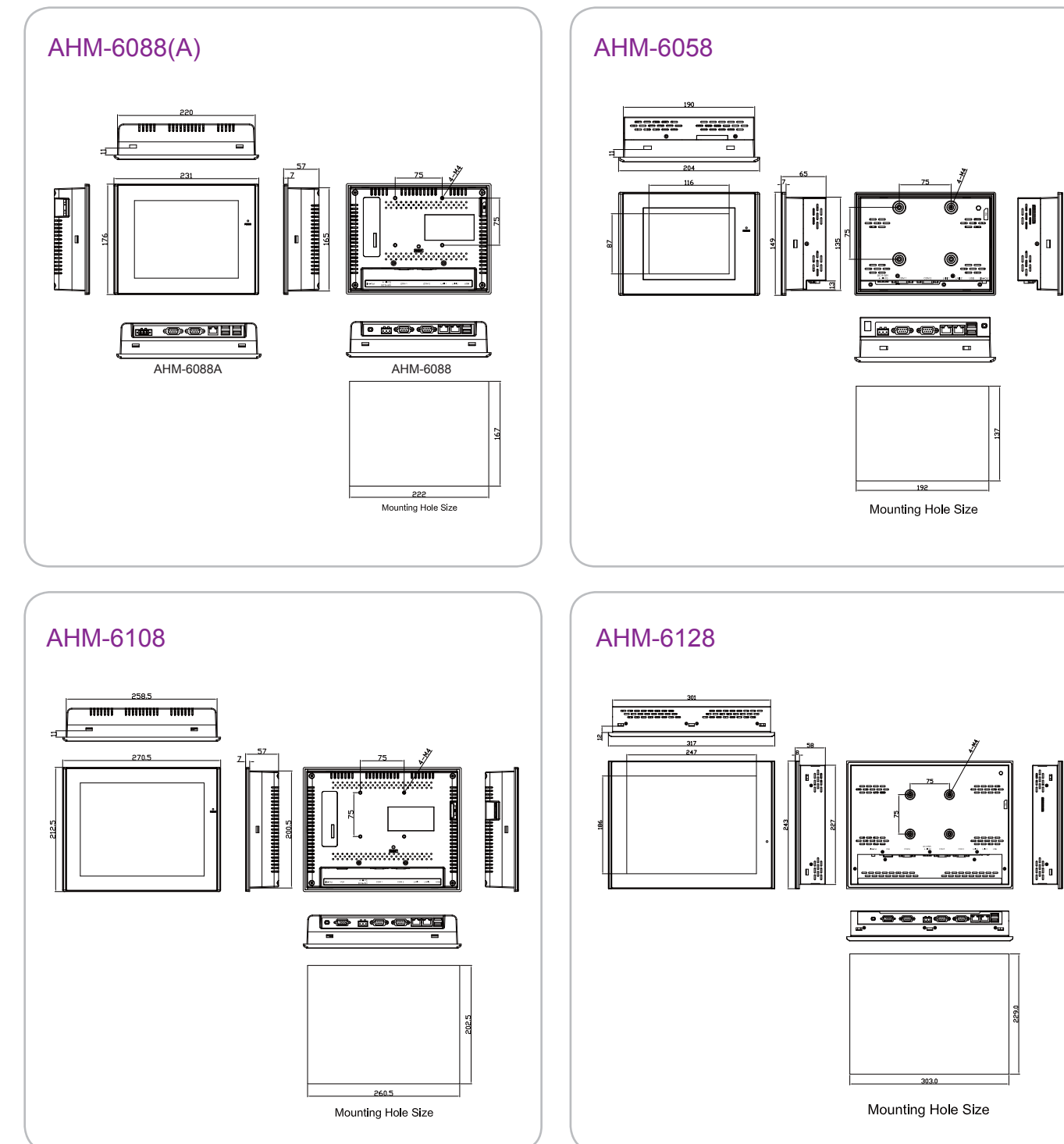
Model	Description
AHM-6058-06	5.7" VGA 640 x 480 HMI, Intel Atom Z510 1.1G CPU , onboard 1GB DDR2 memory,overlay resistive touch screen, 11~32V DC input with adaptor, plastic front/Steel back
AHM-6088-04	8" SVGA 800 x 600 Intel Atom Z510 1.1G CPU , onboard 1GB DDR2 memory,overlay resistive touch screen, 11~32V DC input with adaptor, plastic enclosure
AHM-6088A	8" SVGA 800 x 600 Intel Atom Z510P 1.1G CPU , onboard 1GB DDR2 memory,overlay resistive touch screen, 9~32V DC input with adaptor, plastic enclosure
AHM-6108-03	10" SVGA 800 x 600 Intel Atom Z510 1.1G CPU , onboard 1GB DDR2 memory,overlay resistive touch screen, 11~32V DC input with adaptor, plastic enclosure
AHM-6108-08	10" SVGA 800 x 600 Intel Atom Z530 1.6G CPU , onboard 1GB DDR2 memory,overlay resistive touch screen, 11~32V DC input with adaptor, plastic enclosure

AHM-6XX8 Series

AHM-6058/AHM-6088(A)/AHM-6108/AHM-6128

Dimensions

unit:mm



Ordering Information

Model	Description
AHM-6128-04	12" SVGA 800 x 600 Intel Atom Z510 1.1G CPU , onboard 1GB DDR2 memory,overlay resistive touch screen, 11~32V DC input with adaptor, plastic front/Steel back
AHM-6128-13	12" SVGA 800 x 600 Intel Atom Z530 1.6G CPU , onboard 1GB DDR2 memory,overlay resistive touch screen, 11~32V DC input with adaptor, plastic front/Steel back

AHM-6XX6A Series

NEW PRODUCTS

Performance HMI/Intel Atom D525



AHM-6XX6A Series

AHM-6086A/AHM-6126A/AHM-6156A/AHM-6176A

External I/O Port



AHM-6086A



AHM-6126A



AHM-6156A



Accessible 2.5" SATA hard disk space



Features



Performance Intel Dual Core Fan-less Design



All Solid Capacitor Motherboard



Overlay Resistive Touch



LED Backlight LCD Panel



Supports DDR3 Memory

AHM-6XX6A Series

Performance HMI/Intel Atom D525

Specifications

Model No.	AHM-6086A	AHM-6126A	AHM-6156A	AHM-6176A
System				
Processor	Intel Atom D525 1.8 GHz			
System Memory	1 x 204-pin SO-DIMM socket, supports DDR3 800 Mhz, default 2GB			
System Chipset	Intel ICH8M			
External I/O Port	<ul style="list-style-type: none"> • 4 x USB ports • 2 x RJ-45 ports (GbE) • 1 x DB-15 VGA • 1 x DB-9 RS-232 • 1 x DB-9 RS-422/485 	<ul style="list-style-type: none"> • 4 x USB ports • 2 x RJ-45 ports (GbE) • 1 x DB-15 VGA • 2 x DB-9 RS-232 • 1 x DB-9 RS-422/485 • 1 x DC 3 Pin terminal block power input • 1 x 8 Pin terminal block 2in/2out GPIO, power switch and VCC • 1 x Audio Line-out 3.5mm jack 		
Solid Storage Disk	<ul style="list-style-type: none"> • 1 x 2.5" SATA HDD • 1 x CF Slot (Internal) 	<ul style="list-style-type: none"> • 1 x 2.5" SATA HDD • 1 x CF Slot (external slot for option) 		
Expansion Slots	None			
OS Support	Windows CE 6.0, XP Pro, XP Embedded, Windows Embedded Standard 7			
LCD				
Display Type	8" TFT-LCD	12.1" TFT-LCD	15" TFT-LCD	17" TFT-LCD
Max. Resolution	800x600	800x600	1024x768	1280x1024
Max. Color	262K	262K	16.2M	16.7M
Luminance (cd/m²)	350	350	400	550
View Angle	H:130° / V:110°	H:140° / V:110°	H:160° / V:140°	H:170° / V:160°
Backlight Lifetime	50,000 hrs			
Touch Screen				
Type	Overlay Resistive Touch		Resistive Touch	
Light Transmission	80%			
Power Supply				
Power Input	DC 12V / DC 11~32V (option)			
Mechanical				
Construction	Plastic molding front panel and metal housing		Heavy-duty steel front panel and housing	
IP Rating	Front Panel IP 65			
Mounting	VESA 75x75 Mount			
Dimension	231(W)x176(H)x76.3(D) mm	317(W)x243(H)x76.6(D) mm	410(W)x310(H)x70.55(D) mm	439(W)x348(H)x71.1(D) mm
Net Weight	3.5kgs	5.82kgs	10kgs	TBD
Environmental				
Operating Temperature	0~50 °C			
Storage Temperature	-30~60 °C			
Storage Humidity	10~90% @40 °C non-condensing			
Certificate	CE/FCC Class A			

Ordering Information

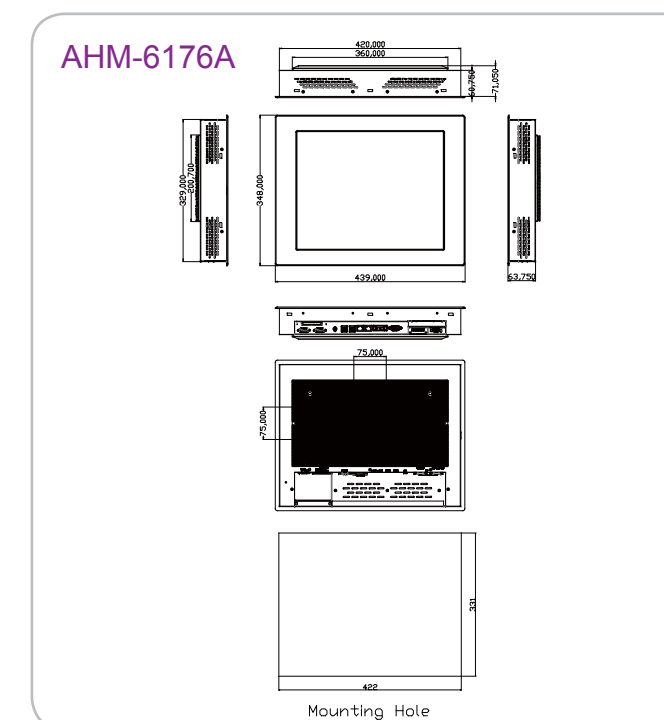
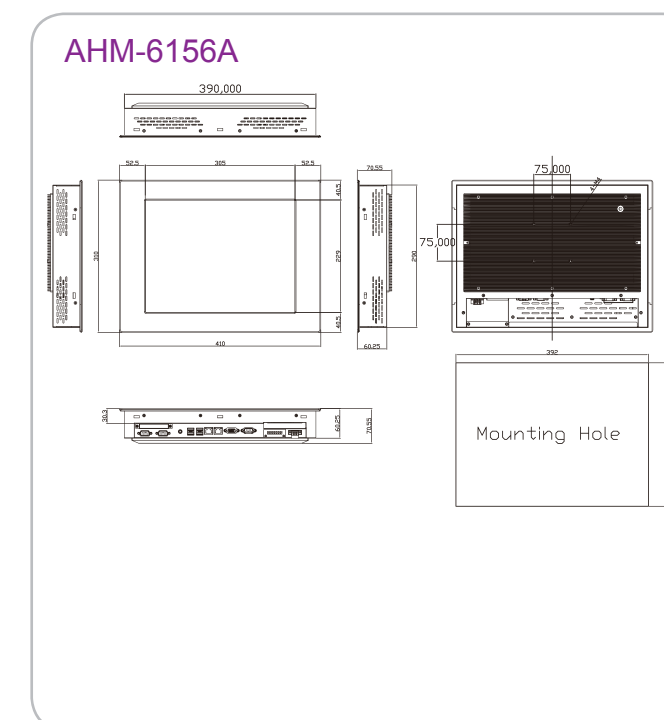
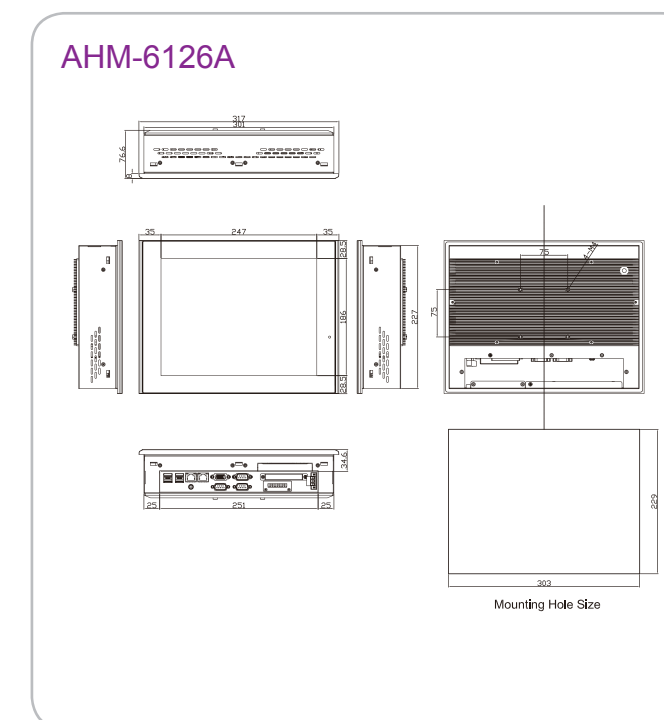
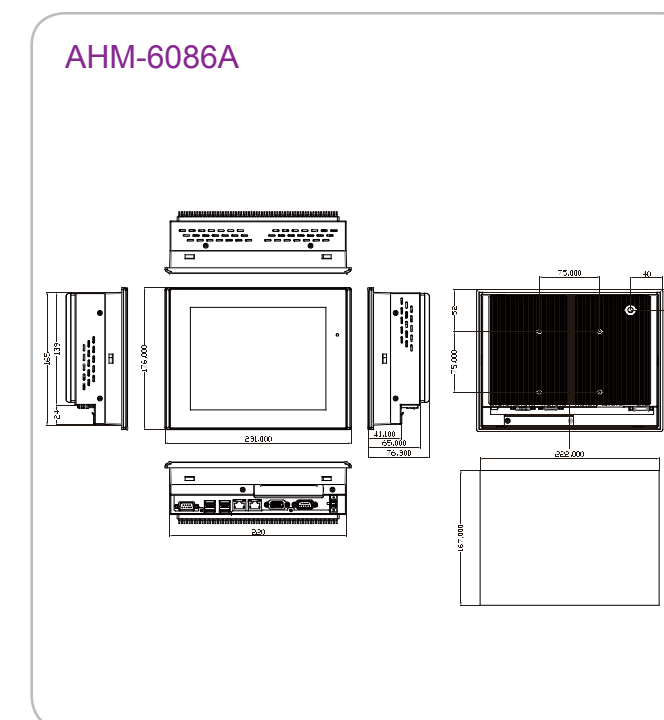
Model	Description
AHM-6086A	8" SVGA 800 x 600 fanless HMI with Atom D525 1.8G CPU,2GB DDR3 800MHz memory, overlay resistive touch screen , 12VDC input with adaptor, plastic front/Steel back
AHM-6126A	12" SVGA 800 x 600 fanless HMI with Atom D525 1.8G CPU,2GB DDR3 800MHz memory, overlay resistive touch screen , 12VDC input with adaptor, plastic front/Steel back
AHM-6126A	12" SVGA 800 x 600 fanless HMI with Atom D525 1.8G CPU,2GB DDR3 800MHz memory, overlay resistive touch screen , 11~32VDC input with adaptor, plastic front/Steel back
AHM-6156A	15" XGA 1024 x 768 fanless HMI with Atom D525 1.8G CPU,2GB DDR3 800MHz memory, resistive touch screen , 12VDC input with adaptor, Steel enclosure
AHM-6156A	15" XGA 1024 x 768 fanless HMI with Atom D525 1.8G CPU,2GB DDR3 800MHz memory, resistive touch screen , 11~32VDC input with adaptor, Steel enclosure

AHM-6XX6A Series

AHM-6086A/AHM-6126A/AHM-6156A/AHM-6176A

Dimensions

unit:mm



Ordering Information

Model	Description
AHM-6176A	17" SXGA 1280 x 1024 fanless HMI with Atom D525 1.8G CPU,2GB DDR3 800MHz memory, resistive touch screen , 12VDC input with adaptor, Steel enclosure
AHM-6196A	19" SXGA 1280 x 1024 fanless HMI with Atom D525 1.8G CPU,2GB DDR3 800MHz memory, resistive touch screen , 12VDC input with adaptor, Steel enclosure

AHM-6XX0 Series

RISC based HMI



Features



Ultra Low Power Consumption, Eco-friendly



External SD Card Slot, Supports up to SDHC 32 GB



ARM9 RISC Based Processor



Expansion Graphic Controller SM502 (For 8" and 12" Size)



Onboard 128 MB System Memory, and 128 MB NAND Flash



Overlay Resistive Touch

AHM-6XX0 Series

AHM-6050/AHM-6080/AHM-6120

External I/O Port



AHM-6050



AHM-6080



AHM-6120

AHM-6050/AHM-6080

- 2 x USB 1.1 Host connector
- 1 x RJ-45 port
- 1 x DB-9 (COM 1, RS-232)
- 1 x DB-9 (COM2,RS-422/485 selection, default RS-485)
- 1 x DC power input

AHM-6120

- 2 x USB 1.1 Host connector
- 1 x RJ-45 port
- 1 x DB-9 (COM 1, RS-232)
- 1 x DB-9 (COM2, RS-422/485 selection, default RS-485)
- 1 x Audio, Line-out
- 1 x DC power input

AHM-6XX0 Series

RISC based HMI

Specifications

Model No.	AHM-6050	AHM-6080	AHM-6120
System			
Processor	SAMSUNG ARM9 S3C2440A-40 400 MHz CPU		
System Memory	128 MB SDRAM		
System Chipset	None		
External I/O Port	<ul style="list-style-type: none"> • 2 x USB 1.1 Host connector • 1 x RJ-45 port • 1 x DB-9 (COM 1, RS-232) • 1 x DB-9 (COM2, RS-422/485 selection, default RS-485) • 1 x DC power input 	<ul style="list-style-type: none"> • 2 x USB 1.1 Host connector • 1 x RJ-45 port • 1 x DB-9 (COM 1, RS-232) • 1 x DB-9 (COM2, RS-422/485 selection, default RS-485) • 1 x DC power input 	<ul style="list-style-type: none"> • 2 x USB 1.1 Host connector • 1 x RJ-45 port • 1 x DB-9 (COM 1, RS-232) • 1 x DB-9 (COM2, RS-422/485 selection, default RS-485) • 1 x Audio, Line-out • 1 x DC power input
Solid Storage Disk	<ul style="list-style-type: none"> • 128MB NAND Flash • 2MB NOR Flash • 1 x SD Slot (stand SD/SDHC card, up to 32GB, support Plug & Play) 		
Expansion Slots	None		
OS Support	Windows CE 5.0		
LCD			
Display Type	5.7" TFT-LCD	8" TFT-LCD	12.1" TFT-LCD
Max. Resolution		800x600	800x600
Max. Color		262K	
Luminance (cd/m²)		400	350
View Angle	H:140° / V:100°	H:130° / V:120°	H:140° / V:110°
Backlight Lifetime		40,000 hrs	50,000 hrs
Touch Screen			
Type	Overlay Resistive Touch		
Light Transmission	80%		
Power Supply			
Power Input	DC 9~32V		
Mechanical			
Construction	Plastic molding housing		Plastic molding front panel and metal housing
IP Rating	Front Panel IP 65		
Mounting	Panel / VESA 75x75 Mount		
Dimension	204(W)x149(H)x61(D) mm	231(W)x176(H)x57(D) mm	317(W)x243(H)x57(D) mm
Net Weight	1.4kgs	1.7kgs	2.8kgs
Environmental			
Operating Temperature	0~50 °C		
Storage Temperature	-20~60 °C		
Storage Humidity	10~90% @40 °C non-condensing		
Certificate	CE/FCC Class A		

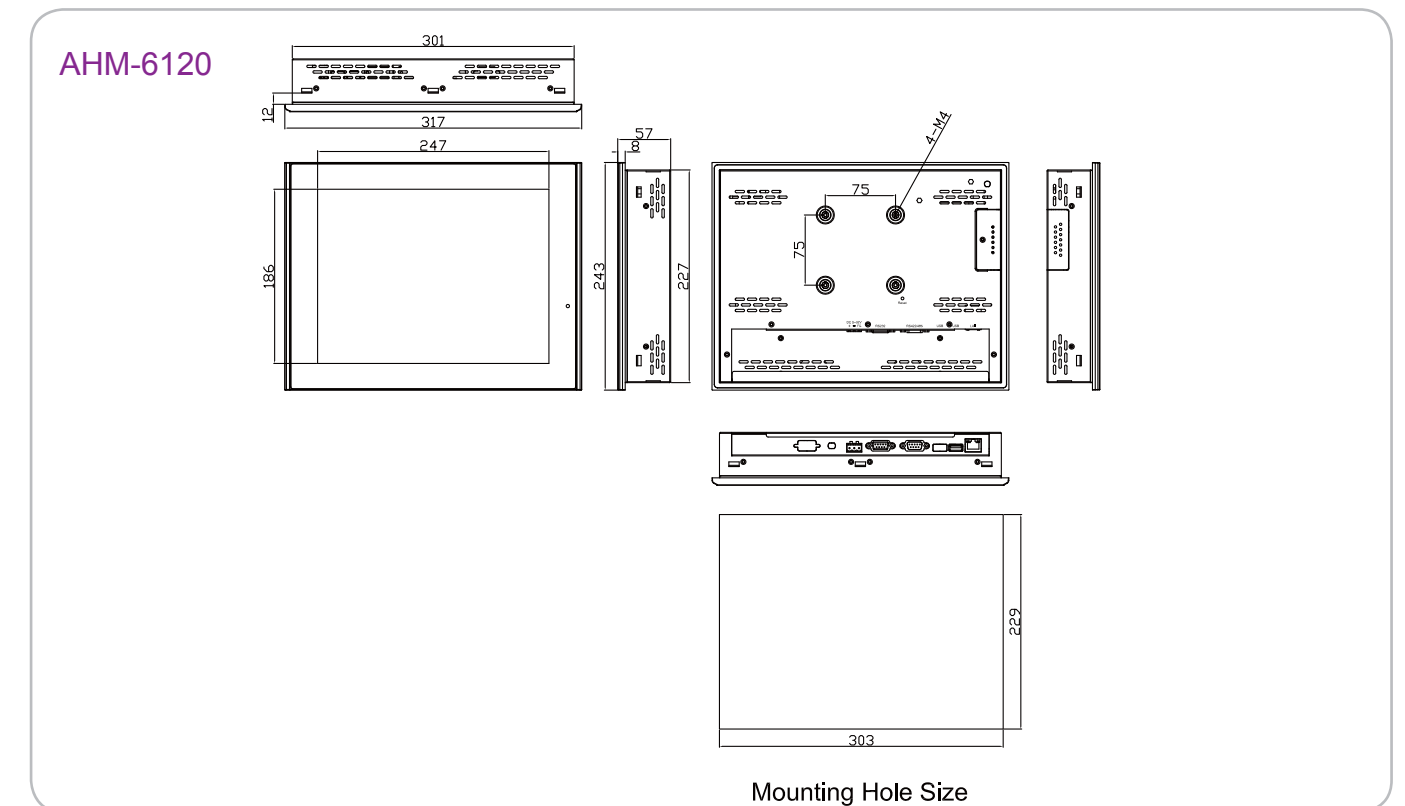
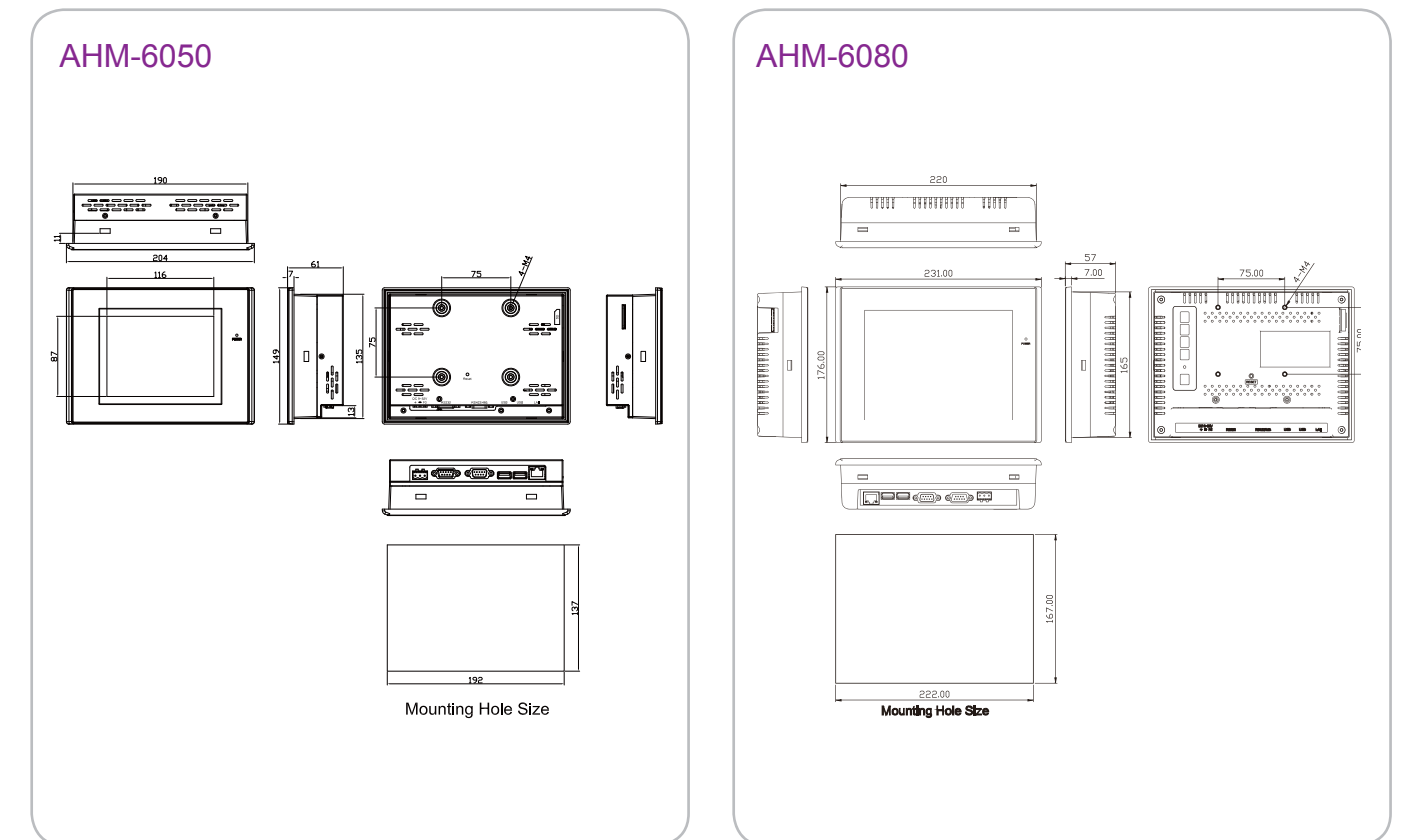
Ordering Information	
Model	Description
AHM-6050-01	5.7" VGA 640 x 480 fanless RISC based HMI with Samsung ARM 2440 with SM502 graph chip, 128MB DRAM, 128MB Flash memory on board, overlay resistive touch screen, 9~32V DC input with adaptor, Win CE 5.0 pre-installed, plastic front/Steel back
AHM-6080-01	8" SVGA 800 x 600 fanless RISC based HMI with Samsung ARM 2440 with SM502 graph chip, 128MB DRAM, 128MB Flash memory on board, overlay resistive touch screen, 9~32V DC input with adaptor, Win CE 5.0 pre-installed, plastic enclosure
AHM-6120-01	12" SVGA 800 x 600 fanless RISC based HMI with Samsung ARM 2440 with SM502 graph chip, 128MB DRAM, 128MB Flash memory on board, overlay resistive touch screen, 9~32V DC input with adaptor, Win CE 5.0 pre-installed, plastic front/ steel back

AHM-6XX0 Series

AHM-6050/AHM-6080/AHM-6120

unit:mm

Dimensions



OPC-5XX7 Series

Open frame HMI/Intel Atom N270



Features



Open Frame, Fanless Design



All Solid Capacitor Motherboard



Cost Effective



Wide Range DC 11~32V Power Input for Option



Touch Screen for Option

OPC-5XX7 Series

OPC-5087/OPC-5127/OPC-5157/OPC-5197

External I/O Port



OPC-5087



OPC-5127



OPC-5157



OPC-5197

OPC-5087/OPC-5127/OPC-5157/OPC-5197

- 4 x USB 2.0
- 2 x GbE RJ-45 LAN port
- 1 x DB-15 VGA
- 1 x DB-9 RS-232
- 2 x DB-9 for RS-232 or RS-422/485 option
- 1 x 3 Pin terminal block DC power input
- Optional CF slot
- Additional terminal block connector

OPC-5XX7 Series

Open frame HMI/Intel Atom N270

Specifications

Model No.	OPC-5087	OPC-5127	OPC-5157	OPC-5197
System				
Processor	Intel Atom N270 processor			
System Memory	1GB DDR2 SODIMM 533 MHz ,up to 2GB, default 1GB			
System Chipset	Intel 945GSE + Intel ICH7M			
External I/O Port	<ul style="list-style-type: none"> • 4 x USB 2.0 • 2 x GbE RJ-45 LAN port • 1 x DB-15 VGA • 1 x DB-9 RS-232 • 2 x DB-9 for RS-232 or optional RS-422/485 • 1 x 3 Pin terminal block DC power input • 1 x 4 Pin terminal block, 2 Pin for power on/off connector, 1 Pin for ground, 1 Pin as VCC 	<ul style="list-style-type: none"> • 4 x USB 2.0 • 2 x GbE RJ-45 LAN port • 1 x DB-15 VGA • 1 x DB-9 RS-232 • 2 x DB-9 for RS-232 or optional RS-422/485 • 1 x 3 Pin terminal block DC power input • 1 x 8 Pin terminal block, 2 Pin for power on/off connector, 1 Pin for ground, 1 Pin as VCC, and 2 in/out DIO • 1 x CF slot (external) for option 		
Solid Storage Disk	<ul style="list-style-type: none"> • 1 x 2.5" SATA HDD • 1 x CF Slot (Internal) 	<ul style="list-style-type: none"> • 1 x 2.5" SATA HDD • 1 x CF Slot (Internal), external slot for option 		
Expansion Slots	None			
OS Support	Windows XP Professional, XP Embedded			
LCD				
Display Type	8" TFT-LCD	12" TFT-LCD	15" TFT-LCD	19" TFT-LCD
Max. Resolution	800x600	800x600	1024 x 768	1280x1024
Max. Color	262K	262K	16.7M	16.7M
Luminance (cd/m²)	350			
View Angle	H:130° / V:110°	H:140° / V:110°	H:125° / V:140°	H:125° / V:140°
Backlight Lifetime	50,000 hrs			
Touch Screen				
Type	Resistive Touch (Option)			
Light Transmission	80%			
Power Supply				
Power Input	DC 12V, DC 11~32V for option			
Mechanical				
Construction	Steel molding housing			
IP Rating	None			
Mounting	Panel mount			
Dimension	222(W)x176(H)x64.6(D) mm	300(W)x230(H)x68.5(D)mm	362(W)x266(H)x68.5(D)mm	362(W)x266(H)x68.5(D)mm
Net Weight	TBD			
Environmental				
Operating Temperature	0~40 °C without fan / 0~60 °C with fan			
Storage Temperature	-20~70 °C			
Storage Humidity	10~90% @40 °C non-condensing			
Certificate	CE/FCC Class A			

Ordering Information

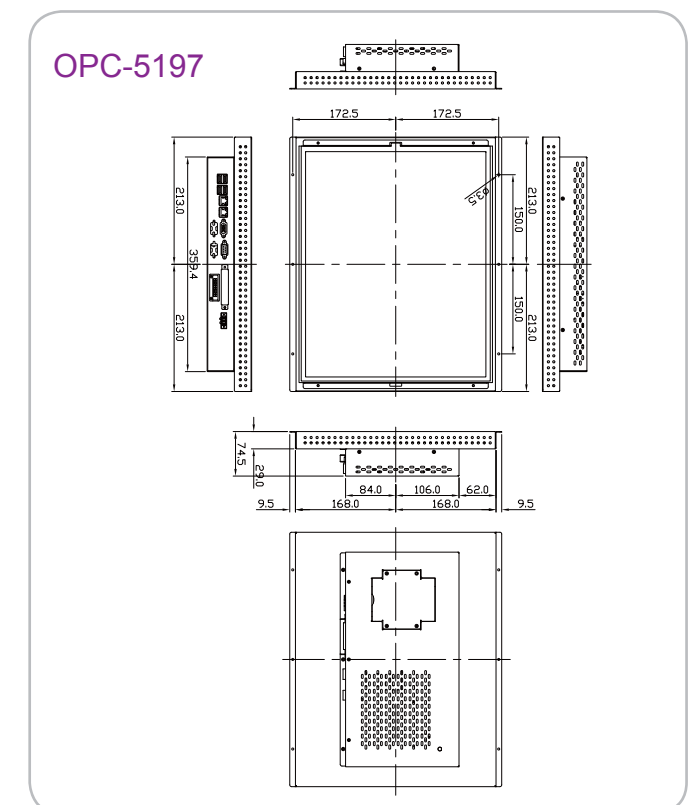
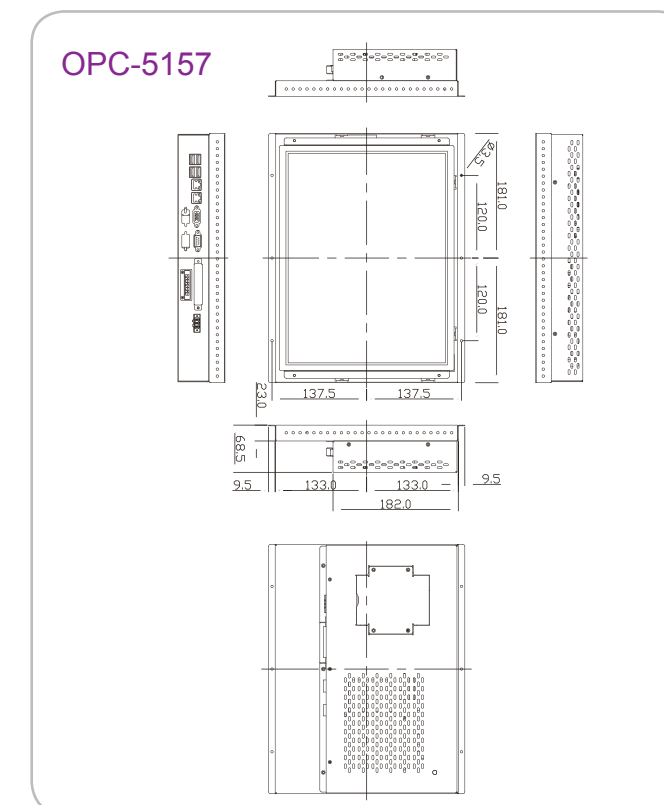
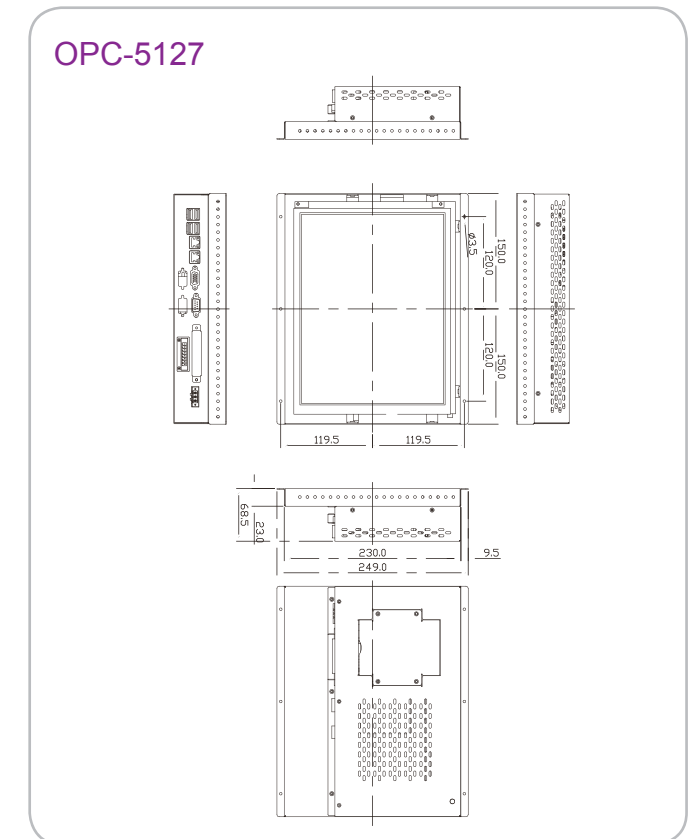
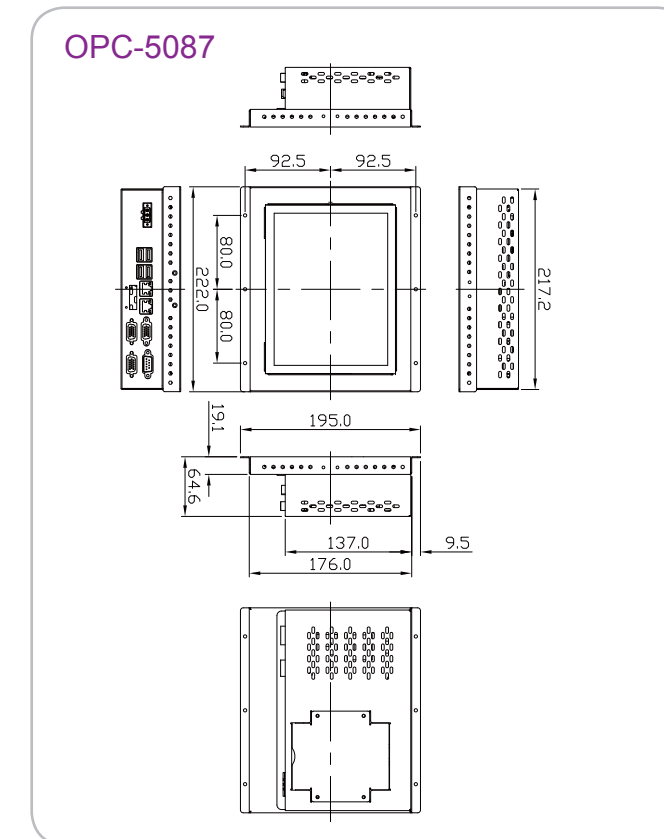
Model	Description
OPC-5087	8" SVGA 800 x 600 fanless open frame PC with Atom N270 1.6G CPU , 1GB DDR2 533MHZ Memory, 12V DC input with adaptor, steel enclosure
OPC-5127	12" SVGA 800 x 600 fanless open frame PC with Atom N270 1.6G CPU, 1GB DDR2 533MHZ Memory, 12V DC input with adaptor, steel enclosure
OPC-5157	15" XGA 1024 x768 fanless open frame PC with Atom N270 1.6G CPU, 1GB DDR2 533MHZ Memory, 12V DC input with adaptor, steel enclosure
OPC-5197	19" SVGA 1280 x1024 fanless open frame PC with Atom N270 1.6G CPU, 1GB DDR2 533MHZ Memory, 12V DC input with adaptor, steel enclosure

OPC-5XX7 Series

OPC-5087/OPC-5127/OPC-5157/OPC-5197

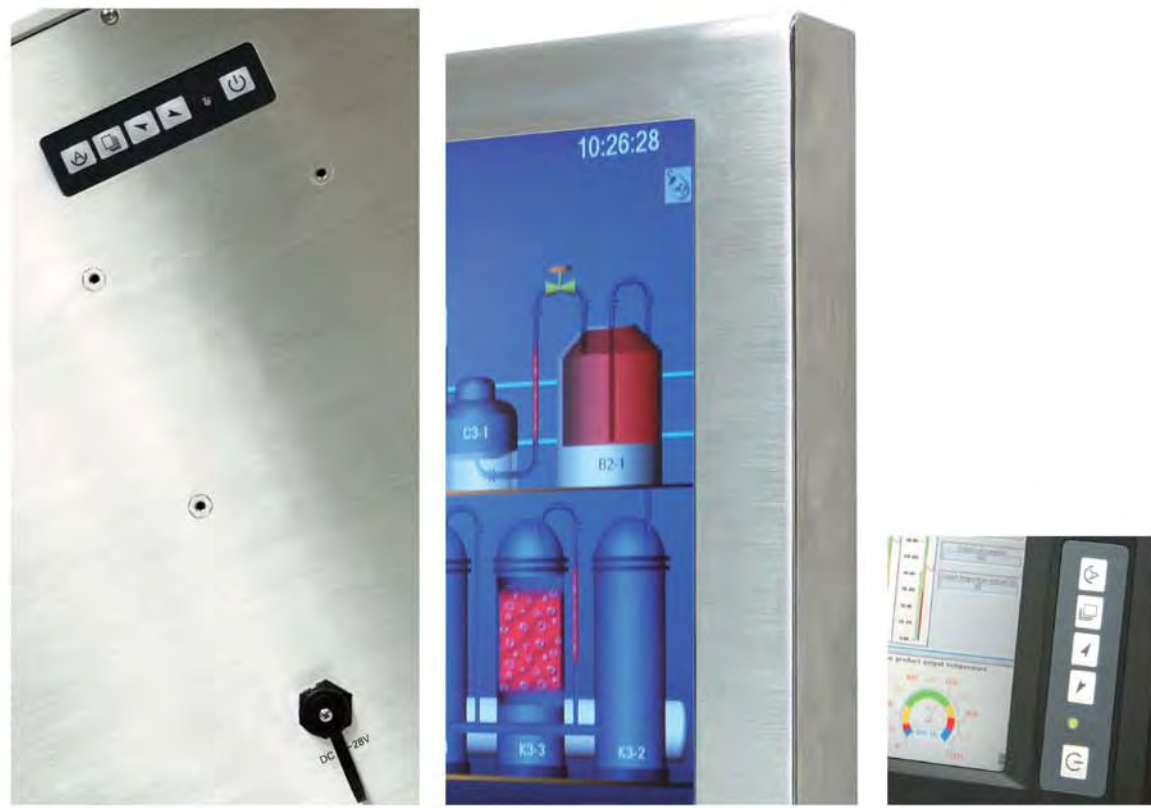
Dimensions

unit:mm





ADP & OPD product Line



Waterproof IP 67 Display
Aluminum front bezel and stainless steel back cover



Stainless Steel Display
Sturdy stainless steel, 6 or 5 sides IP 65 design



High-Brightness Display
LED backlight TFT LCD, 1000 nits brightness



Industrial Display
Heavy duty steel, OSD at front side or rear side



Open Frame Display
Let you customize the look of your display

Display & Open Frame Display ADP & OPD Product Line

There is no doubt about it: we offers a complete line of display products for industrial applications. In 2011, we developed a new ruggedized display designed for use in harsh environments with a combination aluminum die-cast front bezel and stainless steel back cover, and it is entirely waterproof with an IP 67 waterproof rating. For use in bright environments with high levels of ambient light, Apex has built a high-brightness series of monitors which utilize LED backlight technology. For the food and chemical industries, or other industries with similar demands, we now offers sturdy stainless steel monitors that can be IP 65 rated on 5 or 6 sides. For human-machine interface applications, we offer a small flat bezel overlay touch screen display. For general applications, there are sturdy and durable industrial displays with steel construction. An open-frame series of displays ranging from 5.7" to 26" is also available from us for customers that wish to customize the look of their display.

ADP/OPD display products from us allow customers to customize input options as well. The customer can choose a VGA-only product if only VGA is needed, or choose a DVI-equipped model when DVI is required. In addition, most of our models support power input voltages between DC 11~32V and are equipped with an industrial standard terminal block connector. Some of the DC 12V power input products use power jack connectors with screw-locks.

All of the above products are part of the line-up of the reliable and durable industrial displays available to you.

ADP-1XX7 Series

Waterproof IP 67 Display



Features



IP 67 Waterproof



Wide Working Temperature -20~65 °C



Aluminum Front Bezel



Wide Range DC 11~32V Power Input



LED Backlight LCD Panel

ADP-1XX7 Series

ADP-1107/ADP-1157

External I/O Port



Display



ADP-1107/ADP-1157

- 1 x VGA input
- 1 x DC power input

ADP-1XX7 Series

Waterproof IP 67 Display

Specifications

Model No.	ADP-1107	ADP-1157 (Q1 / 2012)
LCD		
Display Type	10.4" TFT- LCD	15" TFT- LCD
Max. Resolution	800x600	1024x768
Max. Color	262K	
Luminance (cd/m2)	400	350, 800 for option
View Angle	H:160° / V:140°	H:140° / V:125°
Backlight Lifetime	50,000 hrs	
System		
Input Signal	RGB	
On Screen Display Control	On the front side	
External I/O Port	<ul style="list-style-type: none"> • 1 x VGA input • 1 x DC power input 	
Power Supply		
Power Input	DC 11~32V	
Touch Screen		
Type	Optional Antiglare resistive or Projective Capacitive	
Light Transmission	80%	
Mechanical		
Construction	Aluminum front bezel and stainless steel back cover	Aluminum front bezel and steel enclosure
IP Rating	IP 67	
Mounting	VESA 75x75 Mount	VESA 100x100 Mount
Dimension	335(W)x240(H)x60(D) mm	427(W)x309(H)x70(D) mm
Net Weight	4.5kgs	6kgs
Environmental		
Operating Temperature	-20~65 °C	
Storage Temperature	-30~80 °C	
Storage Humidity	10~90% @40 °C non-condensing	
Certificate	CE/FCC Class A	

Ordering Information

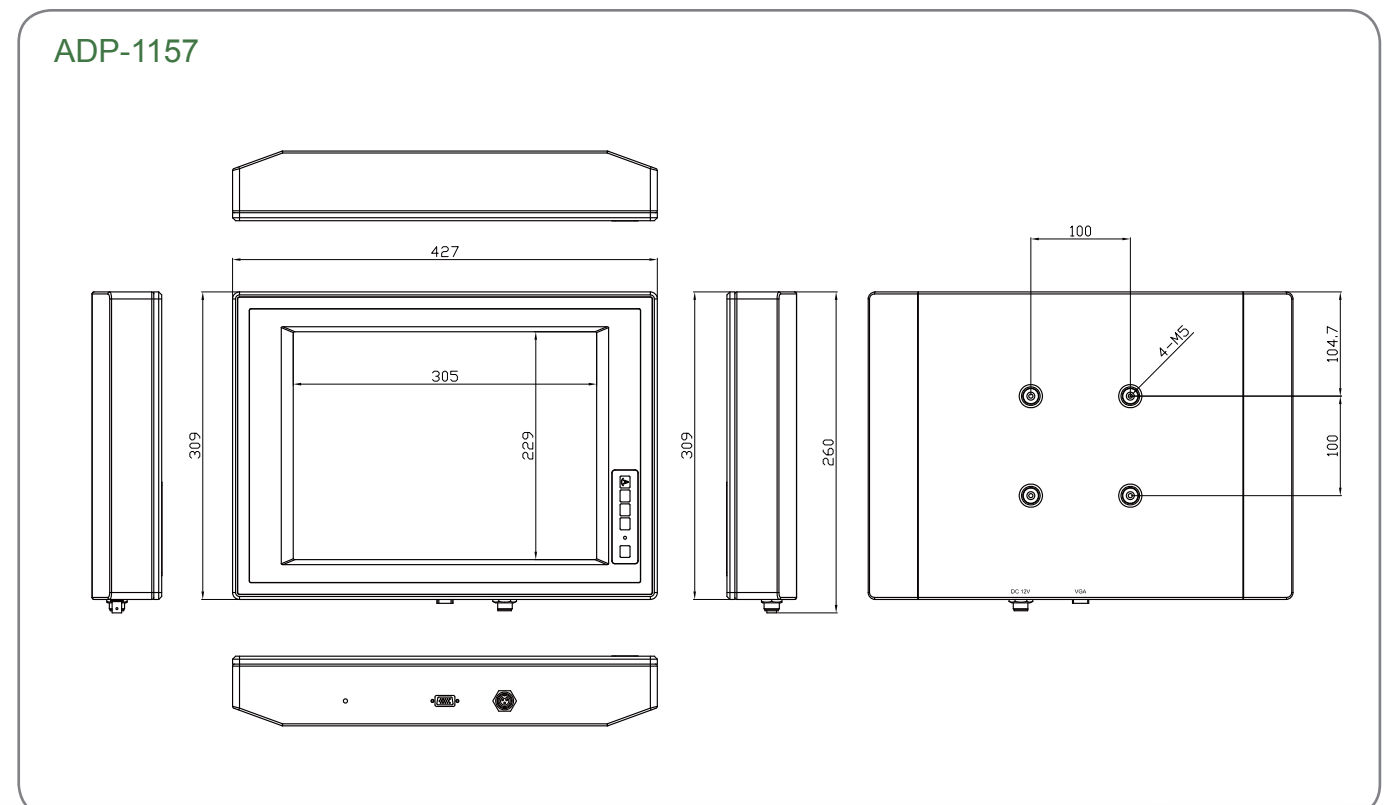
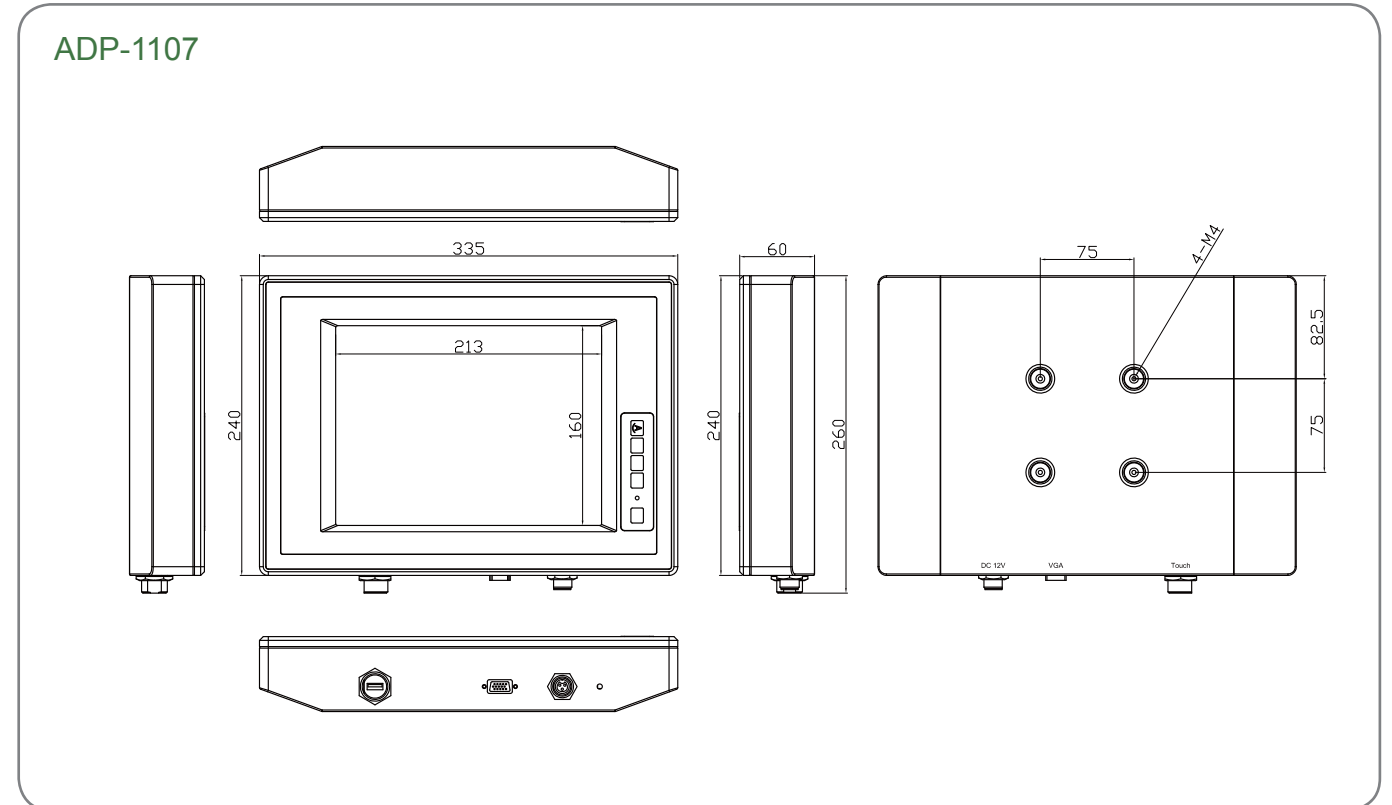
Model	Description
ADP-1107T	10" SVGA 800 x 600 total IP67 waterproof display, VGA input, OSD on the front, bounging resistive touch USB interface, 11~32V DC input with adaptor, aluminum front/stainless steel back
ADP-1157T	15" XGA 1024 x 768 total IP67 waterproof display, VGA input, OSD on the front, bounging resistive touch USB interface, 11~32V DC input with adaptor, aluminum front/stainless steel back

ADP-1XX7 Series

ADP-1107/ADP-1157

Dimensions

unit:mm



ADP-1XX3 Series

Stainless Steel Display



Features



Stainless Steel Housing



Wide Range
DC 11~32V Power Input



Total IP 65



Rear OSD

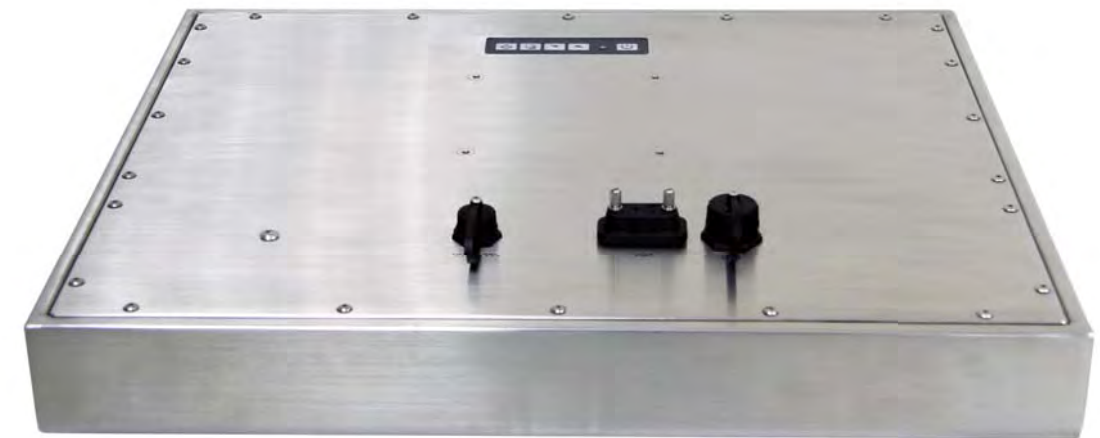


Optional Touch Screen

ADP-1XX3 Series

ADP-1153/ADP-1193

External I/O Port



ADP-1153/ADP-1193

Default:

- 1 x VGA Input
- 1 x DC

Optional:

- Touch I/O

ADP-1XX3 Series

Stainless Steel Display

Specifications

Model No.	ADP-1153	ADP-1193
LCD		
Display Type	15" TFT- LCD	19" TFT- LCD
Max. Resolution	1024x768	1280X1024
Max. Color	16.7M	
Luminance (cd/m2)	300	350
View Angle	H:150° / V:140°	H:170° / V:160°
Backlight Lifetime	50,000 hrs	
System		
On Screen Display Control	On the rear side	
External I/O Port	Default: • 1 x VGA Input • 1 x DC Optional: • Touch I/O	
Power Supply		
Power Input	DC 11~32V	
Touch Screen		
Type	Resistive Touch	
Mechanical		
Construction	Stainless Steel Enclosure	
IP Rating	IP 65	
Mounting	VESA 75x75 Mount	VESA 100x100 Mount
Dimension	399(W)x324(H)x53(D) mm	470(W)x388.6(H)x60(D) mm
Net Weight	6.8kgs	9.9kgs
Environmental		
Operating Temperature	0~50 °C	
Storage Temperature	-20~60 °C	
Storage Humidity	10~90% @40 °C non-condensing	
Certificate	CE/FCC Class A	

Ordering Information

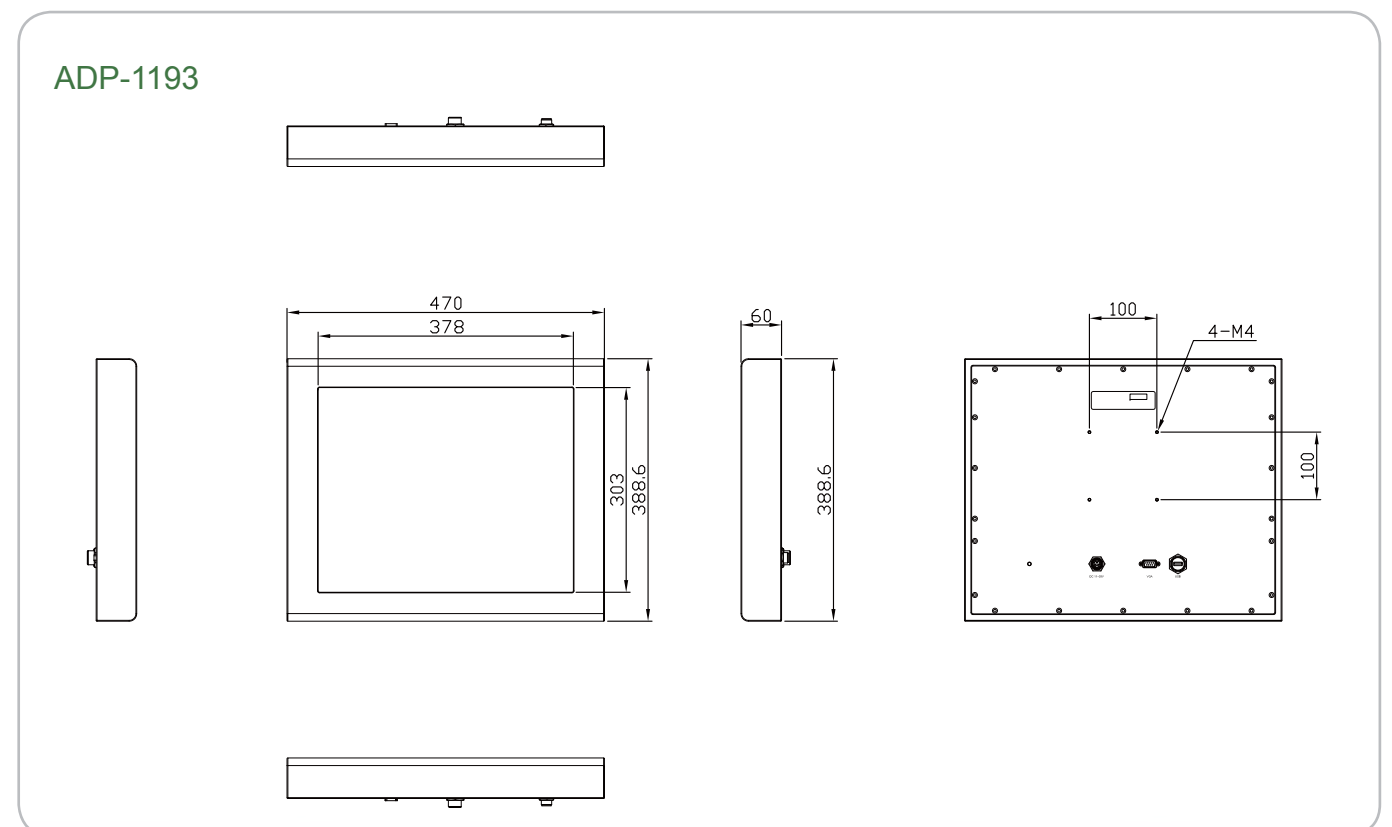
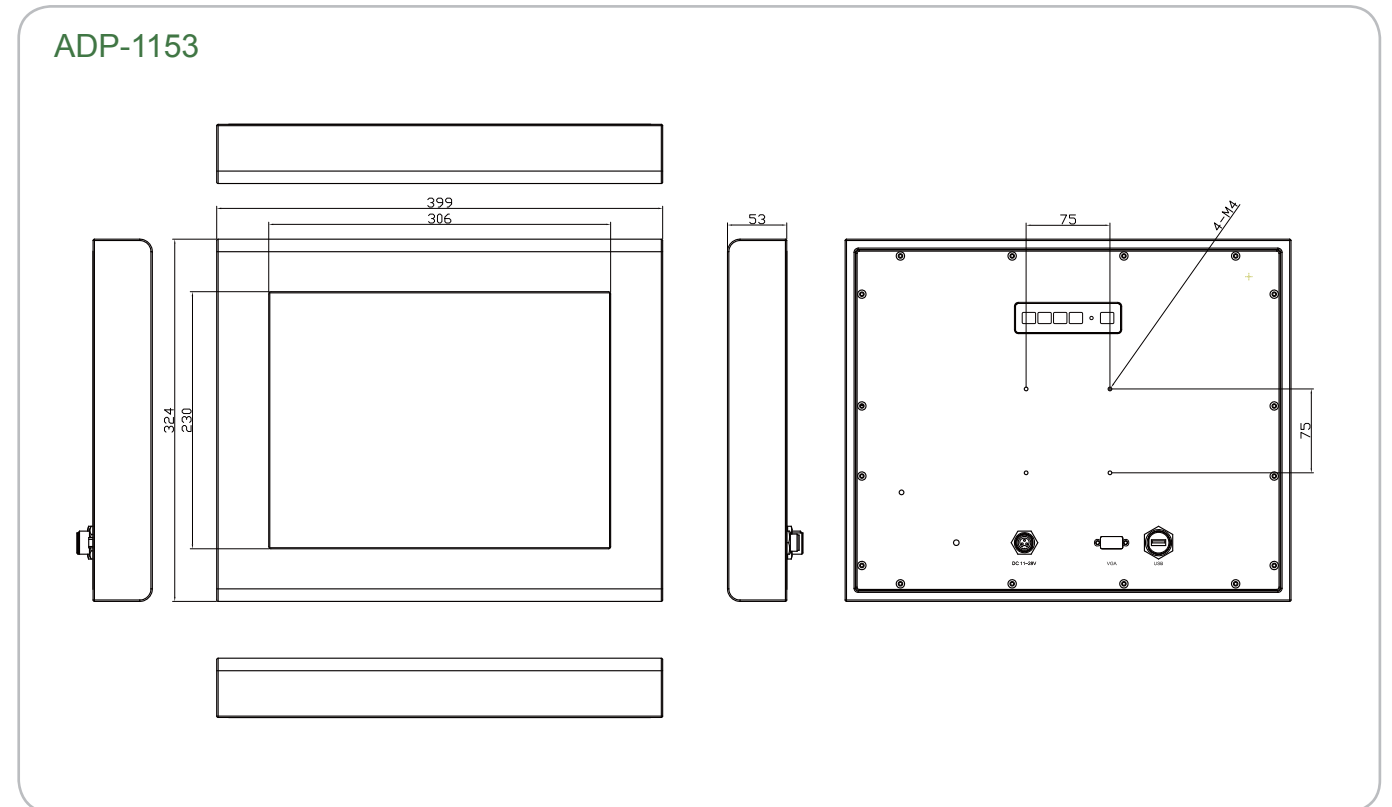
Model	Description
ADP-1153T-02	15" XGA 1024 x 768 total IP65 display ,VGA input, OSD on the back side, resistive touch USB interface,11~32V DC input with adaptor, stainless steel enclosure
ADP-1193T-01	19" SXGA 1280 x 1024 total IP65 display ,VGA input, OSD on the back side, resistive touch USB interface,11~32V DC input with adaptor, stainless steel enclosure

ADP-1XX3 Series

ADP-1153/ADP-1193

Dimensions

unit:mm

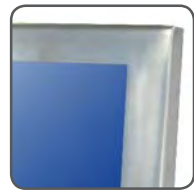


ADP-1XX6 Series

Stainless Steel Display



Features



Stainless Steel,
Sturdy and Reliable



Rear OSD



IP 65 Except I/O Side



Flexible Optional I/O



Wide Range DC 11~32V
Power Input

ADP-1XX6 Series

ADP-1156/ADP-1176/ADP-1196

External I/O Port



ADP-1176



ADP-1156



ADP-1196

ADP-1156/ADP-1176/ADP-1196

Default:

- 1 x VGA input
- 1 x DC power input

Optional:

- DVI, S-Video, Touch I/O, DC 12V input

ADP-1XX6 Series

Stainless Steel Display

Specifications

Model No.	ADP-1156	ADP-1176	ADP-1196
LCD			
Display Type	15" TFT- LCD	17" TFT- LCD	19" TFT- LCD
Max. Resolution	1024x768	1280x1024	1280x1024
Max. Color	262K	262K	16.7M
Luminance (cd/m ²)	350	300	300
View Angle	H:150° / V:140°	H:140° / V:130°	H:160° / V:160°
Backlight Lifetime	50,000 hrs	40,000 hrs	20,000 hrs
System			
Input Signal	RGB		
On Screen Display Control	On the rear side		
External I/O Port	Default: • 1 x VGA input • 1 x DC power input Optional: • DVI, S-Video, Touch I/O, DC 12V input		
Power Supply			
Power Input	DC 11~32V		
Touch Screen			
Type	Resistive (optional)		
Mechanical			
Construction	Stainless Steel Enclosure		
IP Rating	IP 65 except I/O side		
Mounting	VESA 75x75 Mount	VESA 75x75 Mount	VESA 100x100 Mount
Dimension	398(W)x316(H)x53(D) mm	432(W)x358(H)x57.4(D) mm	470(W)x388.6(H)x60(D) mm
Net Weight	5.74kgs	7kgs	8kgs
Environmental			
Operating Temperature	0~50 °C		
Storage Temperature	-20~60 °C		
Storage Humidity	10~90% @40 °C non-condensing		
Certificate	CE/FCC Class A		

Ordering Information

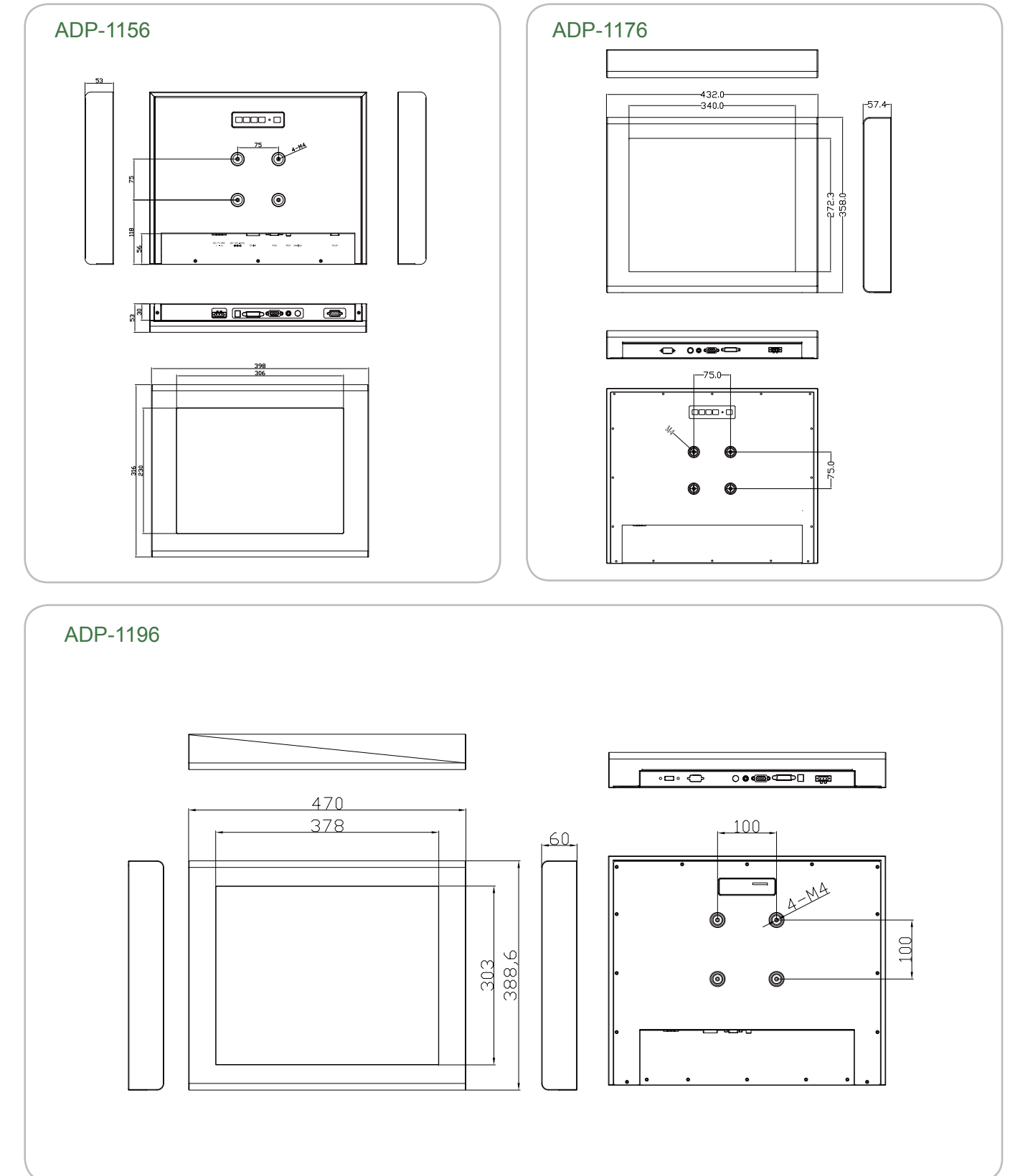
Model	Description
ADP-1156T-09	15" XGA 1024 x 768 5 sides IP65 display ,VGA input, OSD on the back side, resistive touch USB interface,11~32V DC input with adaptor, stainless steel enclosure
ADP-1156T-08	15" XGA 1024 x 768 5 sides IP65 display ,VGA/DVI/S-Video input, OSD on the back side, resistive touch USB interface,11~32V DC input with adaptor, stainless steel enclosure
ADP-1156-02	15" XGA 1024 x 768 5 sides IP65 display ,VGA input, OSD on the back side, no touch, 11~32V DC input with adaptor, stainless steel enclosure
ADP-1176T-04	17" SXGA 1280 x 1024 5 sides IP65 display ,VGA input, OSD on the back side, resistive touch USB interface,11~32V DC input with adaptor, stainless steel enclosure
ADP-1176T-08	17" SXGA 1280 x 1024 5 sides IP65 display ,VGA/DVI/S-Video input, OSD on the back side, resistive touch USB interface,11~32V DC input with adaptor, stainless steel enclosure
ADP-1196T-02	19" SXGA 1280 x 1024 5 sides IP65 display ,VGA input, OSD on the back side, resistive touch USB interface,11~32V DC input with adaptor, stainless steel enclosure
ADP-1196T-04	19" SXGA 1280 x 1024 5 sides IP65 display ,VGA/DVI/S-Video input, OSD on the back side, resistive touch USB interface,11~32V DC input with adaptor, stainless steel enclosure
ADP-1196-01	19" SXGA 1280 x 1024 5 sides IP65 display ,VGA input, OSD on the back side, no touch ,11~32V DC input with adaptor, stainless steel enclosure

ADP-1XX6 Series

ADP-1156/ADP-1176/ADP-1196

Dimensions

unit:mm



NEW

ADP-1XX5A Series

High Brightness Display



ADP-1XX5A Series

ADP-1125A/ADP-1155A/ADP-1195A

External I/O Port



ADP-1125A



ADP-1155A



ADP-1195A

Features



High Brightness



AC 100-240V Power



LED Backlight LCD



Flexible Optional I/O



Front or Rear OSD

ADP-1125A/ADP-1155A/ADP-1195A

Default:

- 1 x VGA input
- 1 x AC 100~240V power input

Optional:

- DVI, S-Video, Touch I/O

ADP-1XX5A Series

High Brightness Display

Specifications

Model No.	ADP-1125A (Q1 / 2012)	ADP-1155A (Q1 / 2012)	ADP-1195A NEW
LCD			
Display Type	12" TFT- LCD	15" TFT-LCD	19" TFT- LCD
Max. Resolution	800x600	1024x768	1280x1024
Max. Color	262K	262K	16.7M
Luminance (cd/m ²)	1000		
View Angle	H:140° / V:110°	H:150° / V:120°	H:170° / V:160°
Backlight Lifetime	50,000 hrs		
System			
Input Signal	RGB		
On Screen Display Control	On the rear side	On the rear side	On the front side
External I/O Port	Default: • 1 x VGA input • 1 x AC 100~240V power input Optional: • DVI, S-Video, Touch I/O		
Power Supply			
Power Input	AC 100-240V		
Touch Screen			
Type	Resistive (optional)		
Light Transmission	80%		
Mechanical			
Construction	Metal Enclosure		
IP Rating	Front Panel IP 65		
Mounting	Panel / VESA 75x75 Mount		
Dimension	340(W)x260(H)x60.3(D) mm	410(W)x310(H)x60.3(D) mm	467(W)x379(H)x64.9(D) mm
Net Weight	4.14kgs	5.74kgs	8kgs
Environmental			
Operating Temperature	0~50 °C		
Storage Temperature	-20~60 °C		
Storage Humidity	10~90% @40 °C non-condensing		
Certificate	CE/FCC Class A		

Ordering Information

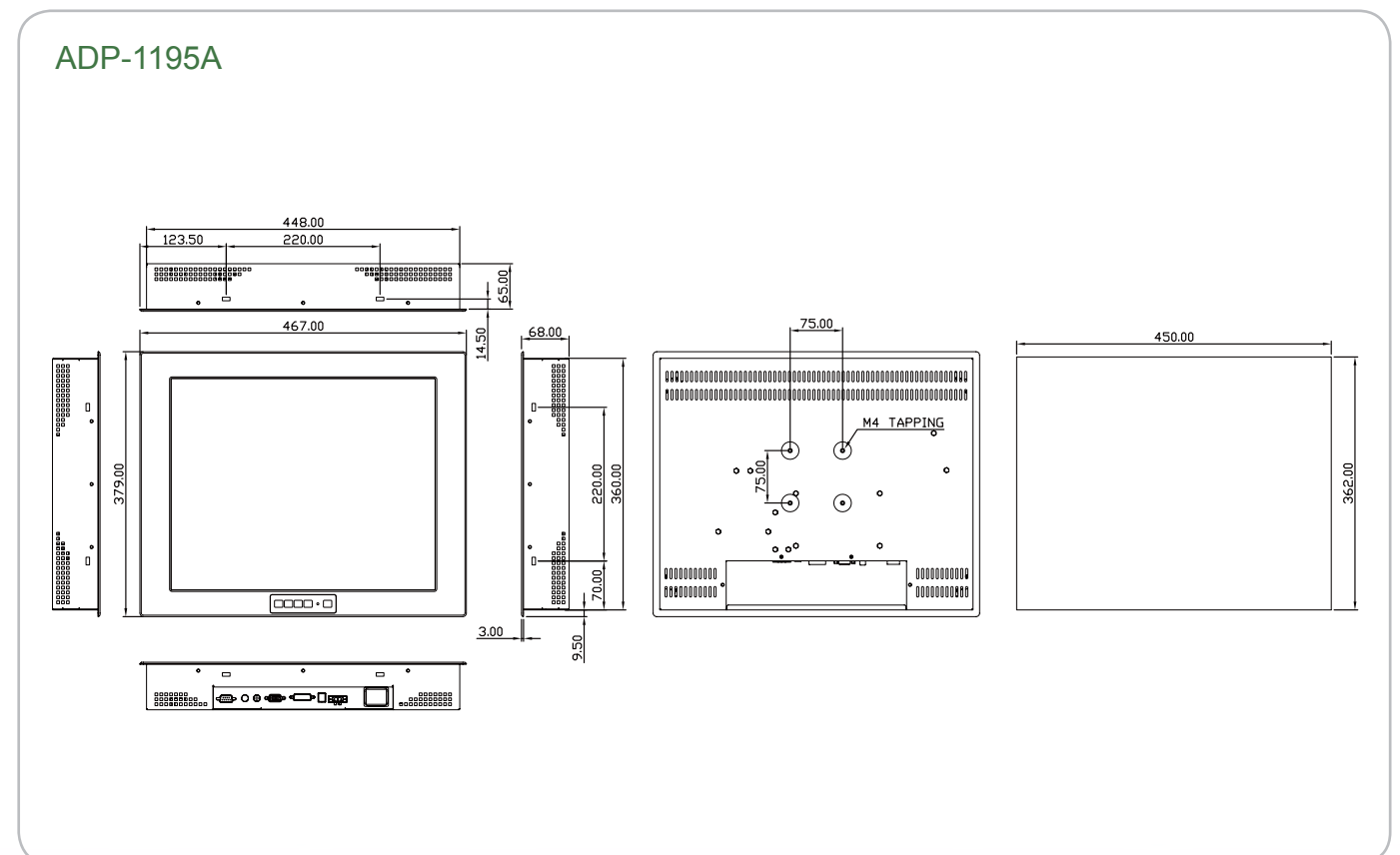
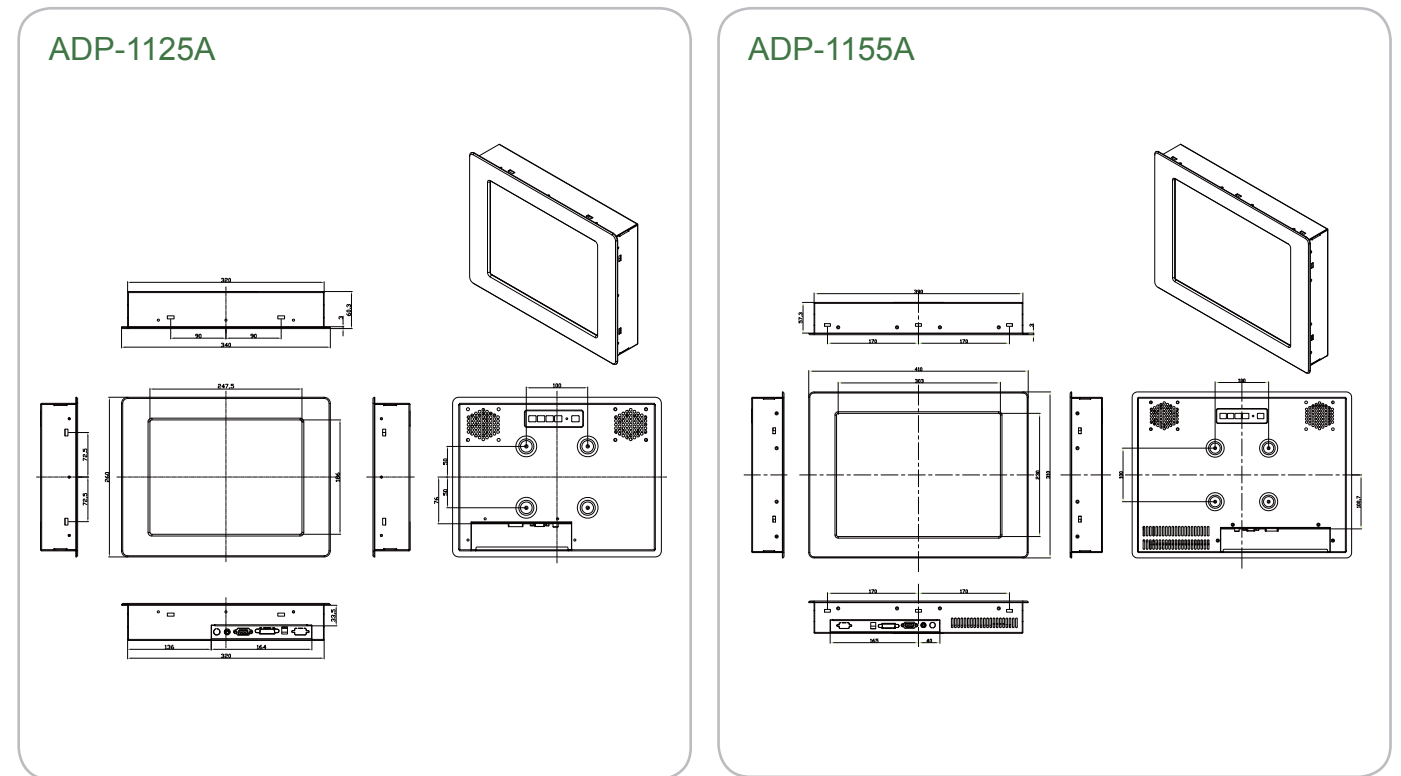
Model	Description
ADP-1125A	12" SVGA 800 X 600 high brightness 1000nits Display , VGA input,OSD on back side, AC 100~240V power input, and without touch, steel enclosure
ADP-1155A	15" XGA 1024 X 768 high brightness 1000nits Display , VGA input,OSD on back side, AC 100~240V power input, and without touch, steel enclosure
ADP-1155AT	15" XGA 1024 X 768 high brightness 1000nits Display , VGA/DVI/S-Video input,OSD on back side, resistive touch USB interface AC 100~240V power input, steel enclosure
ADP-1195A	19" SXGA 1280 X 1024 high brightness 1000nits Display , VGA input,OSD on back side, AC 100~240V power input, and without touch, steel enclosure

ADP-1XX5A Series

ADP-1125A/ADP-1155A/ADP-1195A

Dimensions

unit:mm



ADP-1XX4 Series

Industrial Display



Features



Heavy Duty Steel Chassis for ADP-1154 ADP-1174 / ADP-1194



Front Panel IP 65



Front OSD for ADP-1154 ADP-1174 / ADP-1194



Flexible Optional I/O



Wide Range DC 11-32V Input for Option



ADP-1224 Supports Full HD LED Backlight LCD

ADP-1XX4 Series

ADP-1154/ADP-1174/ADP-1194/ADP-1224

External I/O Port



ADP-1154



ADP-1174



ADP-1194



ADP-1224

ADP-1154/ADP-1174/ADP-1194/ADP-1224

Default:

- 1 x VGA input
- 1 x AC power input

Optional:

- DVI, S-Video, Touch I/O

ADP-1XX4 Series

Industrial Display

Specifications

Model No.	ADP-1154	ADP-1174	ADP-1194	ADP-1224
LCD				
Display Type	15" TFT- LCD	17" TFT- LCD	19" TFT- LCD	21.5" TFT- LCD
Max. Resolution	1024x768	1280x1024	1280x1024	1920x1080
Max. Color	262K	16.7M	16.7M	16.7M
Luminance (cd/m2)	350	350	300	250
View Angle	H:160° / V:140°	H:170° / V:160°	H:160° / V:160°	H:170° / V:160°
Backlight Lifetime	50,000 hrs			
System				
Input Signal	RGB			
On Screen Display Control	On the Front Side			
External I/O Port	Default: • 1 x VGA input • 1 x AC power input Optional: • DVI, S-Video, Touch I/O			
Power Supply				
Power Input	AC 100~240V, optional DC 11-32V			
Touch Screen				
Type	Resistive (optional)			
Light Transmission	80%			
Mechanical				
Construction	Steel enclosure	Steel enclosure	Steel enclosure	Sheet Metal Enclosure
IP Rating	Front Panel IP 65			
Mounting	Panel / VESA 75x75 Mount	Panel / VESA 75x75 Mount	Panel / VESA 75x75 Mount	Panel / VESA 100x100 Mount
Dimension	410(W)x310(H)x59.7(D) mm	439(W)x348(H)x63(D) mm	467(W)x379(H)x68(D) mm	557(W)x362(H)x68(D) mm
Net Weight	8.25kgs	9.64kgs	10.6kgs	8.6kgs
Environmental				
Operating Temperature	0~50 °C			
Storage Temperature	-20~60 °C			
Storage Humidity	10~90% @40 °C non-condensing			
Certificate	CE/FCC Class A			

Ordering Information

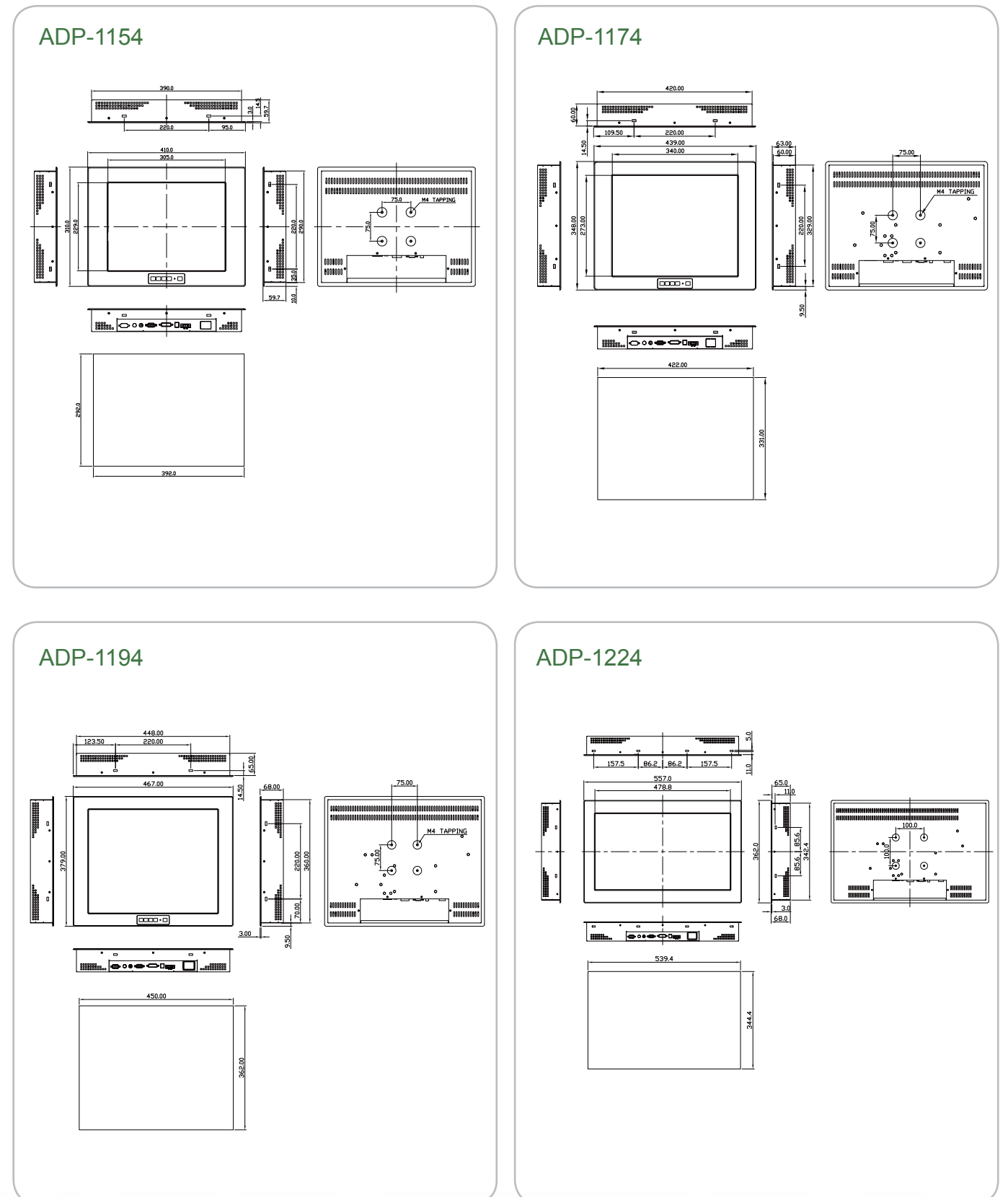
Model	Description
ADP-1224T-01	21.5" full HD 1920X1080 Industrial Display , VGA/DVI/S-Video input,OSD on front side, AC 100~240V power input, resistive touch USB interface, steel enclosure
ADP-1154-15	15" 1024X768 Industrial Display , VGA input,OSD on front side, AC 100~240V power input, no Touch, steel enclosure
ADP-1154T-07	15" 1024X768 Industrial Display , VGA input,OSD on front side, AC 100~240V power input, resistive Touch USB interface, steel enclosure
ADP-1154T-40	15" 1024X768 Industrial Display , VGA/DVI/S-Video input,OSD on front side, AC 100~240V power input, resistive Touch USB interface, steel enclosure
ADP-1174-05	17" 1280X1024 Industrial Display , VGA input,OSD on front side, AC 100~240V power input, no Touch, steel enclosure
ADP-1174T-04	17" 1280X1024 Industrial Display , VGA input,OSD on front side, AC 100~240V power input, resistive Touch USB interface, steel enclosure
ADP-1174T-21	17" 1280X1024 Industrial Display , VGA/DVI/S-Video input,OSD on front side, AC 100~240V power input, resistive Touch USB interface, steel enclosure
ADP-1194-06	19" 1280X1024 Industrial Display , VGA input,OSD on front side, AC 100~240V power input, no Touch, steel enclosure
ADP-1194T-05	19" 1280X1024 Industrial Display , VGA input,OSD on front side, AC 100~240V power input, resistive Touch USB interface, steel enclosure
ADP-1194T-14	19" 1280X1024 Industrial Display , VGA/DVI/S-Video input,OSD on front side, AC 100~240V power input, resistive Touch USB interface, steel enclosure

ADP-1XX4 Series

ADP-1154/ADP-1174/ADP-1194/ADP-1224

Dimensions

unit:mm



ADP-1XX1(A) Series

Industrial Overlay Touch Display



Features



Overlay Resistive Touch Screen



Rear OSD



Front Panel IP 65



Panel and VESA Mounting



Wide Range DC 11~32V Power Input

ADP-1XX1(A) Series

ADP-1081A/ADP-1101/ADP-1121

External I/O Port



ADP-1081A

ADP-1081A

Default:

- VGA Input
- DC 11~32V input, Terminal block connector

Optional:

- DVI Input



ADP-1101



ADP-1121

ADP-1101/ADP-1121

Default:

- 1 x VGA input
- 1 x DC power input

Optional:

- DVI, S-Video, Touch I/O

ADP-1XX1(A) Series

Industrial Overlay Touch Display

Specifications

Model No.	ADP-1081A	ADP-1101	ADP-1121
LCD			
Display Type	8" TFT- LCD	10.4" TFT-LCD	12.1" TFT- LCD
Max. Resolution		800x600	
Max. Color		262K	
Luminance (cd/m ²)	350	250	400
View Angle		H:130° / V:110°	
Backlight Lifetime	40,000 hrs	30,000 hrs	50,000 hrs
System			
Input Signal	RGB		
On Screen Display Control	On the Rear Side		
External I/O Port	Default: • VGA Input • DC 11~32V input, Terminal block connector Optional: • DVI Input	Default: • 1 x VGA input • 1 x DC power input Optional: • DVI, S-Video, Touch I/O	Default: • 1 x VGA input • 1 x DC power input Optional: • DVI, S-Video, Touch I/O
Power Supply			
Power Input	DC 11~32V	DC 12V, optional DC 11~32V	DC 11~32V, optional AC 100~240V
Touch Screen			
Type	Overlay Resistive		
Light Transmission	80%		
Mechanical			
Construction	Plastic Housing	Heavy-duty steel chassis with plastic front bezel	Heavy-duty steel chassis with plastic front bezel
IP Rating	Front Panel IP 65		
Mounting	Panel / VESA 75x75 Mount		
Dimension	231(W)x176(H)x57(D) mm	317(W)x243(H)x45(D) mm	390(W)x264(H)x63(D) mm
Net Weight	1.5kgs	3.5kgs	4.14kgs
Environmental			
Operating Temperature	0~50 °C		
Storage Temperature	-20~60 °C		
Storage Humidity	10~90% @40 °C non-condensing		
Certificate	CE/FCC Class A		

Ordering Information

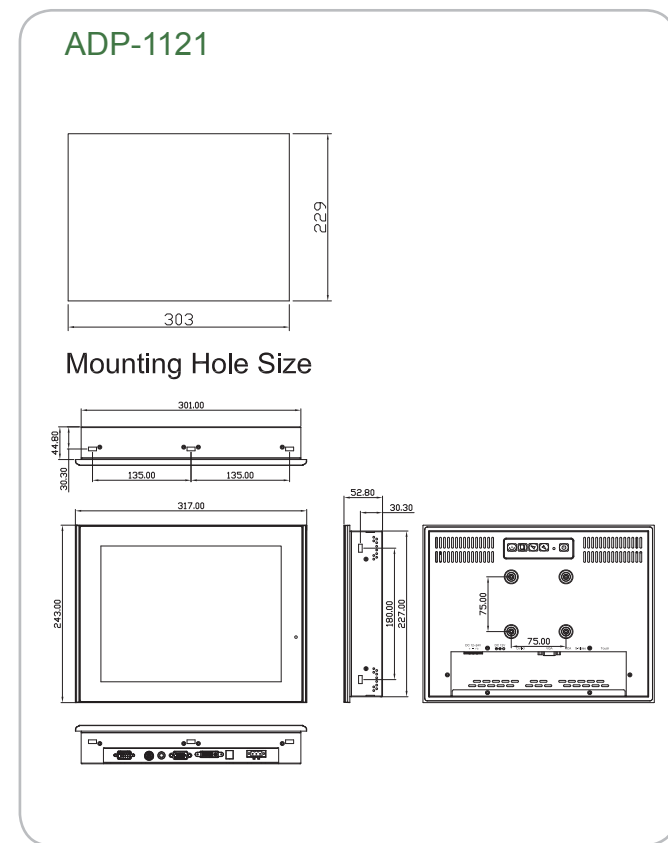
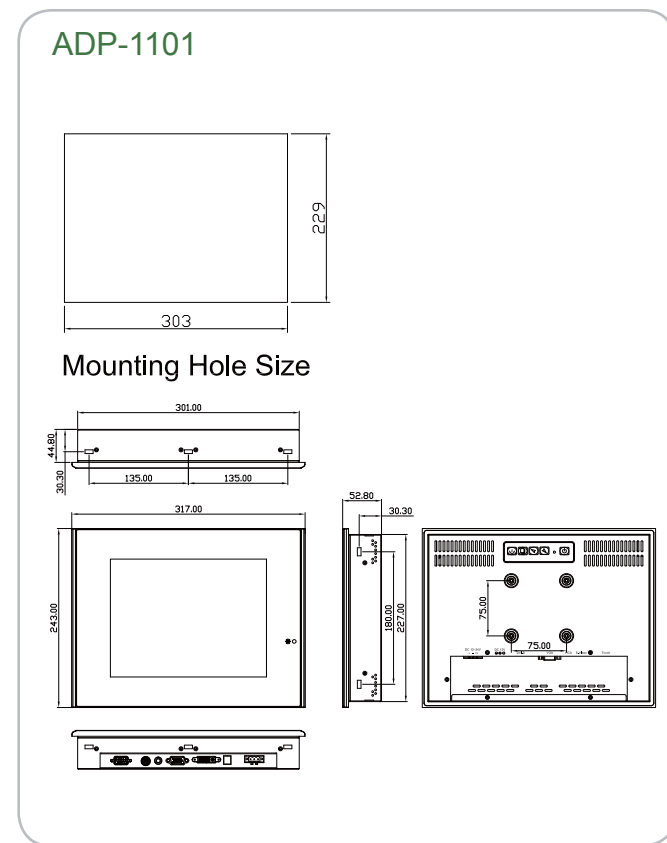
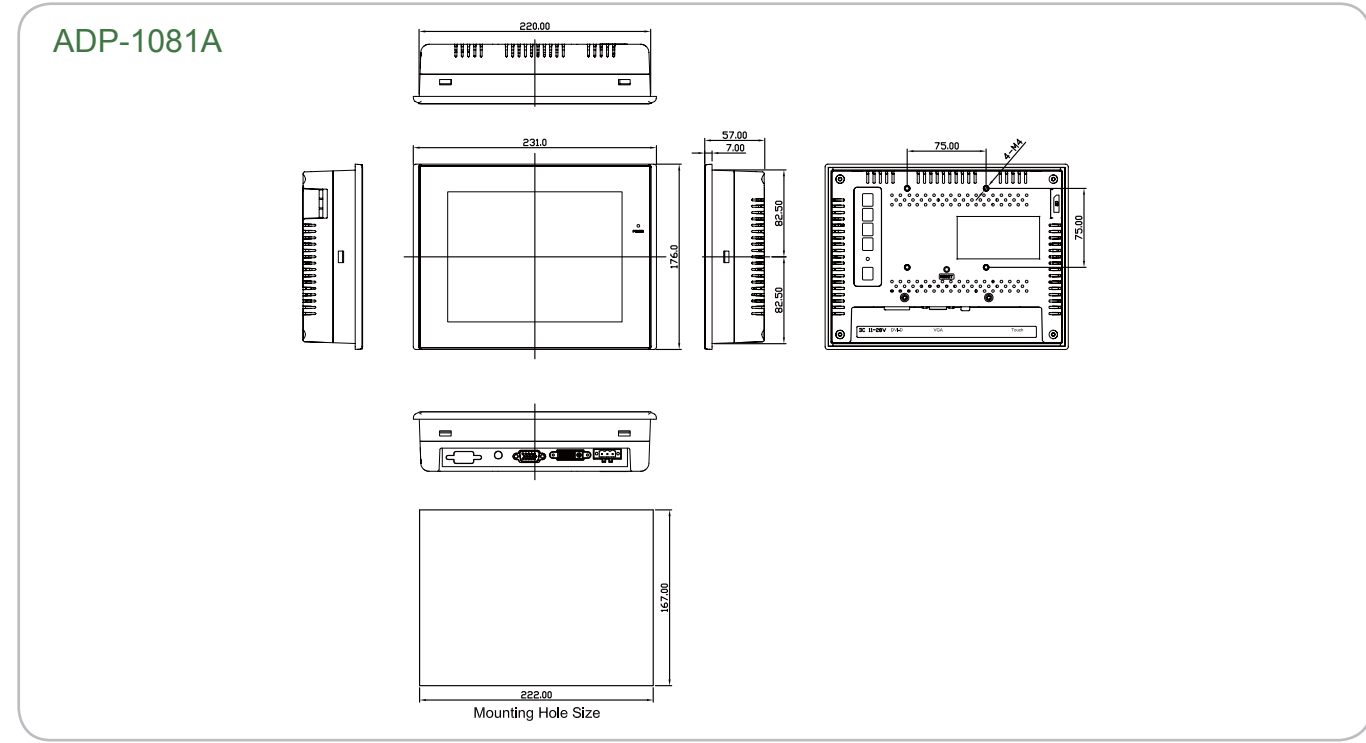
Model	Description
ADP-1081AT-04	8" SVGA 800 x 600 Industrial Display with sealed touch screen USB interface, VGA input, 11~32V DC input with adapter, plastic enclosure
ADP-1081AT-07	8" SVGA 800 x 600 Industrial Display with sealed touch screen RS-232 interface, VGA input, 11~32V DC input with adapter, plastic enclosure
ADP-1081AT-02	8" SVGA 800 x 600 Industrial Display with sealed touch screen USB interface, VGA/DVI input, 11~32V DC input with adapter, plastic enclosure
ADP-1101T-05	10" SVGA 800 x 600 Industrial Display with sealed touch screen RS-232 interface, VGA input, 12V DC input with adapter, plastic enclosure
ADP-1101T-14	10" SVGA 800 x 600 Industrial Display with sealed touch screen USB interface, VGA input, 12V DC input with adapter, plastic enclosure
ADP-1101T-12	10" SVGA 800 x 600 Industrial Display with sealed touch screen USB interface, VGA/DVI/S-Video input, 11~32V DC input with adapter, plastic enclosure
ADP-1121-18	12" SVGA 800 x 600 Industrial Display, VGA input, 11~32V DC input only, with adapter, no Touch, plastic front/ steel back
ADP-1121T-03	12" SVGA 800 x 600 Industrial Display with sealed touch screen RS-232 interface, VGA input, 11~32V DC input only, with adapter, plastic front/ steel back
ADP-1121T-04	12" SVGA 800 x 600 Industrial Display with sealed touch screen USB interface, VGA input, 11~32V DC input only, with adapter, plastic front/ steel back

ADP-1XX1(A) Series

ADP-1081A/ADP-1101/ADP-1121

Dimensions

unit:mm

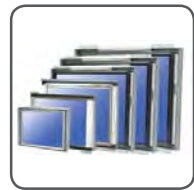


OPD-1XX6(A) Series

Open Frame Display



Features



Open Frame Design



Option Touch Screen Kit



Panel and VESA Mounting



Flexible Optional I/O



Rear OSD

OPD-1XX6(A) Series

OPD-1086A/OPD-1106/OPD-1126/OPD-1156/OPD-1176/OPD-1196

External I/O Port



OPD-1086A



OPD-1156



OPD-1106



OPD-1176



OPD-1126



OPD-1196

OPD-1086A

- Default: VGA + DC 12V power jack with locker
- Option 1: VGA + DC 11~32V terminal block connector
- Option 2: VGA + DVI-D + DC 11~32V terminal block connector

OPD-1106/OPD-1126/OPD-1156/OPD-1176/OPD-1196

Default:

- 1 x VGA input
- 1 x DC power input

Optional:

DVI, S-Video, Touch I/O

OPD-1XX6(A) Series

Open Frame Display

Specifications

Model No.	OPD-1086A	OPD-1106	OPD-1126
LCD			
Display Type	8" TFT- LCD	10.4" TFT-LCD	12.1" TFT- LCD
Max. Resolution		800x600	
Max. Color		262K	
Luminance (cd/m2)	350	250	400
View Angle		H:130° / V:110°	
Backlight Lifetime	40,000 hrs	30,000 hrs	50,000 hrs
System			
Input Signal	RGB		
On Screen Display Control	On the Rear Side		
External I/O Port	<ul style="list-style-type: none"> Default: VGA + DC 12V power jack with locker Option 1: VGA + DC 11~32V terminal block connector Option 2: VGA + DVI-D + DC 11~32V terminal block connector 	<ul style="list-style-type: none"> Default: 1 x VGA input 1 x DC power input Optional: DVI, S-Video, Touch I/O 	<ul style="list-style-type: none"> Default: 1 x VGA input 1 x DC power input Optional: DVI, S-Video, Touch I/O
Power Supply			
Power Input	DC 12V, optional DC 11~32V		
Touch Screen			
Type	Resistive (optional)		
Light Transmission	80%		
Mechanical			
Construction	Steel Chassis		
Mounting	Panel / VESA 75x75 Mount		
Dimension	199(W)x148(H)x42(D) mm	260(W)x213(H)x38(D) mm	300(W)x250(H)x38(D) mm
Net Weight	1.2kgs	1kgs	2.1kgs
Environmental			
Operating Temperature	0~50 °C		
Storage Temperature	-20~60 °C		
Storage Humidity	10~90% @40 °C non-condensing		
Certificate	CE/FCC Class A		

Ordering Information

Model	Description
OPD-1086A-02	8" SVGA 800 x 600 open frame display, VGA input, without touch, 12V DC input with adaptor
OPD-1086AT-07	8" SVGA 800 x 600 open frame display, VGA/DVI input, Resistive touch USB interface, 11~32V DC input with adaptor
OPD-1106-02	10" SVGA 800 x 600 open frame display, VGA input, without touch, 12V DC input with adaptor
OPD-1106T-13	10" SVGA 800 x 600 open frame display, VGA/DVI/S-Video input, resistive touch USB interface, 12V DC input with adaptor
OPD-1126-03	12" SVGA 800 x 600 open frame display, VGA input, without touch, 12V DC input with adaptor
OPD-1126T-10	12" SVGA 800 x 600 open frame display, VGA/DVI/S-Video input, resistive touch USB interface, 12V DC input with adaptor

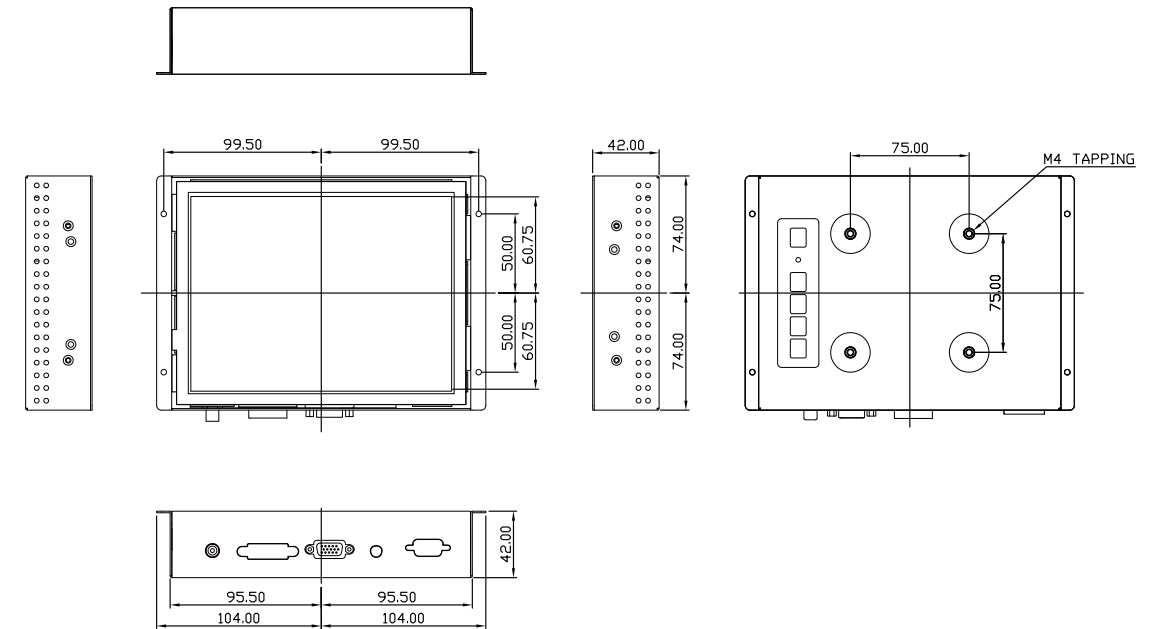
OPD-1XX6(A) Series

OPD-1086A/OPD-1106/OPD-1126

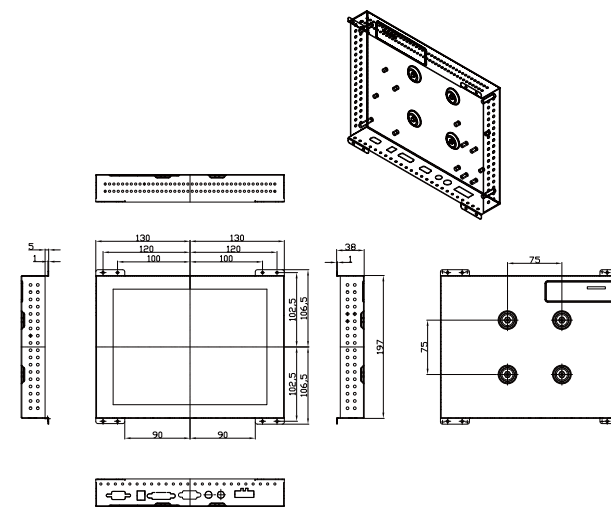
Dimensions

unit:mm

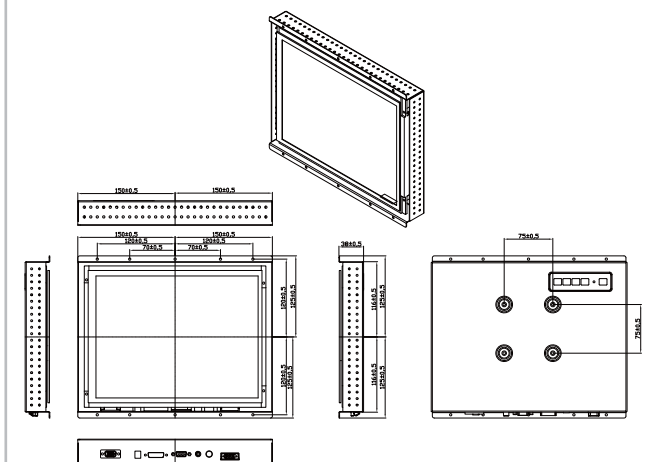
OPD-1086A



OPD-1106



OPD-1126



OPD-1XX6(A) Series

Open Frame Display

Specifications

Model No.	OPD-1156	OPD-1176	OPD-1196
LCD			
Display Type	15" TFT- LCD	17" TFT-LCD	19" TFT- LCD
Max. Resolution	1024x768	1280x1024	1280x1024
Max. Color	16.7M		
Luminance (cd/m ²)	350	350	300
View Angle	H:160° / V:140°	H:170° / V:160°	H:160° / V:160°
Backlight Lifetime	50,000 hrs		
System			
Input Signal	RGB		
On Screen Display	On the Rear Side		
Control			
External I/O Port	Default: • 1 x VGA input • 1 x DC power input Optional: DVI, S-Video, Touch I/O		
Power Supply			
Power Input	DC 12V, optional DC 11~32V		
Touch Screen			
Type	Resistive (optional)		
Light Transmission	80%		
Mechanical			
Construction	Steel chassis		
Mounting	VESA 75x75 Mount		
Dimension	357(W)x291(H)x56.2(D) mm	410(W)x330(H)x58.8(D) mm	423(W)x333(H)x59(D) mm
Net Weight	5.1kgs	7.95kgs	8kgs
Environmental			
Operating Temperature	0~50 °C		
Storage Temperature	-20~60 °C		
Storage Humidity	10~90% @40 °C non-condensing		
Certificate	CE/FCC Class A		

Ordering Information

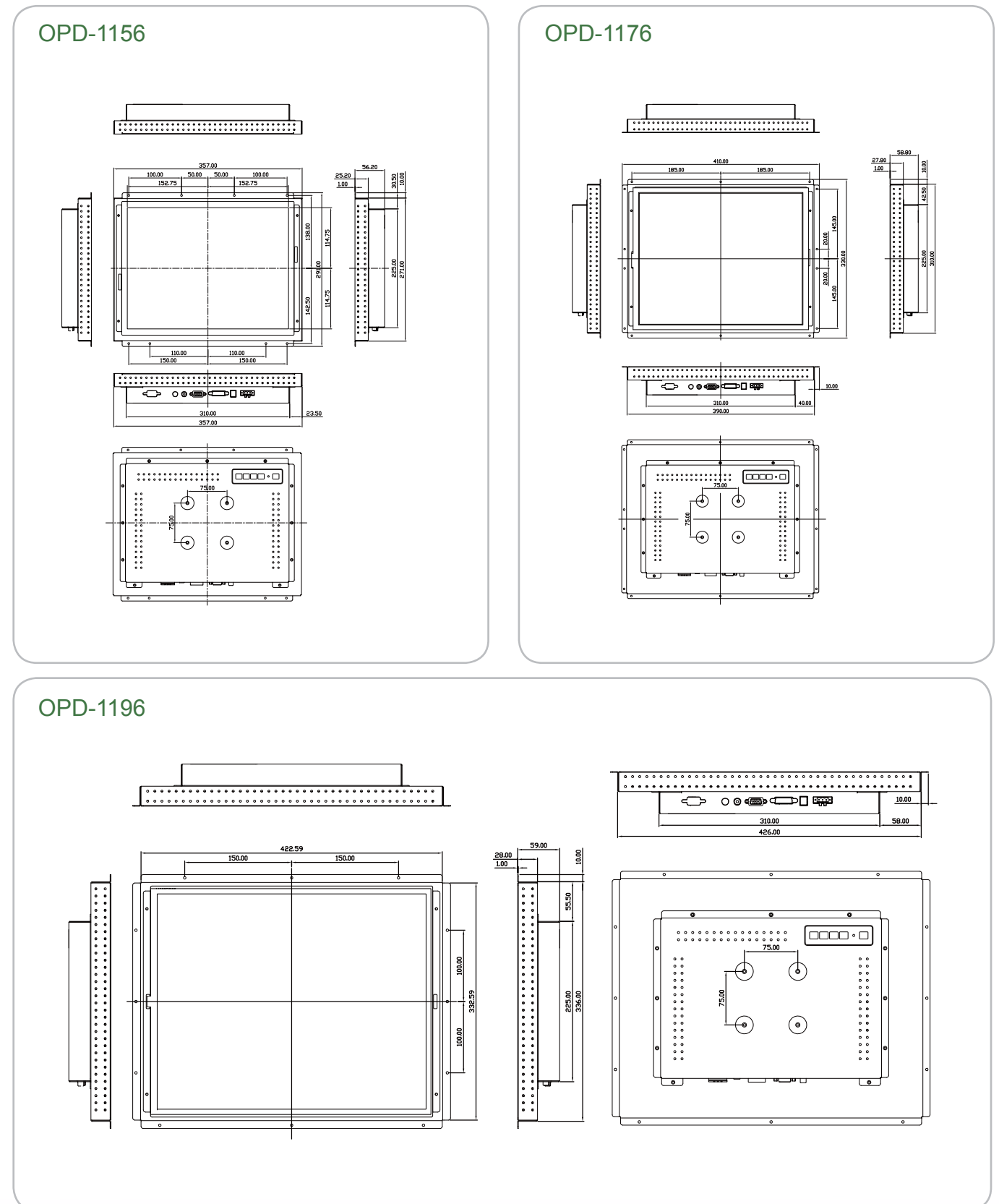
Model	Description
OPD-1156-03	15" XGA 1024 x 768 open frame display, VGA input, without touch, 12V DC input with adaptor
OPD-1156T-15	15" XGA 1024 x 768 open frame display, VGA/DVI/S-Video input, resistive touch USB interface, 12V DC input with adaptor
OPD-1176-02	17" SXGA 1280 x 1024 open frame display, VGA input, without touch, 12V DC input with adaptor
OPD-1176T-10	17" SXGA 1280 x 1024 open frame display, VGA/DVI/S-Video input, resistive touch USB interface, 12V DC input with adaptor
OPD-1196-02	19" SXGA 1280 x 1024 open frame display, VGA input, without touch, 12V DC input with adaptor
OPD-1196T-10	19" SXGA 1280 x 1024 open frame display, VGA/DVI/S-Video input, resistive touch USB interface, 12V DC input with adaptor

OPD-1XX6(A) Series

OPD-1156/OPD-1176/OPD-1196

Dimensions

unit:mm





ACS Product Line



Waterproof Box PC

IP 67 rating, wide working temperature, waterproof power adaptor available



Slim Box PC

Slim or compact size, low power consumption



Fanless PCI-Expansion Box PC

Fanless design, supports up to Intel Core 2 Duo processor with PCI or PCIe-expansion Slot

Box PC ACS Product Line

Our box PCs are designed for high stability and use at wide range of temperatures. The casing is made of materials which are more rugged than those used in conventional PCs, and they are also suitable for use in narrow space environments.

Our Box PC has three PC: Waterproof, Slim Type and Fanless Box PCs. Waterproof Box PC has IP 67 rated and supports wide working temperature; Slim Type Box PC is very compact, the height is less than 1.5U, and offers ultra-low power consumption; Fanless Box PC supports wide range DC input and comes with PCI or PCIe expansion slot.

Our Box PCs are primarily designed for industrial or special applications usage. To deal with these harsh operating environments, the Box PCs can handle a wide range of DC voltage input, is shock resistant and has excellent cooling. Some models that support PCI/PCIe expansion slots are also available to meet your needs in different applications and services.

ACS-2701A

IP 67 Box PC/Intel Atom Z510



ACS-2701A

ACS-2701A

External I/O Port



Features



Rugged, Waterproof IP 67 Grade



Wide Working Temperature -20~60 °C



Aluminum Die Casting Housing



Wide Range DC 11~32V Power Input



Ultra Low Power Consumption



ACS-2701A

- 1 x LAN port
- 1 x DB15 Port for RS-232 and RS-485
- 1 x VGA port
- 1 x USB port
- 1 x DC 11-32V

ACS-2701A

IP 67 Box PC/Intel Atom Z510

Specifications

Model No.	ACS-2701A
System	
Processor	Intel Atom Z510 1.1 GHz CPU default Z530 1.6 GHz CPU for option
System Chipset	Intel US15W
External I/O Port	<ul style="list-style-type: none"> • 1 x LAN port • 1 x DB15 Port for RS-232 and RS-485 • 1 x VGA port • 1 x USB port • 1 x DC 11-32V
System Memory	1GB DDR2 400 MHz on board
Storage	<ul style="list-style-type: none"> • 1 x 2.5" SATA HDD • 1 x CF Slot (Internal)
Power Input	DC 11~32V
LED Indicator	1 x Power status
Expansion Slots	1 x Mini PCIe slot
OS Support	Windows XP Pro, XP Embedded
Mechanical	
Construction	Aluminum die casting chassis (Top cover : Heat sink design)
Color	Black
IP Rating	IP 67
Mounting	Wall mount
Dimension	223(W)x147(H)x62(D) mm
Net Weight	2.2kgs
Environmental	
Operating Temperature	-20~60 °C
Storage Temperature	-20~70 °C
Storage Humidity	10~90% @40 °C non-condensing
Certificate	CE/FCC Class A

Ordering Information

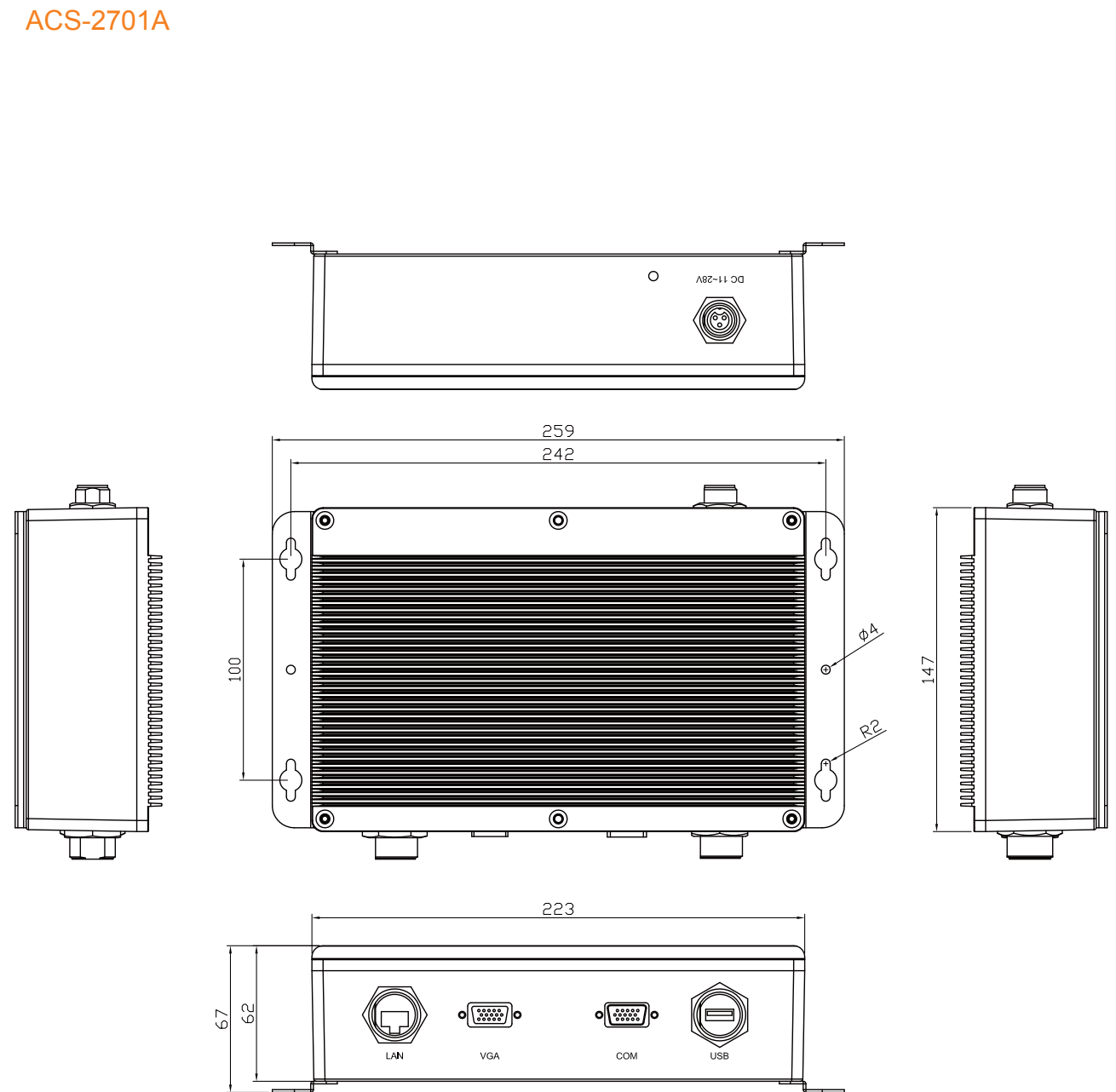
Model	Description
ACS-2701A-P6	IP67 waterproof fanless Box PC , Intel Atom Z510 processor on board 1GB memory, 8GB SLC SSD, 11~32VDC input with adaptor
ACS-2701A-P7	IP67 waterproof fanless Box PC , Intel Atom Z510 processor on board 1GB memory, 8GB SLC SSD, APW-4206 adaptor

ACS-2701A

ACS-2701A

Dimensions

unit:mm



Box PC

ACS-2110

Slim Type Box PC/Intel Atom N270



ACS-2110

ACS-2110

External I/O Port



Features



Low Power Consumption,
Fanless Design



All Solid Capacitor
Motherboard



Slim Size



Wide Range DC 11~32V
Power Input for Option



Selectable AT/ATX
Mode Power Switch



ACS-2110

- 4 x USB 2.0 connectors (rear)
- 2 x USB 2.0 connectors (front)
- 2 x RJ-45 GbE LAN
- 1 x DB-9 RS-232 (COM 1)
- 1 x DB-15 VGA
- 1 x 3 pins DC Terminal block connector
- AT/ATX power switch (front)
- 1 x DB-9 RS-232 (COM2, RS-232/422/485 selectable, default RS-232)

ACS-2110

Slim Type Box PC/Intel Atom N270

Specifications

Model No.	ACS-2110
System	
Processor	Intel Atom N270 1.6 GHz processor FSB 533 MHz
System Chipset	Intel 945GSE + Intel ICH7M
External I/O Port	<ul style="list-style-type: none"> • 4 x USB 2.0 connectors (rear) • 2 x USB 2.0 connectors (front) • 2 x RJ-45 GbE LAN • 1 x DB-9 RS-232 (COM 1) • 1 x DB-15 VGA • 1 x 3 pins DC Terminal block connector • AT/ATX power switch (front) • 1 x DB-9 RS-232 (COM2, RS-232/422/485 selectable, default RS-232)
System Memory	1 x 200 PIN DDR2 400/533 SO-DIMM up to 2 GB
Storage	<ul style="list-style-type: none"> • 1 x 2.5" SATA HDD • 1 x CF Slot (internal)
Power Input	DC 12V, optional DC 11~32V
LED Indicator	None
Expansion Slots	None
OS Support	Windows XP, Windows XP Pro, XP Embedded, Windows Embedded Standard 7
Mechanical	
Construction	Alumina Molding Heat sink + Heavy Duty steel Chassis
Color	Black
IP Rating	None
Mounting	Wall Mount
Dimension	232.5(W)x198(H)x48.5(D) mm
Net Weight	2kgs
Environmental	
Operating Temperature	0~50 °C
Storage Temperature	-20~60 °C
Storage Humidity	10~90% @40 °C non-condensing
Certificate	CE/FCC Class A

Ordering Information

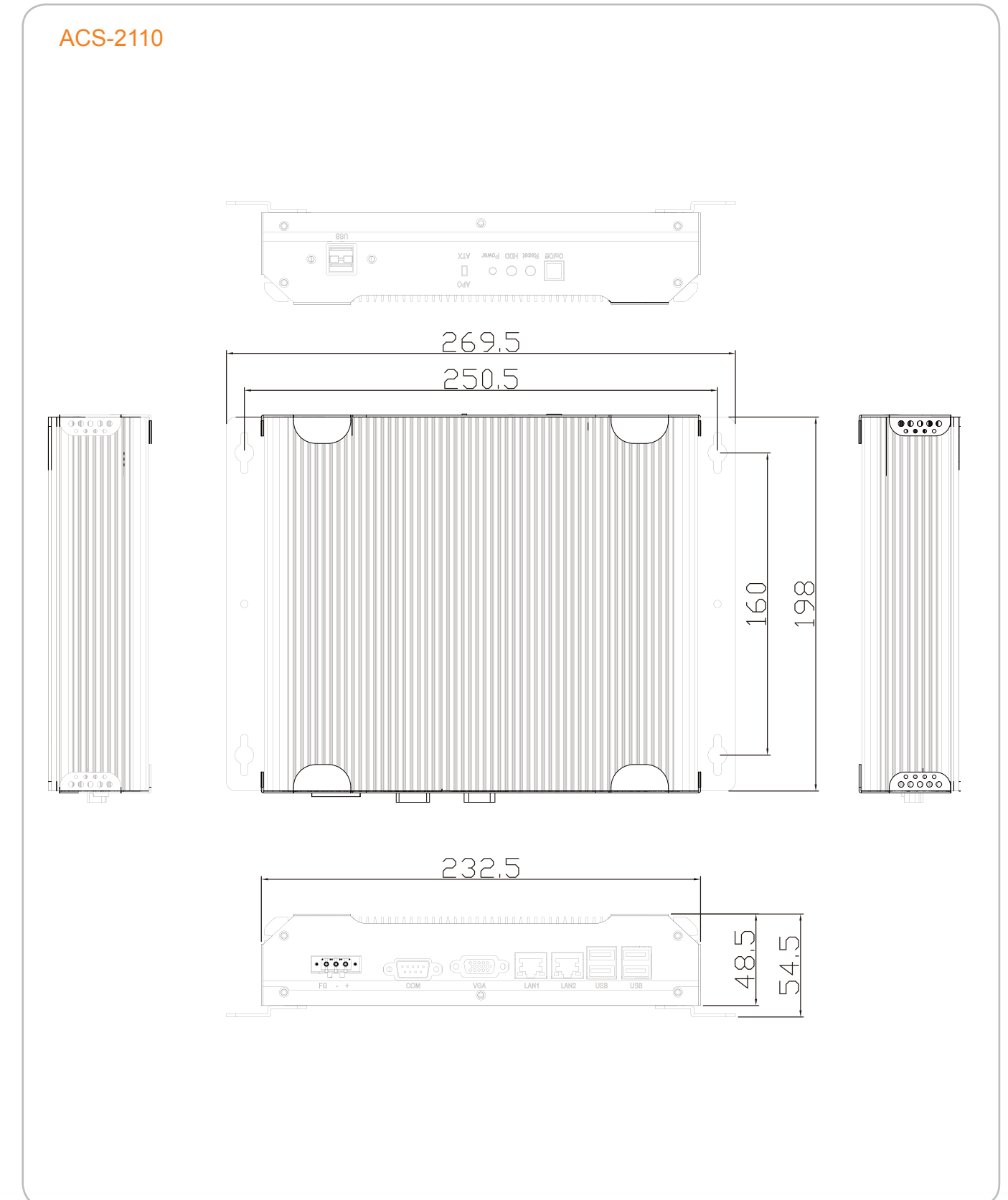
Model	Description
ACS-2110-13	Fanless Box PC , Intel Atom N270 1.6G processor with Intel 945GSE+ICH7M Chipset, 1GB DDR2 Memory, 160GB 2.5" SATA HDD, 11~32V DC input with adaptor

ACS-2110

ACS-2110

unit:mm

Dimensions



ACS-2906/ACS-2907

Machine Vision



ACS-2906/ACS-2907

ACS-2906/ACS-2907

External I/O Port



Features



Fanless Design



Wide Working Temperature



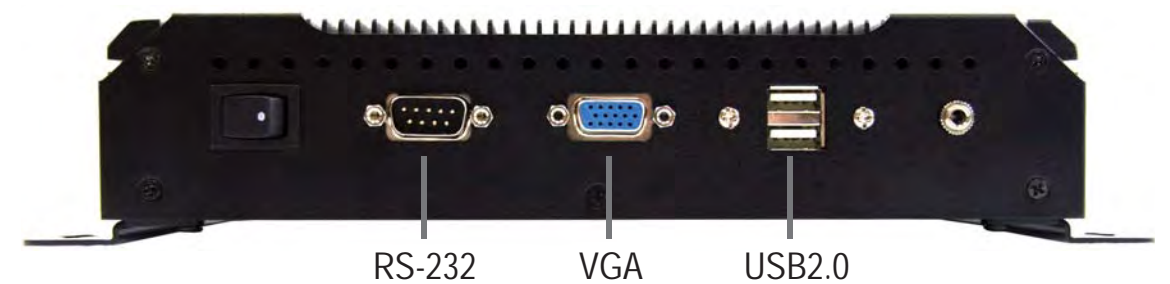
Heavy Duty Steel Chassis



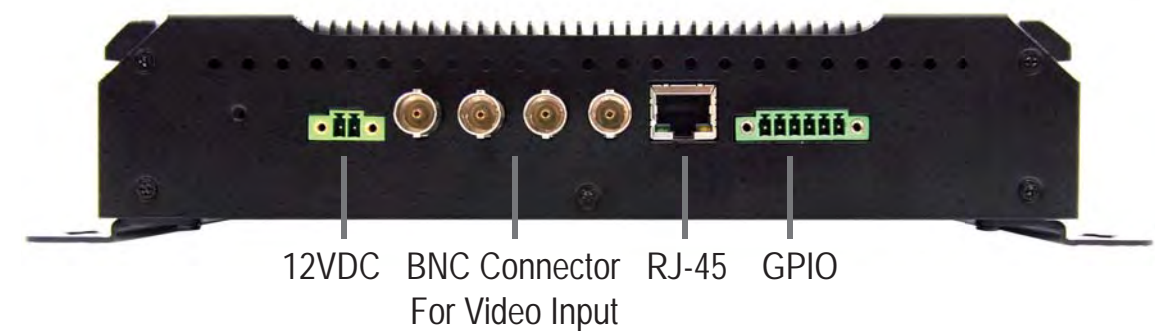
DC 12V Power Input



Embedded Video Monitor Box PC



RS-232 VGA USB2.0



12VDC BNC Connector RJ-45 GPIO For Video Input

ACS-2906/ACS-2907

Machine Vision

Specifications

Model No.	ACS-2906	ACS-2907
System		
Processor	Intel Atom Z530P 1.6 GHz FSB 533/400 MHz	Intel Atom D525 1.8GHz
System Chipset	Intel US15WP	Intel ICH8M
External I/O Port	<ul style="list-style-type: none"> • 2 x USB ports • 1 x RJ45 GbE LAN • 1 x D-SUB VGA • 4 x BNC connectors • 1 x DC 12V terminal block connector • 1 x 6 Pin terminal block connector for GPIO 	<ul style="list-style-type: none"> • 2 x USB by cable • 1 x RJ45 GbE LAN on board) • 1 x D-SUB VGA by cable • 4 x BNC connectors • 1 x DC 12V terminal block connector • 1 x 6 Pin terminal block connector for GPIO • 1 x COM DB9 RS-232 • 1 x Power Switch (rocker switch) • 1 x Audio Line out
System Memory	1GB DDR2 400 MHz SDRAM on board	2GB DDR3 800 MHz on board
Storage	<ul style="list-style-type: none"> • 1 x 1.8" SATA HDD • 1 x CF Slot Type I/II 	<ul style="list-style-type: none"> • 1 x 2.5" SATA HDD
Power Input	DC 12V	
Expansion Slots	None	
OS Support	Windows XP Professional, Windows XP Embedded	
Mechanical		
Construction	Aluminum Heat sink & Steel Metal Chassis	Aluminum Heat sink & Steel Metal Chassis
Color	Black	
Mounting	Wall mount	
Dimension	162(W)x107.3(H)x43.5(D) mm	269.5(W) x 200(H) x 54.5 (D) mm
Net Weight	TBD	
Environmental		
Operating Temperature	0~50 °C	
Storage Temperature	-20~60 °C	
Storage Humidity	10~90% @40 °C non-condensing	
Certificate	CE/FCC Class A	

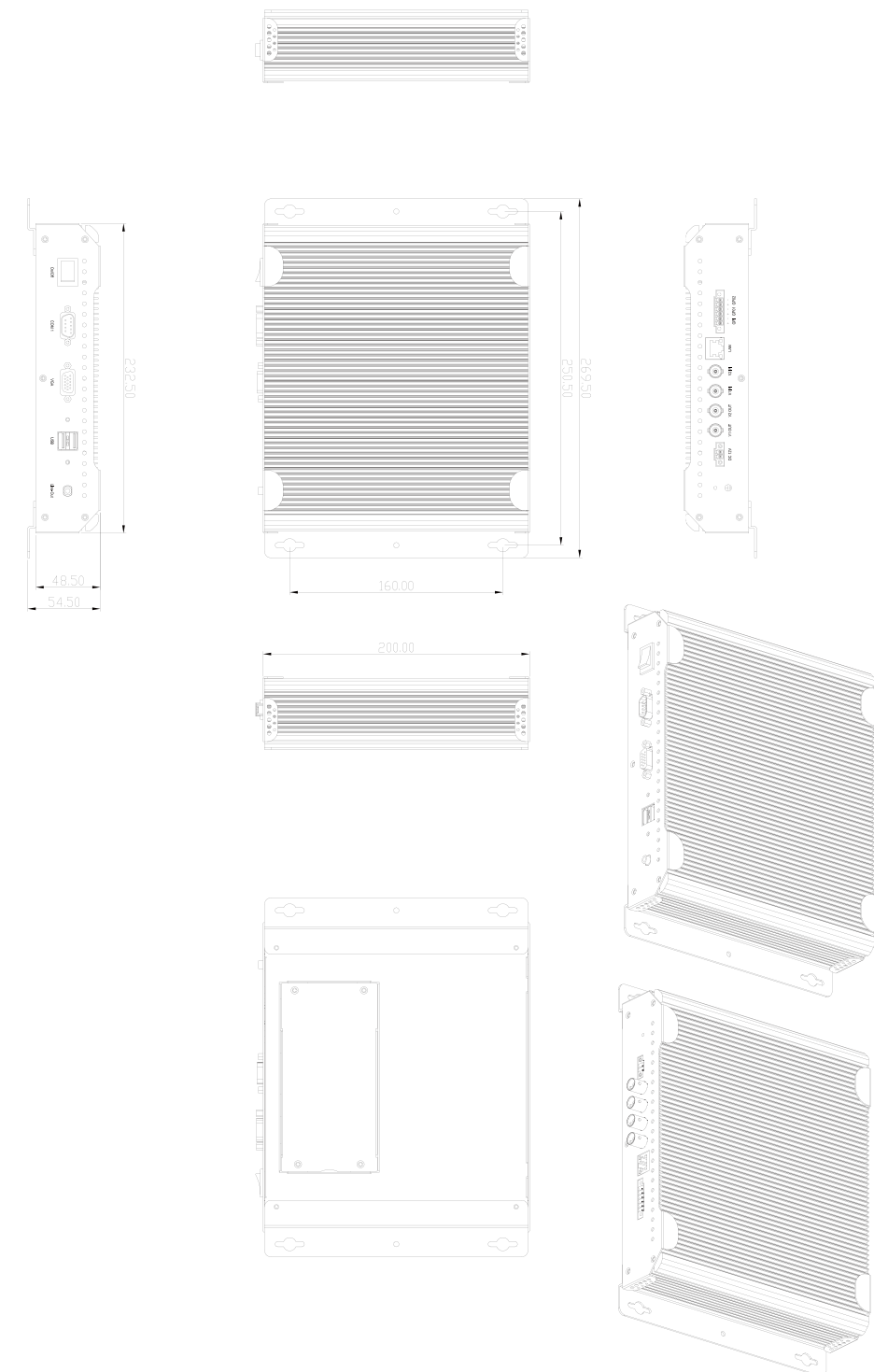
ACS-2906/ACS-2907

ACS-2906/ACS-2907

unit:mm

Dimensions

ACS-2907



NEW

ACS-2663A

Fanless Box PC/Intel Atom D525

ACS-2663A

ACS-2663A

External I/O Port

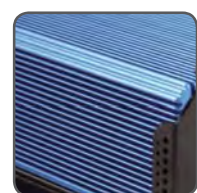


ACS-2663A



Accessible 2.5" SATA hard disk space

Features



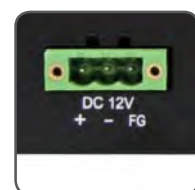
Fanless Design



1 External CF Slot



Heavy Duty Steel Chassis



DC 12V Power Input



External SATA HDD Tray

ACS-2663A

- 3 x COM
- 1 x VGA
- 4 x USB
- 2 x LAN
- 1 x DC Power
- 1 x Power on/off



ACS-2663A

Fanless Box PC/Intel Atom D525

ACS-2663A

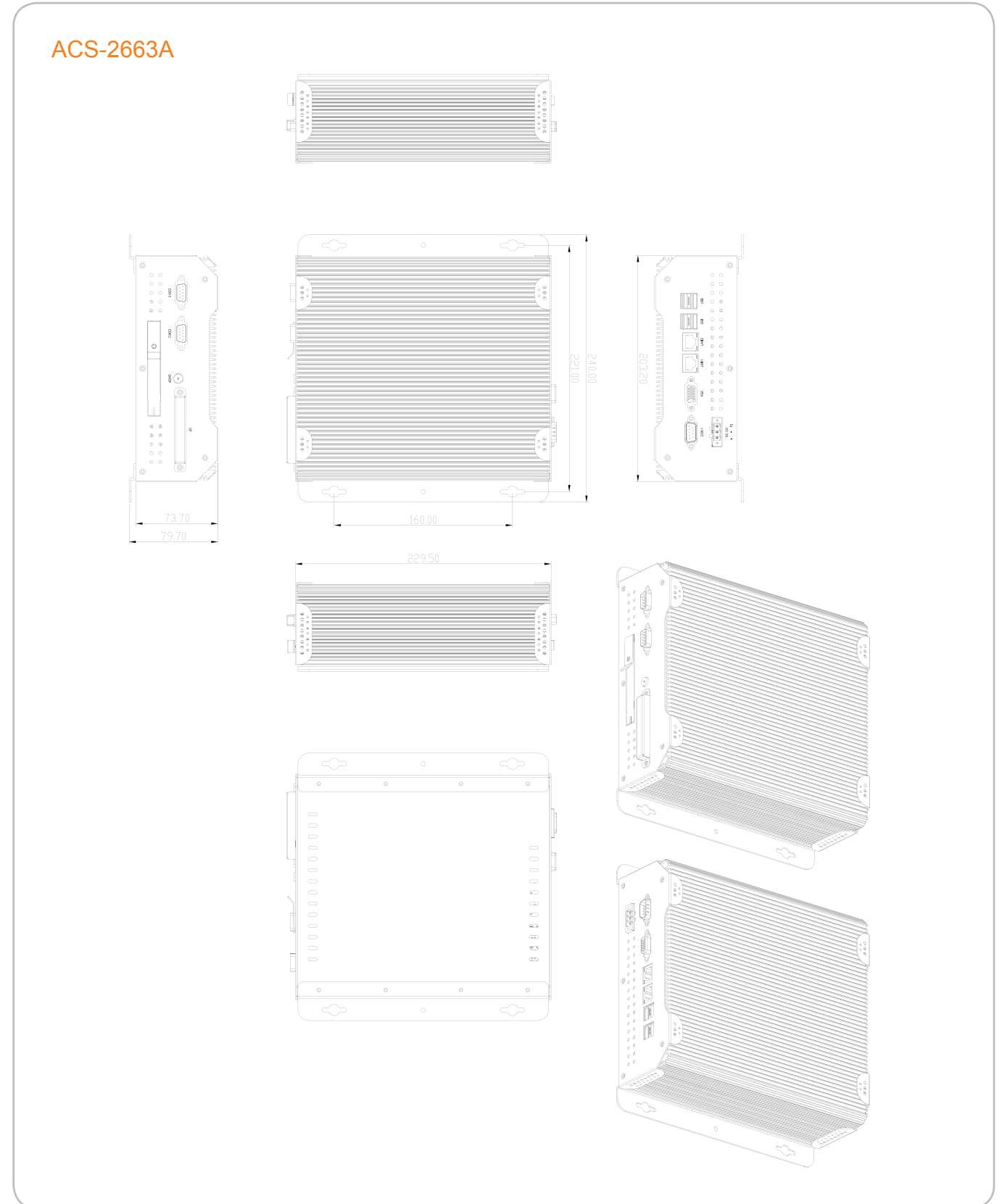
ACS-2663A

Specifications

Model No.	ACS-2663A	
System		
Processor	Intel Atom Processor D525 1.8GHz FSB 800MHz	
System Chipset	Intel ICH8M	
External I/O Port	Front Side: • 1 x RS-232 • 1 x RS-232/422/485 • 1 x Power on/off button	Rear Side: • 1 x RS-232 • 1 x VGA • 4 x USB 2.0 • 2 x RJ45 GbE LAN • 1 x 3 Pin TB Power input
System Memory	1 x 204 Pin SO-DIMM DDR3 800GHz, up to 2G	
Storage	• 1 x 2.5" SATA HDD space with tray • 1 x CF Slot (External)	
Power Input	DC 12V	
Expansion Slots	None	
OS Support	Windows XP Embedded, Windows Embedded Standard 7	
Mechanical		
Construction	Alumina Molding & Heavy-duty steel chassis	
Color	Blue and Black	
Mounting	Wall mount	
Dimension	229.5(W)x203.2(H)x79.9(D) mm	
Net Weight	4.5kgs	
Environmental		
Operating Temperature	0~50 °C	
Storage Temperature	-20~60 °C	
Storage Humidity	10~90% @40 °C non-condensing	
Certificate	CE/FCC Class A	

Dimensions

unit:mm



Box PC

ACS-266X Series

PCI-Expansion Box PC/Intel Atom N270



Features



Fanless Design



Wide Range
DC 11~32V Input



Low Power Consumption



Selectable ATX/AT
Mode Power Switch



PCI-Expansion

ACS-266X Series

ACS-2663/ACS-2664/ACS-2665

External I/O Port



ACS-2663



ACS-2663



ACS-2664



ACS-2664



ACS-2665



ACS-2665

ACS-2663/ACS-2664/ACS-2665

- 1 x PS/2 Keyboard
- 1 x PS/2 Mouse
- 1 x VGA
- 1 x DVI
- 2 x COM (RS-232)
- 2 x RJ45
- 4 x USB on the I/O side, 2 x USB on the front side
- Audio Jack (Line in / Line out / Microphone)

ACS-266X Series

PCI-Expansion Box PC/Intel Atom N270

Specifications

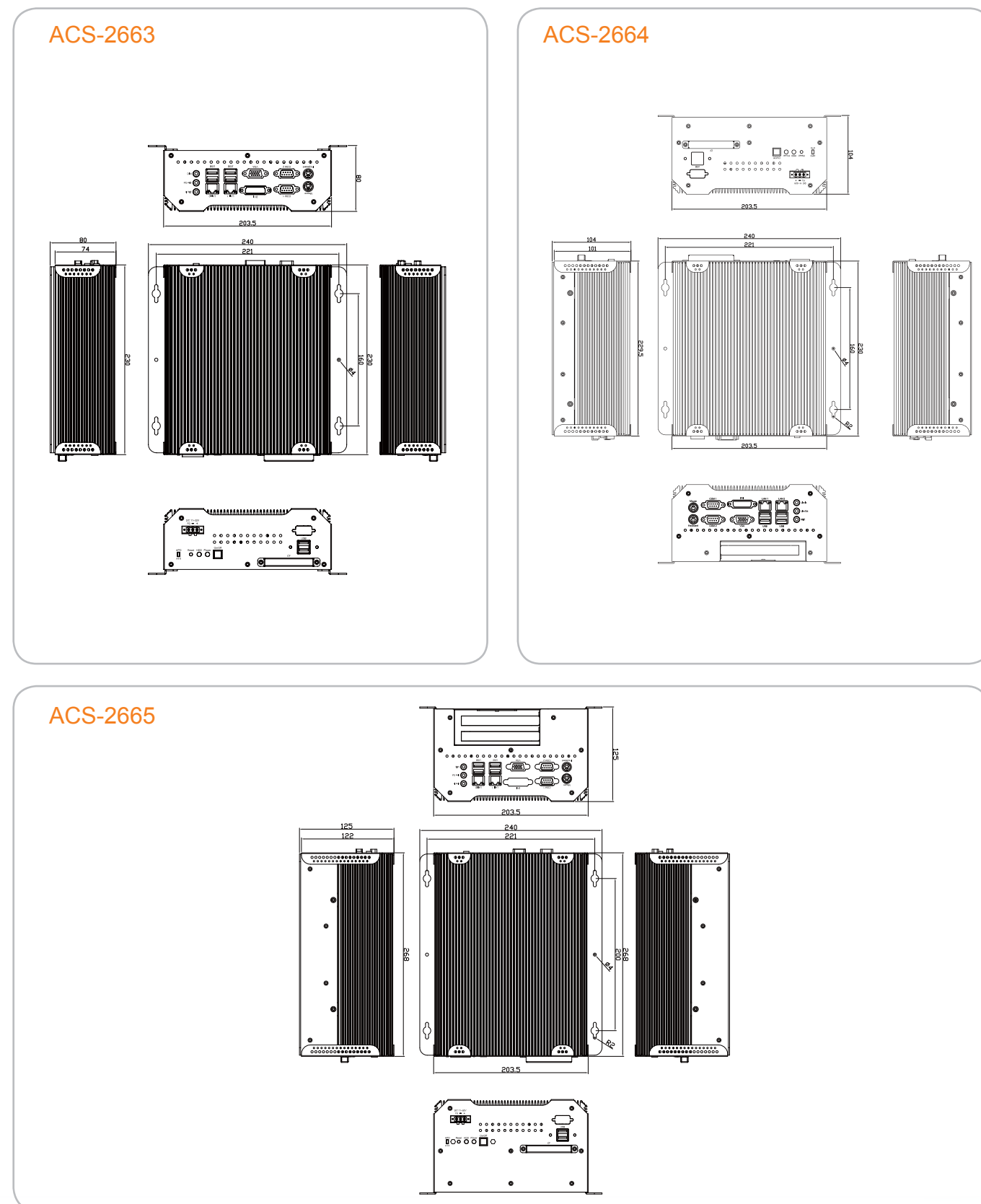
Model No.	ACS-2663	ACS-2664	ACS-2665
System			
Processor	Intel Atom N270 1.6 GHz processor 512 KB L2 cache with 533 MHz FSB on board		
System Chipset	Intel 945GSE + Intel ICH7M		
External I/O Port	<ul style="list-style-type: none"> • 1 x PS/2 Keyboard • 1 x PS/2 Mouse • 1 x VGA • 1 x DVI • 2 x COM (RS-232) • 2 x RJ45 • 4 x USB on the I/O side, 2 x USB on the front side. • Audio Jack (Line in / Line out / Microphone) 		
System Memory	• 1 x 200 pins DDR2 400/SO-DIMM 533 MHz up to 2 GB		
Storage	<ul style="list-style-type: none"> • 1 x 2.5" SATA HDD • 1 x CF Slot (external) 		
Power Input	DC 11~32V		
LED Indicator	HDD, Power		
Expansion Slots	None	1 x PCI slot	2 x PCI slots
OS Support	Windows XP Pro, XP Embedded		
Mechanical			
Construction	Aluminum Molding & Heavy-duty steel chassis		
Color	Blue and Black		
IP Rating	None		
Mounting	Wall mount		
Dimension	230(W)x203(H)x80(D) mm	230(W)x203.5(H)x104(D) mm	268(W)x203.5(H)x125(D) mm
Net Weight	4.5kgs	5kgs	5.5kgs
Environmental			
Operating Temperature	0~50 °C		
Storage Temperature	-20~60 °C		
Storage Humidity	10~90% @40 °C non-condensing		
Certificate	CE/FCC Class A		

ACS-266X Series

ACS-2663/ACS-2664/ACS-2665

Dimensions

unit:mm



ACS-267XA Series

PCI-Expansion Box PC/Intel GM45 Socket P Platform



ACS-267XA Series

ACS-2673A/ACS-2674A/ACS-2675A

External I/O Port



ACS-2673A



ACS-2673A



ACS-2674A



ACS-2674A



ACS-2675A



ACS-2675A

Features



Intel Core 2 Duo Fanless Design



Selectable AT/ATX Mode Power Switch



PCI or PCIe Expansion Slot



HDMI Output



Wide Range DC 11~32V Power Input

ACS-2673A/ACS-2674A/ACS-2675A

- 1 x VGA port
- 1 x PS/2 Keyboard / Mouse
- 2 x RJ-45 ports (GbE)
- 3 x DB-9 RS-232 (COM1~3)
- 4 x USB port on the I/O
- 2 x USB on the front side
- 1 x Audio MIC, Line-in, Line-out
- 1 x DVI-D

ACS-267XA Series

PCI-Expansion Box PC/Intel GM45 Socket P Platform

Specifications

Model No.	ACS-2673A	ACS-2674A	ACS-2675A
System			
Processor	Intel Socket P Core 2 Duo, 45 nm Processor, FSB 1066/800/667 MHz 6 MB L2 Cache, up to P8400 Core 2 Duo 2.4 GHz CPU		
System Chipset	Intel GM45 + Intel ICH9M-E		
External I/O Port	<ul style="list-style-type: none"> • 1 x VGA port • 1 x PS/2 Keyboard / Mouse • 2 x RJ-45 ports (GbE) • 3 x DB-9 RS-232 (COM1~3) • 4 x USB port on the I/O • 2 x USB on the front side • 1 x Audio MIC, Line-in, Line-out • 1 x DVI-D 		
System Memory	• 2 x 200 pins DDR2 SO-DIMM slots, up to 4 GB 800 SDRAM		
Storage	<ul style="list-style-type: none"> • 1 x 2.5" SATA HDD • 1 x CF Slot (external) 		
Power Input	DC 11~32V		
LED Indicator	HDD, Power		
Expansion Slots	None	1 x PCI slot	2 x PCI slots
OS Support	Windows XP Pro, XP Embedded, Windows Embedded Standard 7		
Mechanical			
Construction	Aluminum Molding Heat sink + Heavy Duty steel Chassis		
Color	Silver		
IP Rating	None		
Mounting	Wall mount		
Dimension	268(W)x195(H)x104.8(D) mm	268(W)x195(H)x104.8(D) mm	268(W)x195(H)x125.7(D) mm
Net Weight	4.5kgs	5kgs	5.5kgs
Environmental			
Operating Temperature	0~50 °C		
Storage Temperature	-20~60 °C		
Storage Humidity	10~90% @40 °C non-condensing		
Certificate	CE/FCC Class A		

Ordering Information

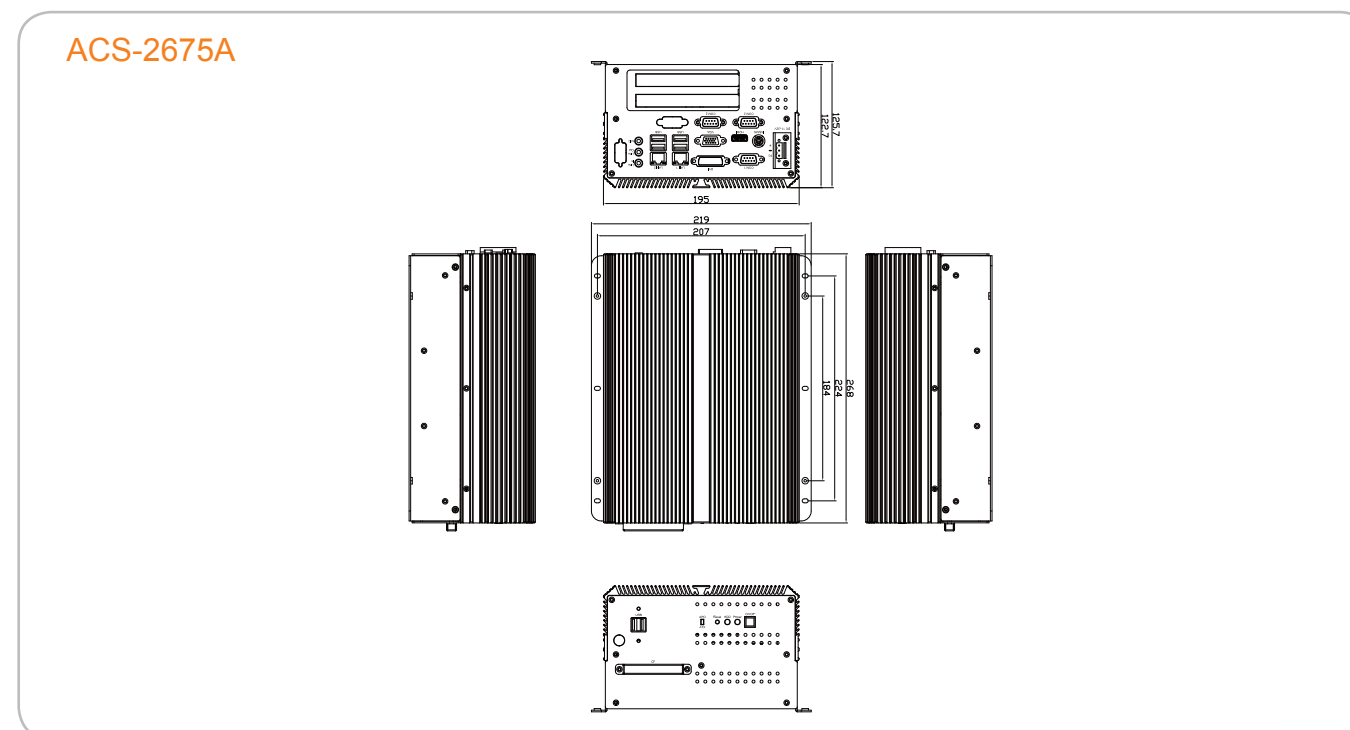
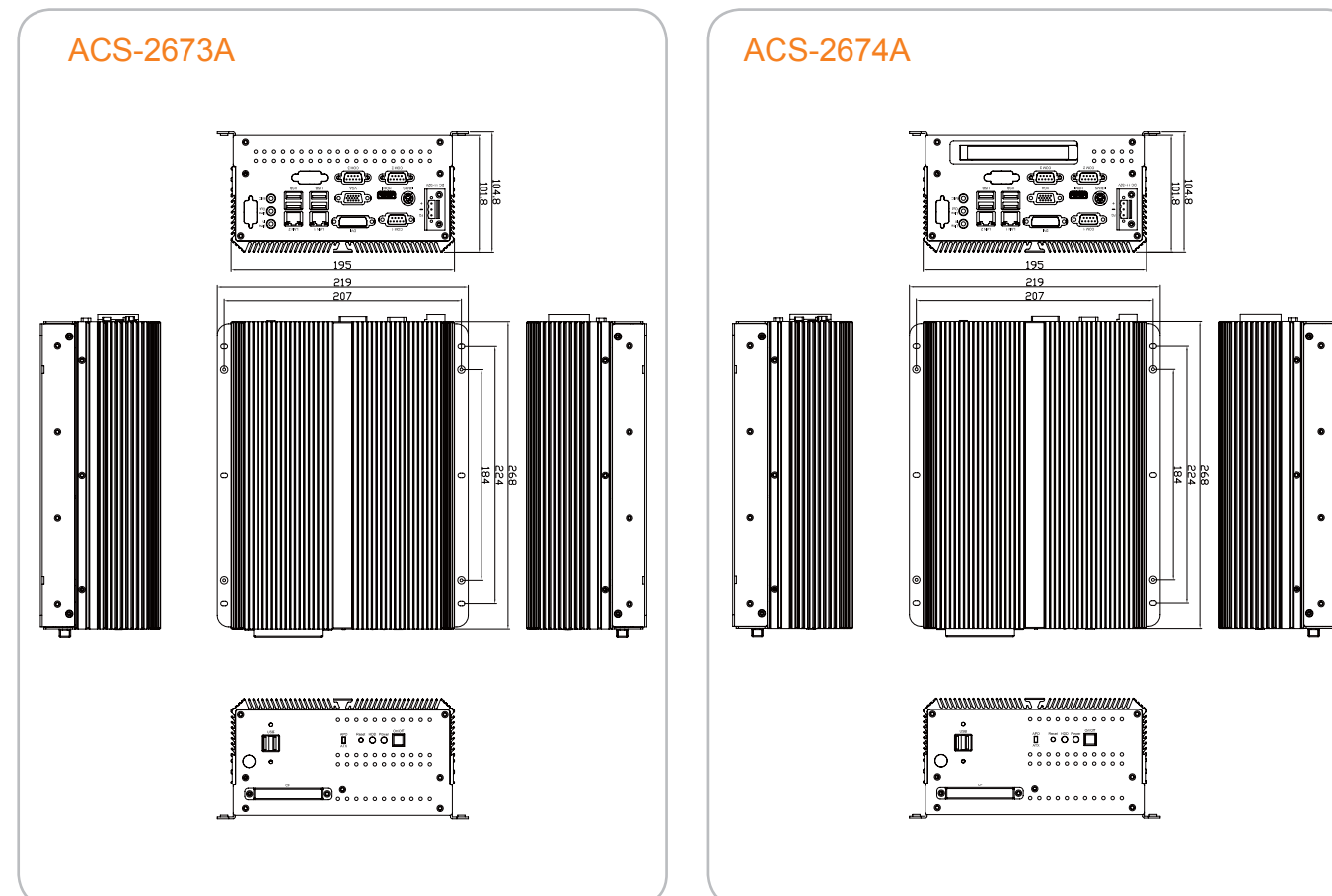
Model	Description
ACS-2673A-15	Fanless Box PC , Intel P8400 processor with Intel GM45+ICH9M Chipset, 2GB DDR2 800MHz memory, 160GB 2.5" SATA HDD, no PCI slot, 11~32 VDC power input with adaptor
ACS-2673A-14	Fanless Box PC , Intel T5450 processor with Intel GM45+ICH9M Chipset, 2GB DDR2 800MHz memory, 160GB 2.5" SATA HDD, no PCI slot, 11~32 VDC power input with adaptor
ACS-2673A-13	Fanless Box PC , Intel T3100 processor with Intel GM45+ICH9M Chipset, 2GB DDR2 800MHz memory, 160GB 2.5" SATA HDD, no PCI slot, 11~32 VDC power input with adaptor
ACS-2674A-18	Fanless Box PC , Intel P8400 processor with Intel GM45+ICH9M Chipset, 2GB DDR2 800MHz memory, 160GB 2.5" SATA HDD, one PCI slot, 11~32 VDC power input with adaptor
ACS-2674A-17	Fanless Box PC , Intel T5450 processor with Intel GM45+ICH9M Chipset, 2GB DDR2 800MHz memory, 160GB 2.5" SATA HDD, one PCI slot, 11~32 VDC power input with adaptor
ACS-2675A-18	Fanless Box PC , Intel P8400 processor with Intel GM45+ICH9M Chipset, 2GB DDR2 800MHz memory, 160GB 2.5" SATA HDD, 2 PCI slots, 11~32 VDC power input with adaptor
ACS-2675A-19	Fanless Box PC , Intel T5450 processor with Intel GM45+ICH9M Chipset, 2GB DDR2 800MHz memory, 160GB 2.5" SATA HDD, 2 PCI slots, 11~32 VDC power input with adaptor

ACS-267XA Series

ACS-2673A/ACS-2674A/ACS-2675A

Dimensions

unit:mm



NEW

ACS-2675C

PCI-Expansion Box PC/Intel GM45 Socket P Platform



ACS-2675C

ACS-2675C



NEW

ACS-2675C

Features



Intel Core 2 Duo Fanless Design



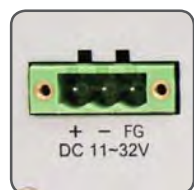
2 SATA HDD Space



PCI or PCIe Expansion Slot



HDMI Output



Wide Range DC 9~32V Power Input

New Design

Cable less!
Integrated DF connector

More Reliable!
Using PC104 type connector instead of golden finger slot for PCI and PCIe raiser card interface

On board wide range DC input, Switching regulators design, better voltage transfer efficiency and lower working temperature

All solid capacitors

Long life COMS Battery:CR2477, Offer 5 years using

Before

Lots of cable for I/O Storage, and Power...etc

Normal PCI interface raiser card

Single voltage input, need more devices. Linear regulators design

Normal RTC 200/220 mA battery

Electrolysis electric capacity on board

ACS-2675C Series

PCI-Expansion Box PC/Intel GM45 Socket P Platform

Specifications

Model No.	ACS-2675C	
System		
Processor	Intel Socket P Core 2 Duo 45nm Processor, P8600 2.4GHz FSB1066/800/667MHz	
System Chipset	Intel GM45 + Intel ICH9M-E	
External I/O Port	Rear Side: <ul style="list-style-type: none"> • 2 x RS-232 • 1 x VGA • 1 x HDMI • 2 x RJ45 GbE LAN • 4 x USB 2.0 • 1 x Mic-in, Line-Out • 1 x DC Power input 3 Pin terminal block connector • 1 x Additional terminal block for switch • 2 x LED Indication 	Front Side: <ul style="list-style-type: none"> • 1 x Power on/off • 1 x 5 Pin terminal block for GPIO (optional) • 1 x RS-232 • 1 x RS-232/422/485 • 2 x USB 2.0
System Memory	2 x 204 Pin DDR3 SO-DIMM slot, up to 8GB 800/1066 SDRAM	
Storage	<ul style="list-style-type: none"> • 2 x 2.5" SATA HDD Space • 1 x CF Slot (External) 	
Power Input	DC 9~32V	
Expansion Slots	2 x PCI / 1 x PCI + 1 x PCIe x1 for option	
OS Support	Windows XP Embedded, Windows Embedded Standard 7	
Mechanical		
Construction	Aluminum Molding Heat sink + Steel Chassis	
Color	Silver	
Mounting	Wall mount	
Dimension	268(W)x195(H)x125.7(D) mm	
Net Weight	TBD	
Environmental		
Operating Temperature	0~50 °C	
Storage Temperature	-20~60 °C	
Storage Humidity	10~90% @40 °C non-condensing	
Certificate	CE/FCC Class A	

Ordering Information

Model	Description
ACS-2675C	Fanless Box PC , Intel P8400 processor with Intel GM45+ICH9ME Chipset, 2GB DDR3 memory, 160GB 2.5" SATA HDD, 2 PCI slot, 9~32 VDC power input with adaptor

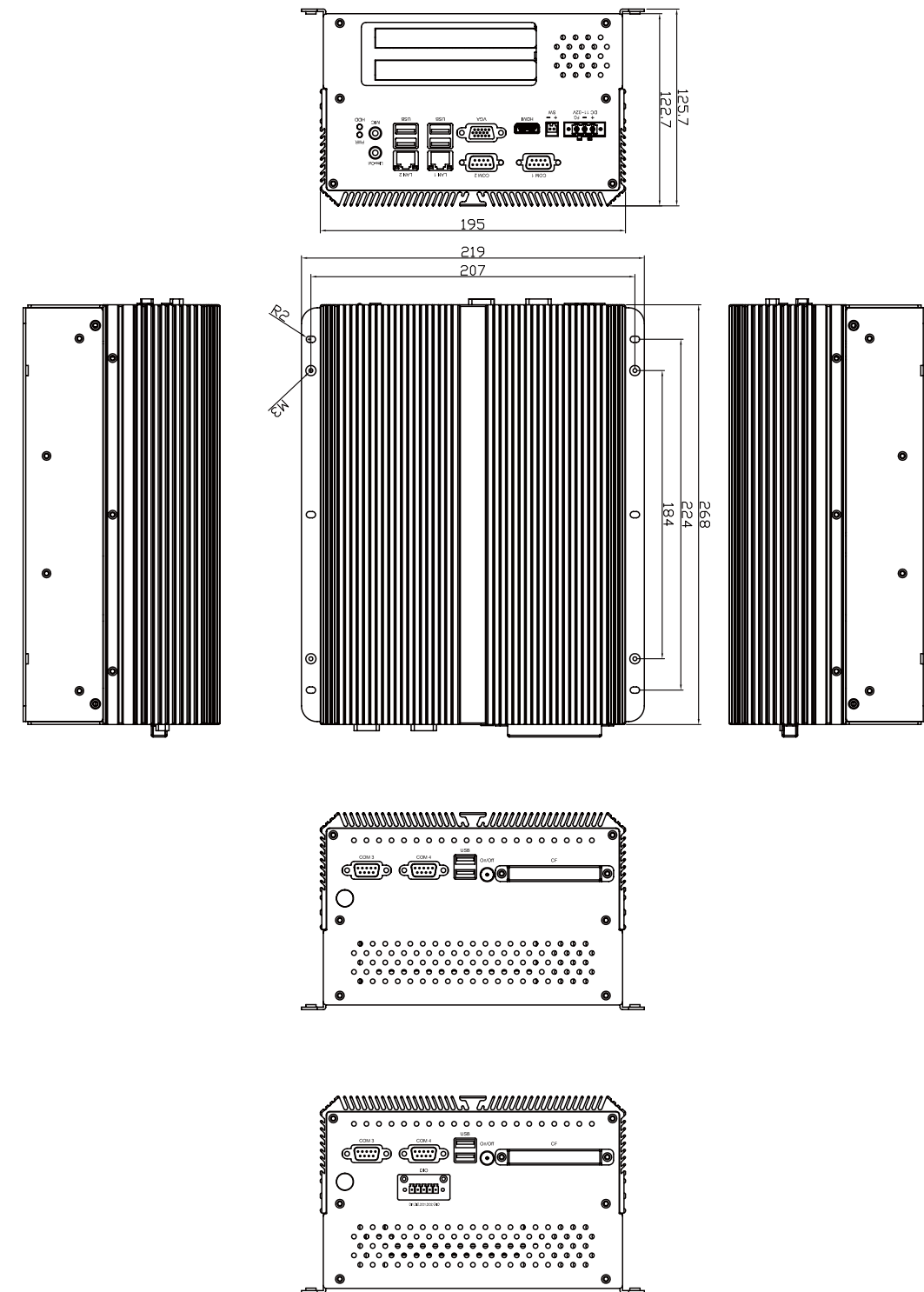
ACS-2675C Series

ACS-2675C

unit:mm

Dimensions

ACS-2675C



APW-4206

IP 67 Waterproof 60W Power Adapter



APW-4206

APW-4206

External I/O Port



Features



Waterproof IP 67



High Power Efficiency



Aluminum Housing



Wall Mounting



Wide Working Temperature



APW-4206

- AC input: 90~264V
- DC output: 12V

APW-4206

IP 67 Waterproof 60W Power Adapter

Specifications

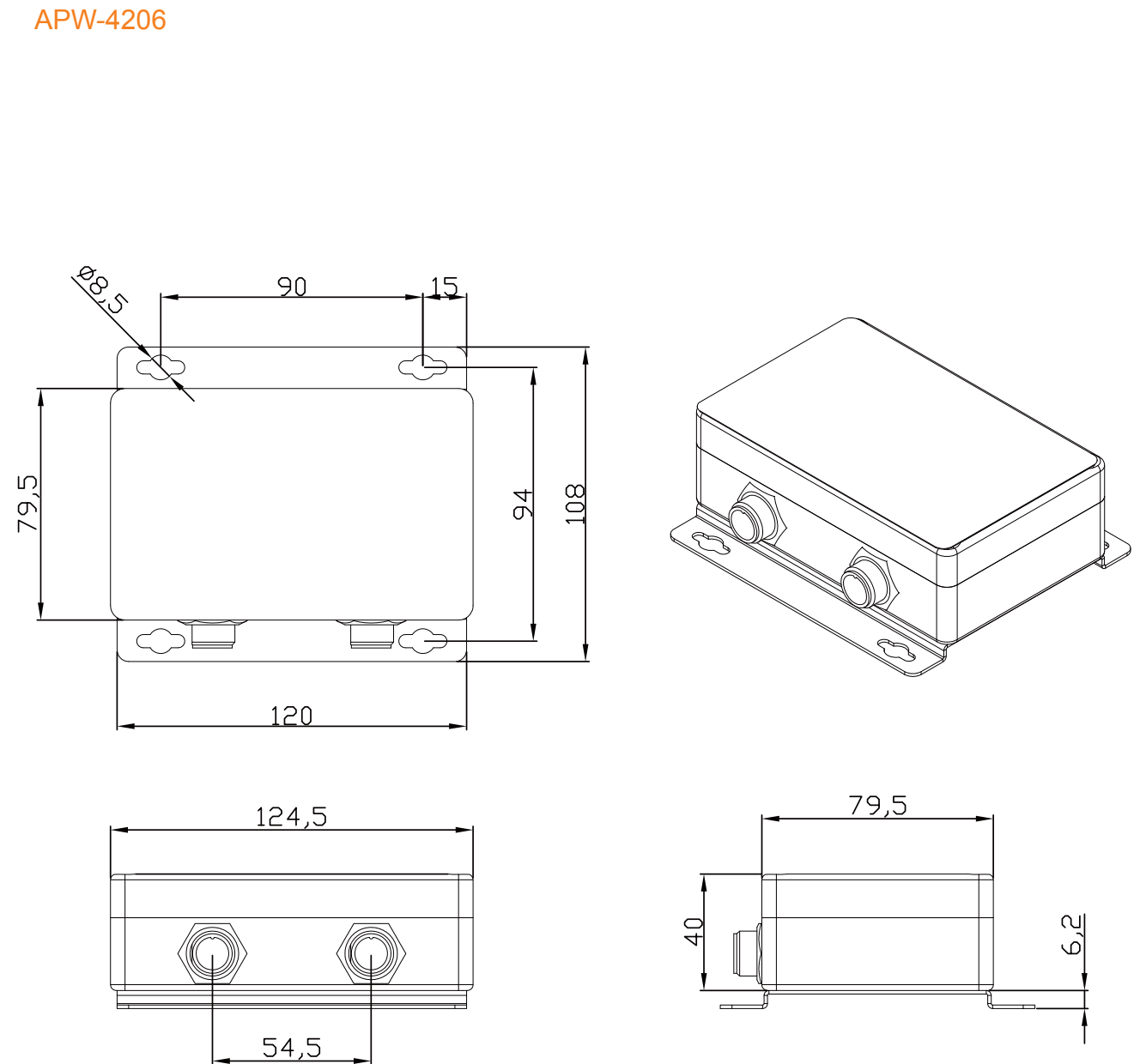
Model No.	APW-4206
Mechanical	
AC input voltage range	90~264V
Input frequency	47~63Hz
Efficiency	88%
Output Current	5A
Max. output power	60 watts
Output voltage adjust range	12V±5%
Cover material	Aluminum
Output overload protection	112~132%
Output over voltage protection	110~150%
Hold up time	20ms@full load (typical)
Weight (net)	1.1kgs
Environmental	
Operating Temperature	-20~70 °C
Storage Temperature	-45~85 °C
Storage Humidity	5~95% @40 °C non-condensing
Safety Standards	EN60950
EMC Standards	EN55022 class A, EN55024, EN61000-3-2,3, EN61000-4-2,3,4,5,6,8,11
Cooling	Fan-less
Dimension	120(W)x80(H)x40(D) mm

APW-4206

APW-4206

Dimensions

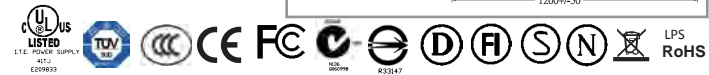
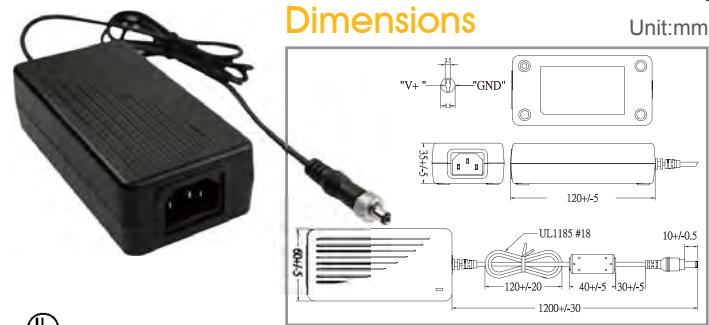
unit:mm



Ordering Information

Model	Description
APW-4206-01	IP 67 waterproof 60W power adaptor, 90~264 V AC input, 12V DC output

EA1050 60W AC/DC Power Adapter



Specifications

- Input Voltage Range : 100-240 VAC +/- 10% full range
- Input Frequency: 47~63 Hz
- Output Voltage: 12V
- Output Current: 5A
- Output Watts: 60W
- Eff ciency: 75%
- Operating Temperature: 0°C~40°C
- Storage Temperature: -20°C~85°C

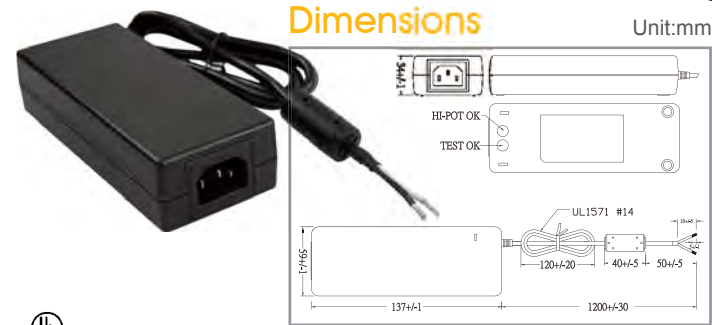
Connector Type



Ordering Information

Part No.	Description
710901006000	60W AC/DC Power Adapter (Plug ID2.5 x OD5.5)
710901006001	60W AC/DC Power Adapter (2pin Soldered Wires)
670000000111	60W AC/DC Power Adapter (3pin Terminal Block)
677100000001	60W AC/DC Power Adapter (Plug with Lock Screw ID2.5 x OD5.5)

EA11001 120W AC/DC Power Adapter



Specifications

- Input Voltage Range : 100-240 VAC +/- 10% full range
- Input Frequency: 47~63 Hz
- Output Voltage: 19V
- Output Current: 6.3A
- Output Watts: 120W
- Eff ciency: 85%
- Operating Temperature: 0°C~40°C
- Storage Temperature: -20°C~85°C

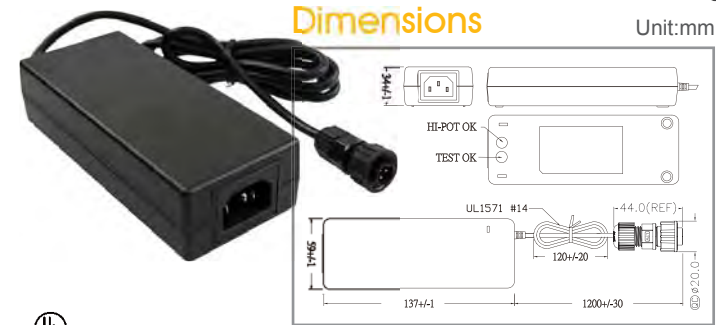
Connector Type



Ordering Information

Part No.	Description
710901012000	120W AC/DC Power Adapter (2pin Soldered Wires)
670000000109	120W AC/DC Power Adapter (3pin Terminal Block)

EA11001 120W AC/DC Power Adapter (IP65 Waterproof Connector)



Specifications

- Input Voltage Range : 100-240 VAC +/- 10% full range
- Input Frequency: 47~63 Hz
- Output Voltage: 19V
- Output Current: 6.3
- Output Watts: 120W
- Eff ciency: 85%
- Operating Temperature: 0°C~40°C
- Storage Temperature: -20°C~85°C

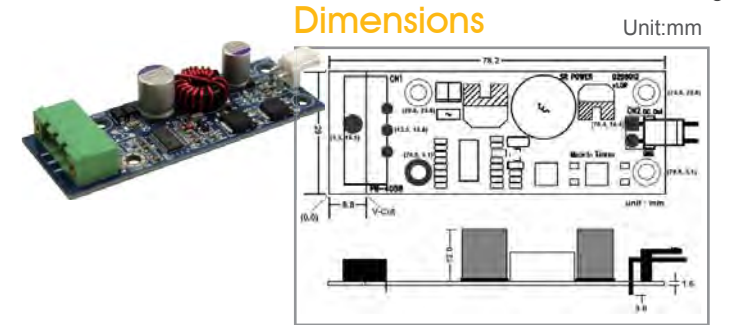
Connector Type



Ordering Information

Part No.	Description
677100000013	120W AC/DC Power Adapter (IP 65 Waterproof Connector)

PB-405B DC/DC Power Module



Specifications

- Wide range DC input 11~32V
- AT Mode
- Output (Max.) 12V@6.6A
- Max. total output : 80W
- Up to 95% Eff ciency
- Dimensions:78.2mm x 29mm
- Operating Temperature: -20°C~60°C
- Storage Temperature: -40°C~70°C

Pin Assignments

Output Connector	Pin1	Pin2
CN2	+12V	GND

Ordering Information

Part No.	Description
710602108003	PB-405B/80W DC/DC Power Module, DC input 11~32V

EA11351 120W AC/DC Power Adapter



Specifications

- Input Voltage Range : 100-240 VAC +/- 10% full range
- Input Frequency: 47~63 Hz
- Output Voltage: 12V
- Output Current: 10A
- Output Watts: 120W
- Eff ciency: 85%
- Operating Temperature: 0°C~40°C
- Storage Temperature: -20°C~85°C

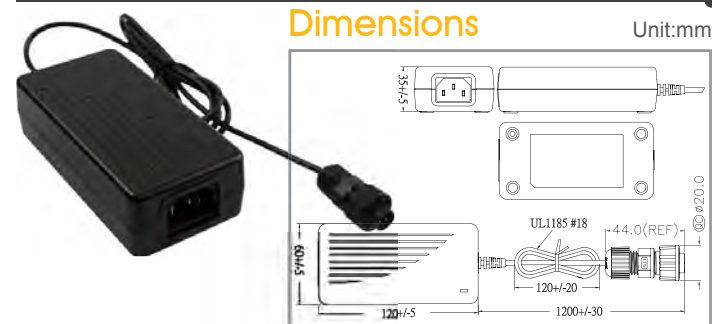
Connector Type



Ordering Information

Part No.	Description
710902012002	120W AC/DC Power Adapter (Plug with Lock Screw ID2.5 x OD5.5)

EA1050 60W AC/DC Power Adapter (IP65 Waterproof Connector)



Specifications

- Input Voltage Range : 100-240 VAC +/- 10% full range
- Output Frequency: 47~63 Hz
- Oputput Voltage: 12V
- Output Current: 5A
- Output Watts: 60W
- Eff ciency: 75%
- Operating Temperature: 0°C~40°C
- Storage Temperature: -20°C~85°C

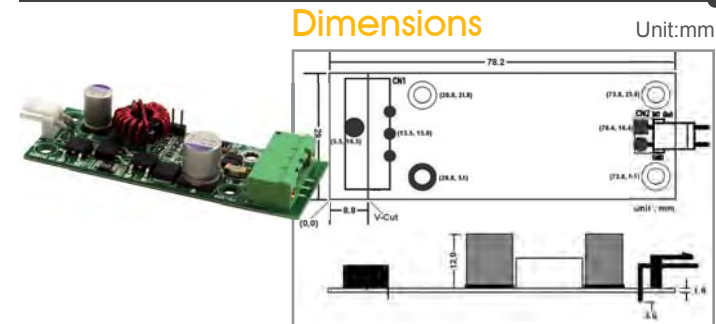
Connector Type



Ordering Information

Part No.	Description
677100000011	60W AC/DC Power Adapter (IP65 Waterproof Connector)

PB-409 DC/DC Power Module



Specifications

- Wide range DC input 9~35V
- AT Mode
- Output (Max.) 12V@6.6A
- Max. total output : 80W
- Up to 92% Eff ciency
- Dimensions:78.2mm x 29mm
- Operating Temperature: -20°C~60°C
- Storage Temperature: -40°C~70°C

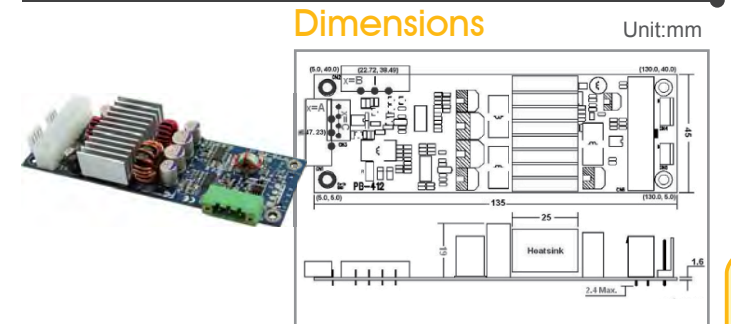
Pin Assignments

Output Connector	Pin1	Pin2
CN2	+12V	GND

Ordering Information

Part No.	Description
710602208006	PB-409/80W DC/DC Power Module, DC input 9~35V

PB-412 DC/DC Power Module



Specifications

- Wide range DC input 11~32V
- AT Mode
- Output (Max.) 12V@6.6A
- Max. total output : 80W
- Up to 95% Eff ciency
- Dimensions:78.2mm x 29mm
- Operating Temperature: -20°C~60°C
- Storage Temperature: -40°C~70°C

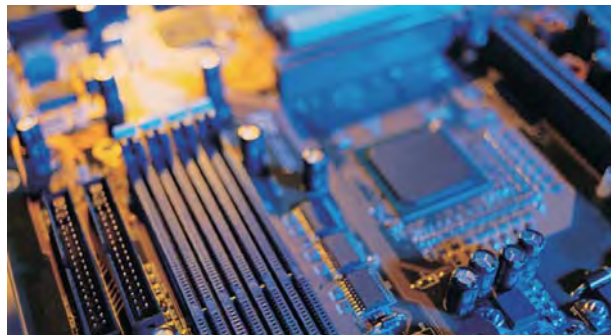
Pin Assignments

Output Connector	Standard
CN6	Standard 20Pin ATX

Ordering Information

Part No.	Description
710602214417	PB-412A/140W DC/DC Power Module/DC input 11~32V
710602214416	PB-412B/140W DC/DC Power Module/DC input 11~32V

Features



- Industrial Memory
- Temperature Ranges
 - Industrial Temperature: 0~70°C for operating
 - Extensive Temperature: -40~85°C for operating
- 100% Original DRAM IC
- High Reliability
- Lifetime Warranty

DDR2 Solution

SO-DIMM Long-DIMM



Specifications

Item	Description
SO-DIMM	DDR2 677 1GB
	DDR2 677 2GB
Long-DIMM	DDR2 677 1GB
	DDR2 677 2GB

DDR2 Solution (Extensive Temperature)

SO-DIMM Long-DIMM



Specifications

Item	Description
SO-DIMM	DDR2 677 1GB
	DDR2 677 2GB
Long-DIMM	DDR2 677 1GB
	DDR2 677 2GB

DDR3 Solution

SO-DIMM Long-DIMM



Specifications

Item	Description
SO-DIMM	DDR3 1066/1333 1GB
	DDR3 1066/1333 2GB
	DDR3 1066/1333 4GB
Long-DIMM	DDR3 1066/1333 1GB
	DDR3 1066/1333 2GB
	DDR3 1066/1333 4GB

DDR3 Solution (Extensive Temperature)

SO-DIMM



Specifications

Item	Description
SO-DIMM	DDR3 1066/1333 1GB
	DDR3 1066/1333 2GB
	DDR3 1066/1333 4GB
Long-DIMM	DDR3 1066/1333 1GB
	DDR3 1066/1333 2GB
	DDR3 1066/1333 4GB

Industrial Compact Flash Series



Specifications

Capacities	2GB, 4GB, 8GB, 16GB
Interface	Compatible with CompactFlash standard Standard ATA/IDE Bus Interface/50pin CompacFlash"
Data Transfer Mode	PIO mode 6, Multiword DMA mode 2, Ultra DMA mode 5
Data Transfer Rate	• SLC Flash: Sustain Read Speed up to 35MB/s and Write Speed up to 25MB/s • MLC Flash: Sustain Read Speed up to 33MB/s and Write Speed up to 15MB/s
Ranges Temperature	• Industrial Temperature: 0~70°C for operating • Extensive Temperature: -40~85°C for operating
Power Mode:	Auto Standby-by and sleep mode
Power Consumption:	210mA (max.)
Input Voltage:	3.3V~5.5V
Certif cate:	RoHS/CE/FCC

Ordering Information

Part No.	Description
33120000000	2G/SLC/PHISON/CF-SLC2G-N
33140000001	4G/SLC/PHISON/CF-SLC4G-N
33180000000	8G/SLC/PHISON/CF-SLC8G-N
33116000001	16G/SLC/PHISON/CF-SLC16G-N

Industrial Flash SSD Series



Specifications

Series	SSD Flash Module-SLC	SSD Flash Module-MLC
Interface	SATA 3 GB/s	SATA 3 GB/s
Connector	7+15 pin male	7+15 pin male
Physical Form Factor (Inch)	2.5"	2.5"
Flash type	SLC	MLC
Capacity	8G, 16G, 32GB, 64GB, 128G	32GB, 64GB, 128G
Max. R/W Performance (MB/sec)	230/175	155/100
ECC Support	16 or 24 bit/1K Bytes	16 or 24 bit/1K Bytes
Standard Operation Temperature	0~70°C	0~70°C
Extensive Operation Temperature	-40~85°C	x
Shock	1500G	1500G
Vibration	15G	15G
Humidity	5%~95%	5%~95%
MTBF (Hours)	>2,000,000	>1,000,000
Dimensions (mm)	100(L) x 69.8(W) x 9.3(H)	100(L) x 69.8(W) x 9.3(H)
Certif cate:	RoHS/CE/FCC	RoHS/CE/FCC

MRA258L-1BAYMO



Specifications

- 2.5" SATA HDD single bay with keylock, without casing
- Support SATA and SATA II interface
- Material : Stainless steel & ABS
- Patent non-scratch SATA connector
- Dimension:14(H) x 89(W) x 135.2(L)mm
- N.W.: 98g
- Without LED / SATA CABLE / POWER CABLE
- CE,FCC,RoHS complete

MRA265MO



Specifications

- 2.5" SATA HDD single bay with keylock, without casing
- Support SATA and SATA II interface
- Material : Stainless steel & ABS
- Patent non-scratch SATA connector
- Dimension:14(H) x 89(W) x 135.2(L)mm
- N.W.:98g
- Without power cable / data cable / LED cable
- CE,FCC,RoHS complete

MRA258L-PCI



Specifications

- Fit in PCI slot
- For 2.5" SATA Hard Driver with keylock
- Support SATA and SATA II interface
- Material : Aluminum & ABS
- 2 x LED for power on and HDD activity
- Include power cable / data cable / LED cable
- Dimension:24(H) x 120(W) x 145(L)mm
- N. W.: 148g
- CE,FCC,RoHS complete

MRA261L



Specifications

- Fit in 3.5" slot
- For 2.5" SATA Hard Driver with keylock
- Support SATA and SATA II interface
- 2 x LED for power on and HDD activity
- Include power cable / data cable / LED cable
- Dimension:25(H) x 102(W) x 138(L)mm
- N. W.: 220g
- CE,FCC,RoHS complete

MRA261L-PRO



Specifications

- Fit in 3.5" slot
- For 1 x 2.5" SATA Hard Driver with keylock
- anti-shock proof design
- Support SATA and SATA II interface
- Material : Stainless steel & ABS
- 2 x LED for power on and HDD activity
- Include power cable / data cable / LED cable
- Dimension:25(H) x 102(W) x 138(L)mm
- N. W.: 233g
- CE,FCC,RoHS complete

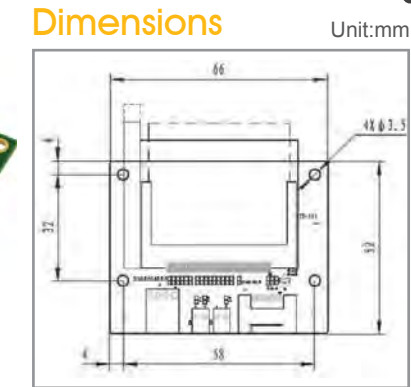
MRA258L



Specifications

- Fit in 3.5" slot
- For 2 x 2.5" SATA Hard Driver with keylock
- Support SATA and SATA II interface
- Material : Stainless steel & ABS
- 2 x LED for power on and HDD activity
- Include power cable / data cable / LED cable
- Dimension:25(H) x 102(W) x 138(L)mm
- N. W.: 286g
- CE,FCC,RoHS complete

TB-503 SATA to CF converter board



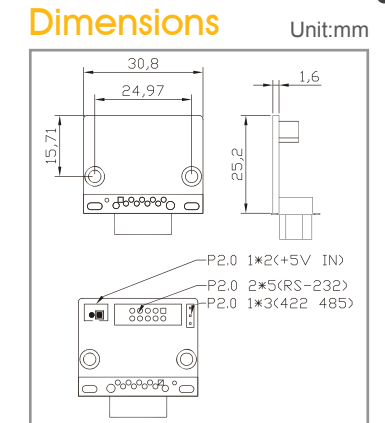
Specifications

- CF type II socket
- 50-pin CF type II connector
- SATA connector
- 4PIN Power Connector
- Master/slave mode Selection

Ordering Information

Part No.	Description
640505031003	TB-503 SATA to CF converter board

TB-507 RS-232 to RS-422/485 converter board



Specifications

- 10 PIN RS-232 in connector
- DB-9 RS422/485 out connector
- RS422/485 mode Selection

Ordering Information

Part No.	Description
640505071000	TB-507 RS-232 to RS-422/485 converter board

D-100 Stand



Specifications

- Apply to 5.7" ~ 17" LCD monitor
- VESA75/100 stand
- Support up to 10kg
- Adjustable display angle
- White color
- Material: Heavy-duty steel
- RoHS compliant

Ordering Information

Part No.	Description
90000001001	D-100 Stand

D-101 Stand



Specifications

- Apply to 5.7"~15" LCD monitor
- VESA75/100 stand
- Support up to 7kg
- Adjustable display angle
- Black color
- Material: plastic and steel
- RoHS compliant

Ordering Information

Part No.	Description
90000001002	D-101 Stand

D-102 Stand



Specifications

- Apply to 5.7" ~ 24" LCD monitor
- VESA75/100 stand
- Support up to 15kg
- Adjustable display angle
- Black color
- Material: Heavy-duty steel
- RoHS compliant

Ordering Information

Part No.	Description
660306001001	D-102 Stand