



**PREMIER
INDUSTRIAL**

Premier Computer Handels GmbH
Wöhlerstrasse 6
D-22113 Hamburg (Germany)

Tel: +49 (0)40 736161-0
Fax: +49 (0)40 736161-33

office@premiercomputer.de
www.premiercomputer.de

Industrial PCs

-  Panel PC
-  HMI Controller
-  Display Monitor
-  Box PC

All products and company names listed are trademarks or trade names of their respective companies.
All specifications are subject to change without further notice. 201105-V10



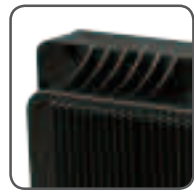
**PREMIER
COMPUTER**

APC-3081

Rugged Panel PC



Features



Rugged, Waterproof IP 67 Grade, Aluminum Die Casting Housing



High Brightness 800 nits for Option



Wide Range Working Temperature -20~70 °C Available



180 Degrees Adjustable Mounting Kit



Wi-Fi, Bluetooth, 3.5G, GPS Module for Option

APC-3081

APC-3081

External I/O



APC-3081

- 2 x USB ports
- 1 x LAN
- 1 x COM port
- 1 x DC power input

Panel PC

APC-3081

Rugged Panel PC

Specifications

Model No.	APC-3081
System	
Processor	Intel Atom Z510 1.1 GHz, optional Z530 1.6 GHz
System Memory	1 GB DDR2 400 MHz on board
System Chipset	Intel US15W
External I/O Port	<ul style="list-style-type: none"> • 2 x USB ports • 1 x Gigabit LAN • 1 x COM port • 1 x DC power input
Solid Storage Disk	<ul style="list-style-type: none"> • 1 x 2.5" SATA HDD • 1 x CF Slot (on board)
Expansion Slots	None
OS Support	Windows XP, XP Embedded, Win CE 5.0
LCD	
Display Type	8" TFT-LCD
Max. Resolution	800x600
Max. Color	262K
Luminance (cd/m ²)	350, 800 for option
View Angle	H:140° / V:100°
Backlight Lifetime	40,000 hrs
Touch Screen	
Type	Resistive touch (Optional)
Light Transmission	80%
Power Supply	
Power Input	DC 9~32V
Mechanical	
Construction	Aluminum die casting housing
IP Rating	IP 67
Mounting	VESA 75x75 Mount
Dimension	251(W)x201(H)x64(D) mm
Net Weight	4.2kgs
Environmental	
Operating Temperature	0~50 °C, -20~70 °C (Wide temperature model)
Storage Temperature	-20~60 °C, -30~85 °C (Wide temperature model)
Storage Humidity	10~90%@40°C non-condensing
Certificate	CE/FCC Class A

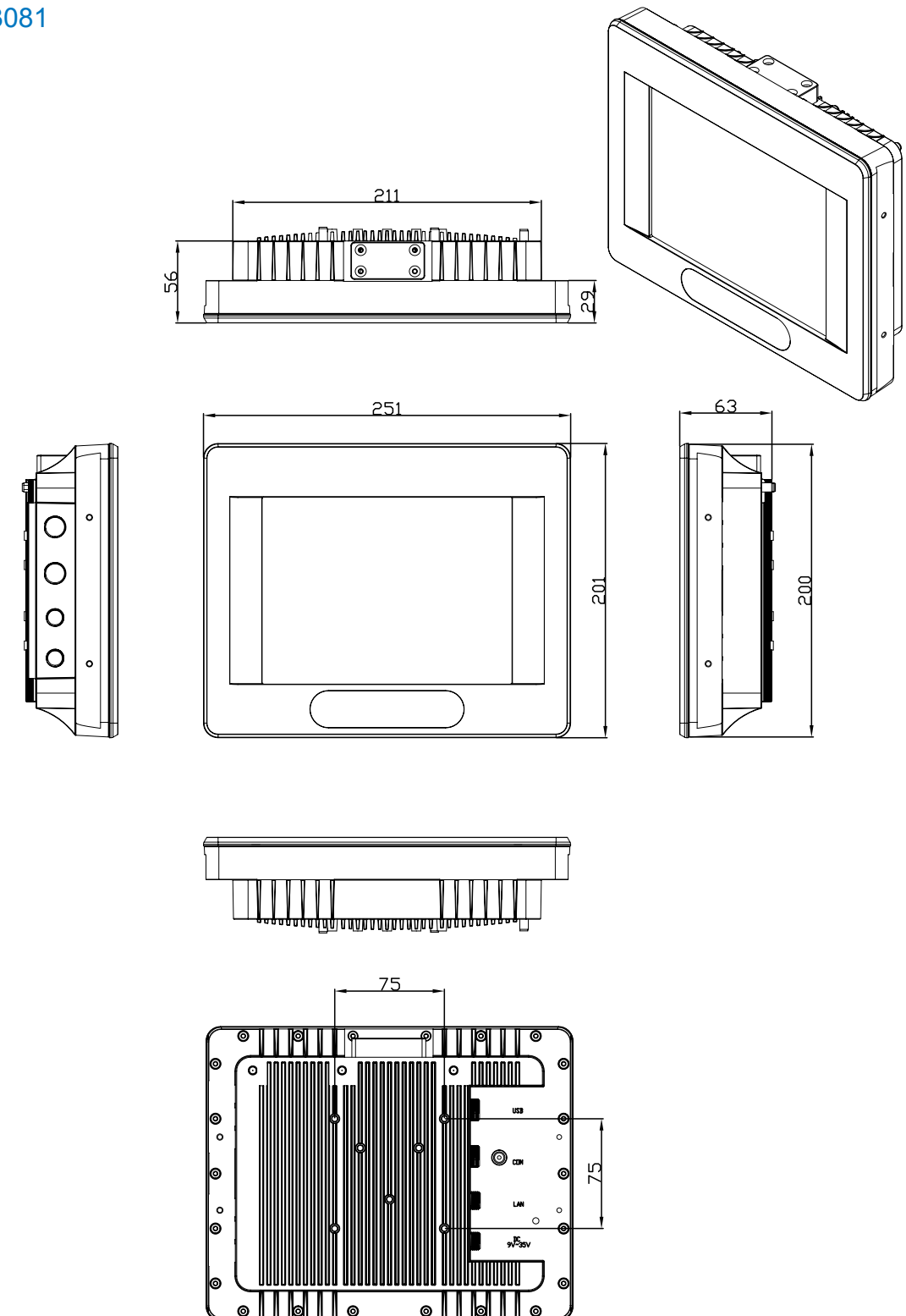
APC-3081

APC-3081

Dimensions

unit:mm

APC-3081



APC-3X91 Series

Performance IP 65



Features



Stainless Steel, Sturdy and Reliable



Wide Range DC 11~32V Input



Core 2 Duo, Fanless Design



GFG Touch for Option



Totally IP 65

APC-3X91 Series

APC-3591/APC-3791/APC-3991

External I/O Port



APC-3591

Standard I/O:

- 2 x USB ports
- 1 x RJ-45 GbE LAN
- 2 x DB-9 RS-232 (COM 1-2) connectors
- 1 x DC power input

Full Function I/O Ports:

- 1 x VGA DB-15 port
- 1 x Audio, Line-out



APC-3791

Standard I/O:

- 2 x USB ports
- 1 x RJ-45 GbE LAN
- 2 x DB-9 RS-232 (COM 1-2) connectors
- 1 x DC power input

Full Function I/O Ports:

- 1 x VGA DB-15 port
- 1 x Audio, Line-out



APC-3991

Standard I/O:

- 2 x USB ports
- 1 x RJ-45 GbE LAN
- 2 x DB-9 RS-232 (COM 1-2) connectors
- 1 x DC power input

Full Function I/O Ports:

- 1 x VGA DB-15 port
- 1 x Audio, Line-out

APC-3X91 Series

Performance IP 65

Specifications

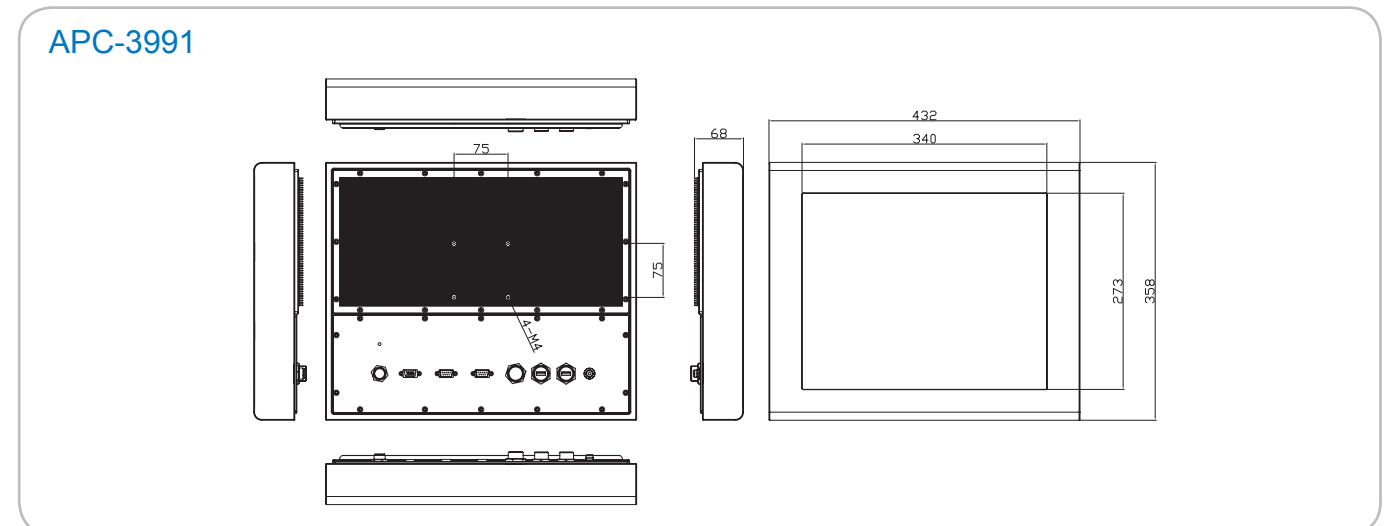
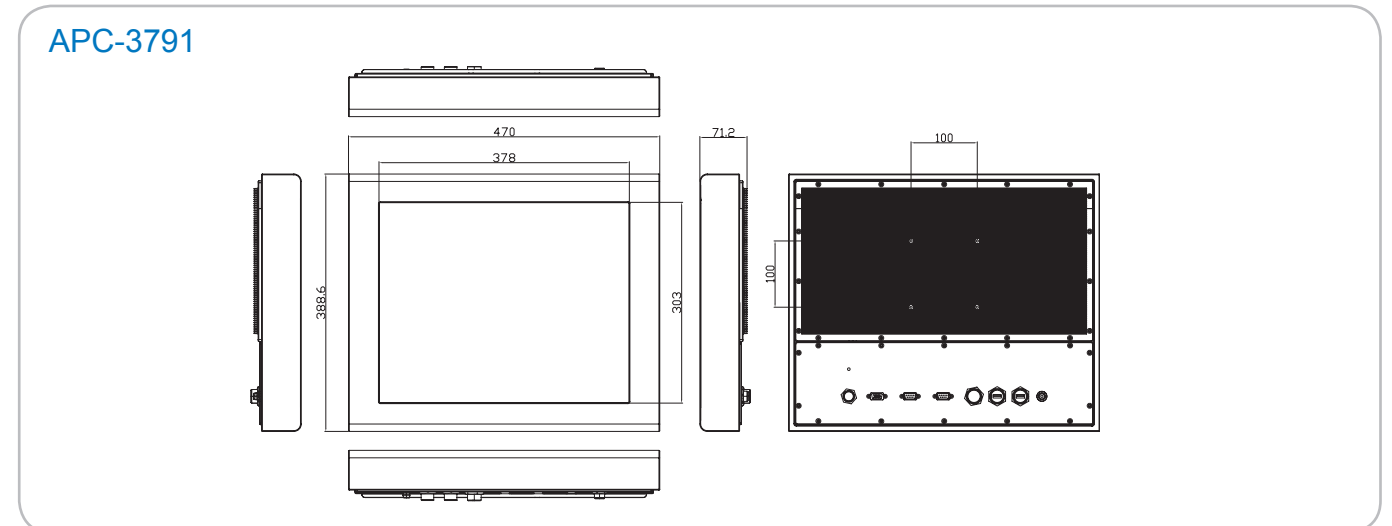
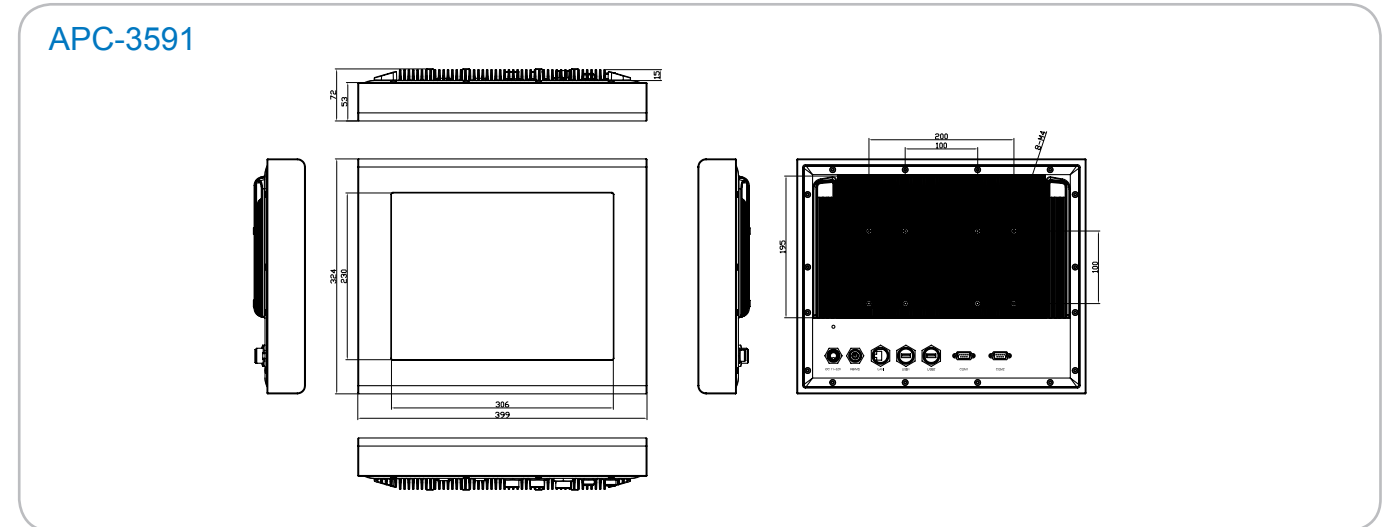
Model No.	APC-3591	APC-3791	APC-3991
System			
Processor	Intel Socket P Core 2 Duo Processor with FSB 667/800/1066 MHz, up to Intel P 8400		
System Memory	1 x 204-pin DDR3 1066/800 MHz SO-DIMM slot, up to 4 GB		
System Chipset	Intel GM45 + Intel ICH9M		
External I/O Port	Standard I/O: • 2 x USB ports • 1 x RJ-45 GbE LAN • 2 x DB-9 RS-232 (COM 1-2) connectors • 1 x DC power input Full Function I/O Ports: • 1 x VGA DB-15 port • 1 x Audio, Line-out		
Solid Storage Disk	• 1 x 2.5" SATA HDD • 1 x CF Slot (internal)		
Expansion Slots	None		
OS Support	Windows XP Pro, XP Embedded		
LCD			
Display Type	15" TFT-LCD	17" TFT-LCD	19" TFT-LCD
Max. Resolution	1024x768	1280x1024	1280x1024
Max. Color	262K	262K	16.7M
Luminance (cd/m ²)	350	300	350
View Angle	H:120° / V:100°	H:170° / V:160°	H:170° / V:160°
Backlight Lifetime	50,000 hrs		
Touch Screen			
Type	Resistive (optional)		
Light Transmission	80%		
Power Supply			
Power Input	DC 11~32V		
Mechanical			
Construction	Stainless steel front bezel and aluminum extrusion back cover		
IP Rating	IP 65		
Mounting	VESA 100x100 / 200x100 Mount	VESA 100x100 Mount	VESA 75x75 Mount
Dimension	399(W)x324(H)x72(D) mm	432(W)x358(H)x68(D) mm	470(W)x389(H)x71(D) mm
Net Weight	6.9kgs	9.8kgs	11.2kgs
Environmental			
Operating Temperature	0~50 °C		
Storage Temperature	-20~60 °C		
Storage Humidity	10~90% @40 °C non-condensing		
Certificate	CE/FCC Class A		

APC-3X91 Series

APC-3591/APC-3791/APC-3991

Dimensions

unit:mm



APC-3X92 Series

Performance IP 65



Features



Full Flat Bezel Design



Great Stainless Steel Workmanship



Projective Capacitive Touch Supports for APC-3592
Resistive Overlay Touch for APC-3792



Wide Working Temperature and Wide Range DC 11~32V Input



Great Thermal Design

APC-3X92 Series

APC-3592/APC-3792

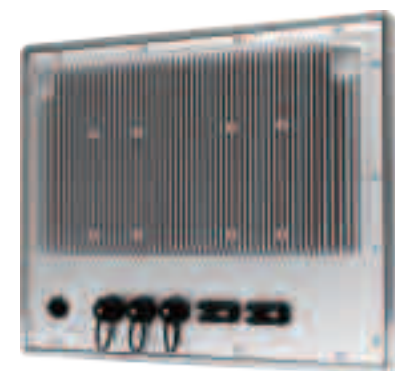
External I/O Port



APC-3592



APC-3792



APC-3592



APC-3792

APC-3592

Standard I/O:

- 2 x USB ports
- 1 x RJ-45 GbE LAN
- 1 x DB-9 RS-232 (COM 1) connector
- 1 x DB-9 RS-422/485 (COM 2) connector
- 1 x DC power input

Optional I/O:

- 1 x DB-15 VGA port
- 1 x Audio Line-out

APC-3792

Standard I/O:

- 2 x USB ports
- 1 x RJ-45 GbE LAN
- 1 x DB-9 RS-232 (COM 1) connector
- 1 x DB-9 RS-422/485 (COM 2) connector
- 1 x DC power input

Optional I/O:

- 1 x Audio Line-out

APC-3X92 Series

Performance IP 65

Specifications

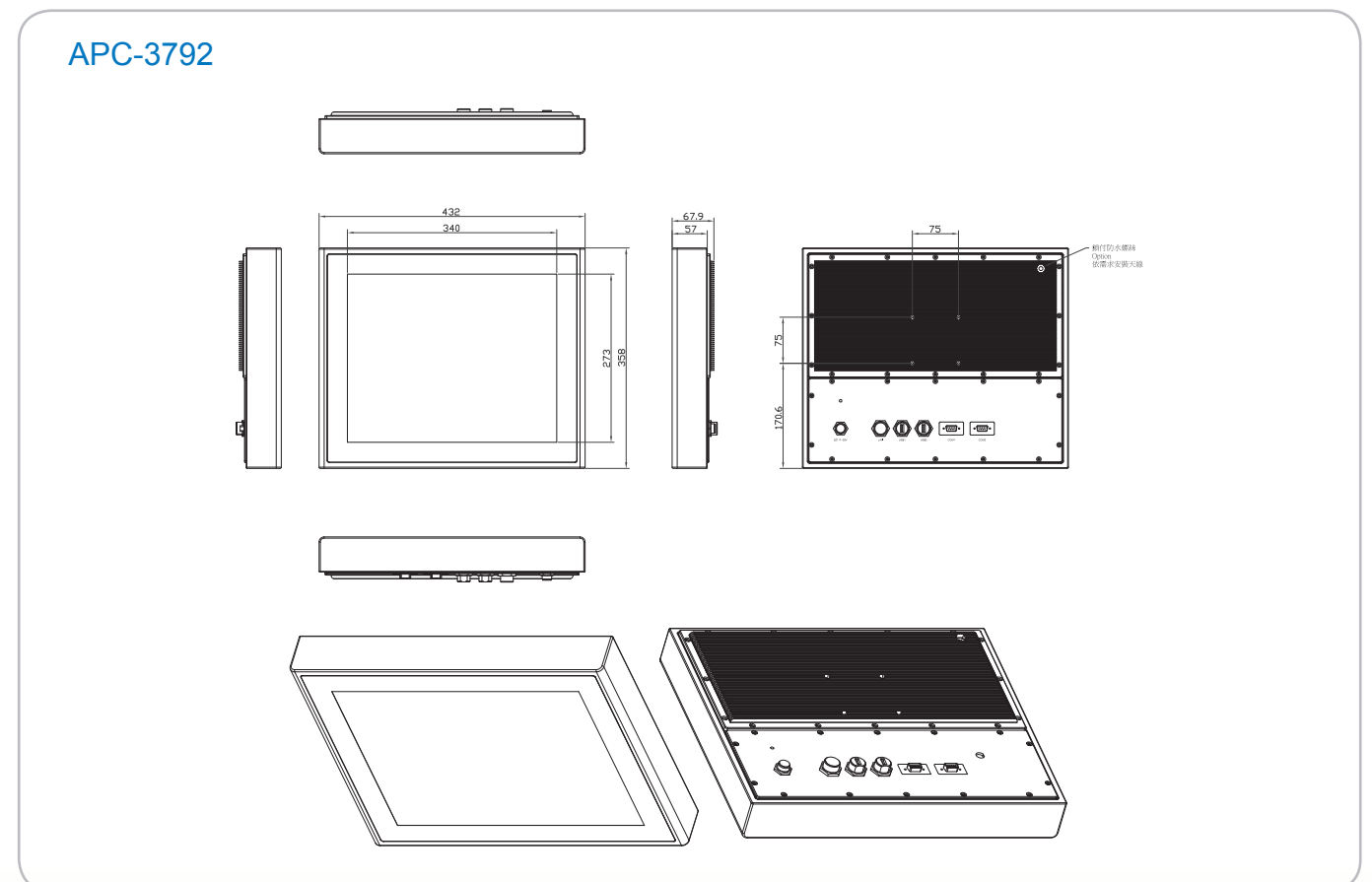
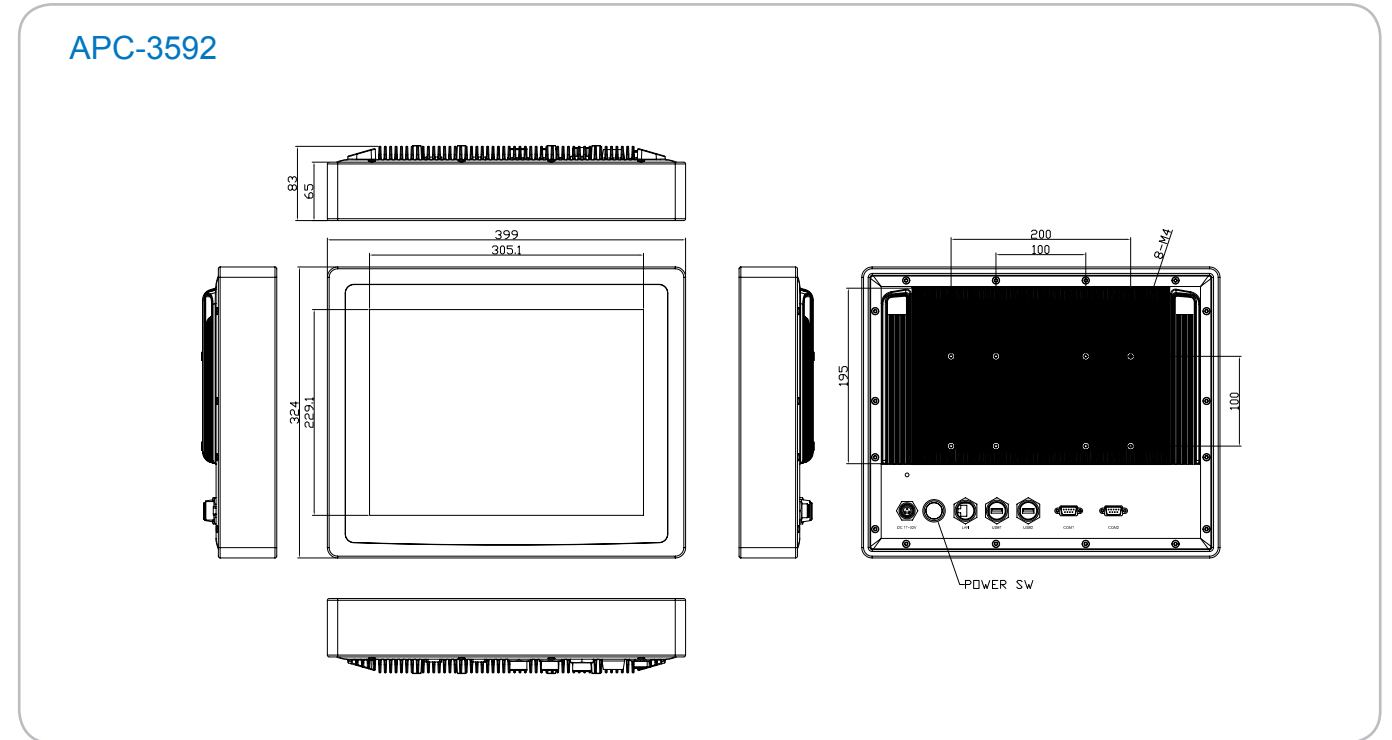
Model No.	APC-3592	APC-3792
System		
Processor	Intel Atom Processor D525 1.8 GHz DMI 64 bit	
System Memory	1 x 204-pin DDR3 800 MHz SO-DIMM slot, up to 2 GB	
System Chipset	Intel ICH8M	
External I/O Port	Standard I/O: • 2 x USB ports • 1 x RJ-45 GbE LAN • 1 x DB-9 RS-232 (COM 1) connector • 1 x DB-9 RS-422/485 (COM 2) connector • 1 x DC power input Optional I/O: • 1 x DB-15 VGA port • 1 x Audio Line-out	Standard I/O: • 2 x USB ports • 1 x RJ-45 GbE LAN • 1 x DB-9 RS-232 (COM 1) connector • 1 x DB-9 RS-422/485 (COM 2) connector • 1 x DC power input Optional I/O: • 1 x Audio Line-out
Solid Storage Disk	• 1 x 2.5" SATA HDD • 1 x CF Slot (internal)	
Expansion Slots	None	
OS Support	Windows XP Pro, XP Embedded, Windows Embedded Standard 7	
LCD		
Display Type	15" TFT-LCD	17" TFT-LCD
Max. Resolution	1024x768	1280x1024
Max. Color	16.2M	262K
Luminance (cd/m ²)	400	300
View Angle	H:160° / V:140°	H:170° / V:160°
Backlight Lifetime	50,000 hrs	
Touch Screen		
Type	Projective capacitive	Overlay resistive
Light Transmission	80%	
Power Supply		
Power Input	DC 11~32V	
Mechanical		
Construction	Stainless steel	
IP Rating	IP 65	
Mounting	VESA 100x100 / 200x100 Mount	VESA 75x75 Mount
Dimension	399(W)x324(H)x64.3(D) mm	432(W)x358(H)x68.2(D) mm
Net Weight	6.9kgs	9.8kgs
Environmental		
Operating Temperature	-20~60 °C	0~40 °C
Storage Temperature	-30~70 °C	-20~60 °C
Storage Humidity	10~90% @40 °C non-condensing	
Certificate	CE/FCC Class A	

APC-3X92 Series

APC-3592/APC-3792

Dimensions

unit:mm

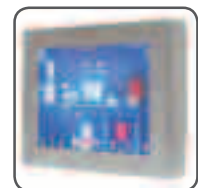


APC-3X97A Series

Low power consumption IP 65



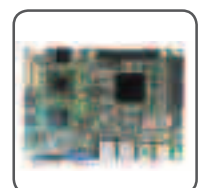
Features



Slim Size, No External Heatsink



Wide Range DC 11~32V Input



All Solid Capacitor Motherboard



Totally IP65



Flexible I/O Selection

APC-3X97A Series

APC-3597A/APC-3797A/APC-3997A

External I/O Port



APC-3597A

Standard I/O:

- 2 x USB ports
- 1 x RJ-45 ports
- 1 x DB-9 RS-232 (COM 1)
- 1 x DB-9, COM2 (RS-232/422/485 selection, default RS-232)
- 1 x DC Power input

Full Function I/O Ports:

- 1 x DB-15 VGA
- 1 x Audio, Line-out



APC-3797A

Standard I/O:

- 2 x USB ports
- 1 x RJ-45 ports
- 1 x DB-9 RS-232 (COM 1)
- 1 x DB-9, COM2 (RS-232/422/485 selection, default RS-232)
- 1 x DC Power input

Full Function I/O Ports:

- 1 x DB-15 VGA
- 1 x Audio, Line-out



APC-3997A

Standard I/O:

- 2 x USB ports
- 1 x RJ-45 ports
- 1 x DB-9 RS-232 (COM 1)
- 1 x DB-9, COM2 (RS-232/422/485 selection, default RS-232)
- 1 x DC Power input

Full Function I/O Ports:

- 1 x DB-15 VGA
- 1 x Audio, Line-out

APC-3X97A Series

Low power consumption IP 65

Specifications

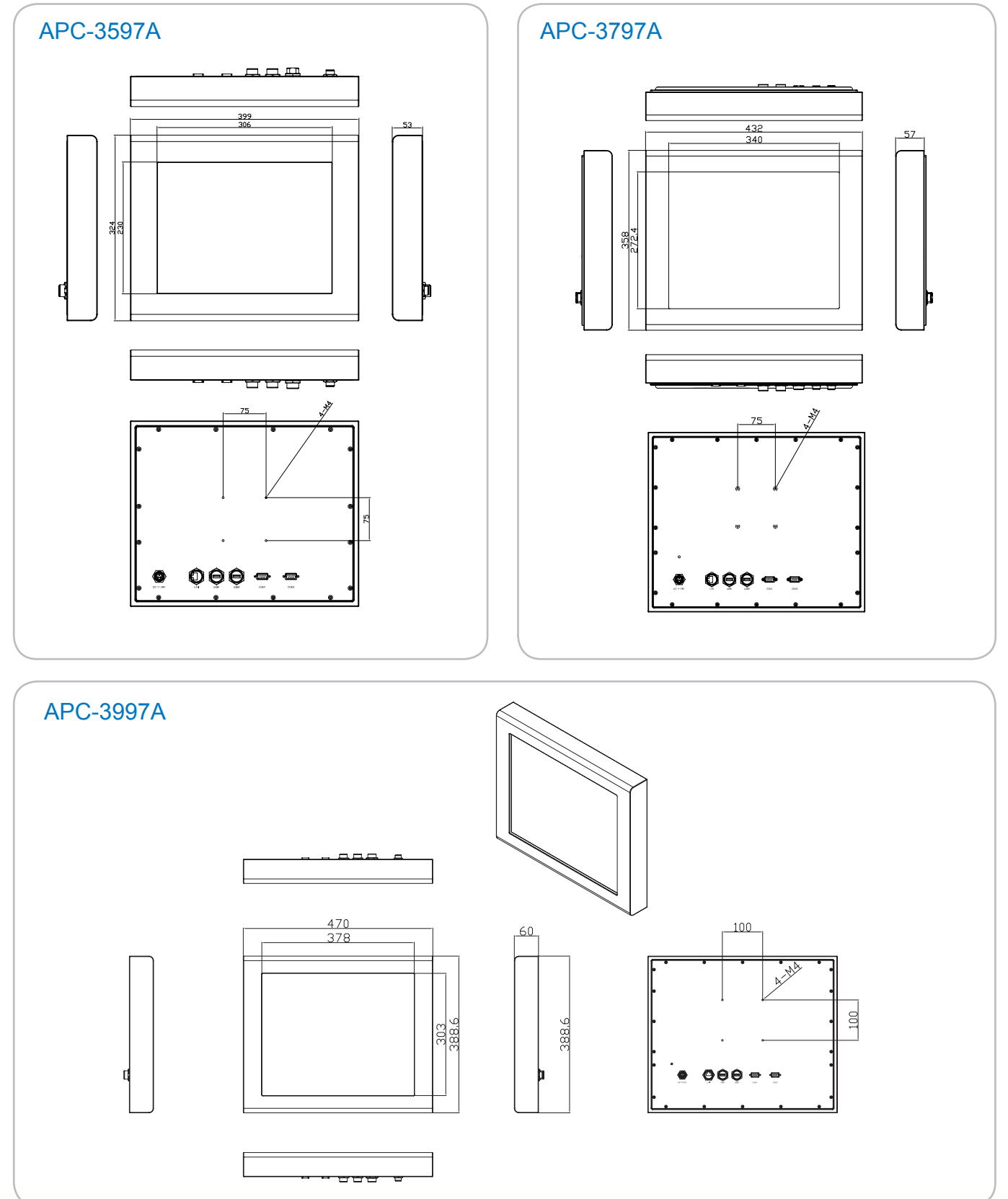
Model No.	APC-3597A	APC-3797A	APC-3997A
System			
Processor	Intel Atom N270 1.6 GHz processor, FSB 533 MHz		
System Memory	1 x 200-pin DDR2 533 MHz SO-DIMM slot, up to 2 GB		
System Chipset	Intel 945GSE + Intel ICH7M		
External I/O Port	Standard I/O: • 2 x USB ports • 1 x RJ-45 port • 1 x DB-9 RS-232 (COM 1) • 1 x DB-9, COM2 (RS-232/422/485 selection, default RS-232) • 1 x DC Power input Full Function I/O Ports: • 1 x DB-15 VGA • 1 x Audio, Line-out		
Solid Storage Disk	• 1 x 2.5" SATA HDD • 1 x CF Slot (internal)		
Expansion Slots	None		
OS Support	Windows XP Pro, XP Embedded		
LCD			
Display Type	15" TFT-LCD	17" TFT-LCD	19" TFT-LCD
Max. Resolution	1024x768	1280x1024	1280x1024
Max. Color	262K	16.7M	262K
Luminance (cd/m ²)	350	300	300
View Angle	H:120° / V:100°	H:160° / V:170°	H:160° / V:160°
Backlight Lifetime	50,000 hrs		
Touch Screen			
Type	Resistive (optional)		
Light Transmission	80%		
Power Supply			
Power Input	DC 11~32V		
Mechanical			
Construction	Satinless steel		
IP Rating	IP 65		
Mounting	VESA 75x75 Mount	VESA 75x75 Mount	VESA 100 x 100 Mount
Dimension	399(W)x324(H)x53(D) mm	432(W)x358(H)x57(D) mm	470(W)x388.6(H)x60(D) mm
Net Weight	6.9kgs	9.8kgs	11.2kgs
Environmental			
Operating Temperature	0~50 °C		
Storage Temperature	-20~60 °C		
Storage Humidity	10~90% @40 °C non-condensing		
Certificate	CE/FCC Class A		

APC-3X97A Series

APC-3597A/APC-3797A/APC-3997A

Dimensions

unit:mm



APC-3X98A Series

Ultra low power consumption IP 65



Features



Ultra Low Power Consumption



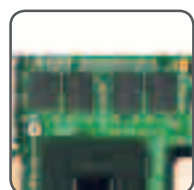
All Solid Capacitor Motherboard



Ultra Wide Range DC 9~32V Input



Totally IP 65



On Board 1GB DDR2 400 MHz Memory

APC-3X98A Series

APC-3098/APC-3298A/APC-3598A

External I/O Port



APC-3098

- 2 x USB 2.0 ports
- 2 x RJ-45 LAN ports
- 1 x DB-9 RS-232 (COM1) and RS-422/485
- 1 x DC power input



APC-3298A

- 2 x USB 2.0 ports
- 2 x RJ-45 LAN ports
- 1 x DB-9 RS-232 (COM1)
- 1 x DB-9, COM 2 (RS-232/422/485 connector ,default RS-232)
- 1 x DC power input



APC-3598A

Standard I/O:

- 2 x USB 2.0 connector
- 1 x RJ-45 LAN
- 1 x DB-9 RS-232 (COM 1) connector
- 1 x DB-9, COM 2 (RS-232/422/485 connector ,default RS-232)
- 1 x DC Power input

Option:

- 1 x VGA DB-15 port
- 1 x Audio Line-out port

APC-3X98A Series

Ultra low power consumption IP 65

Specifications

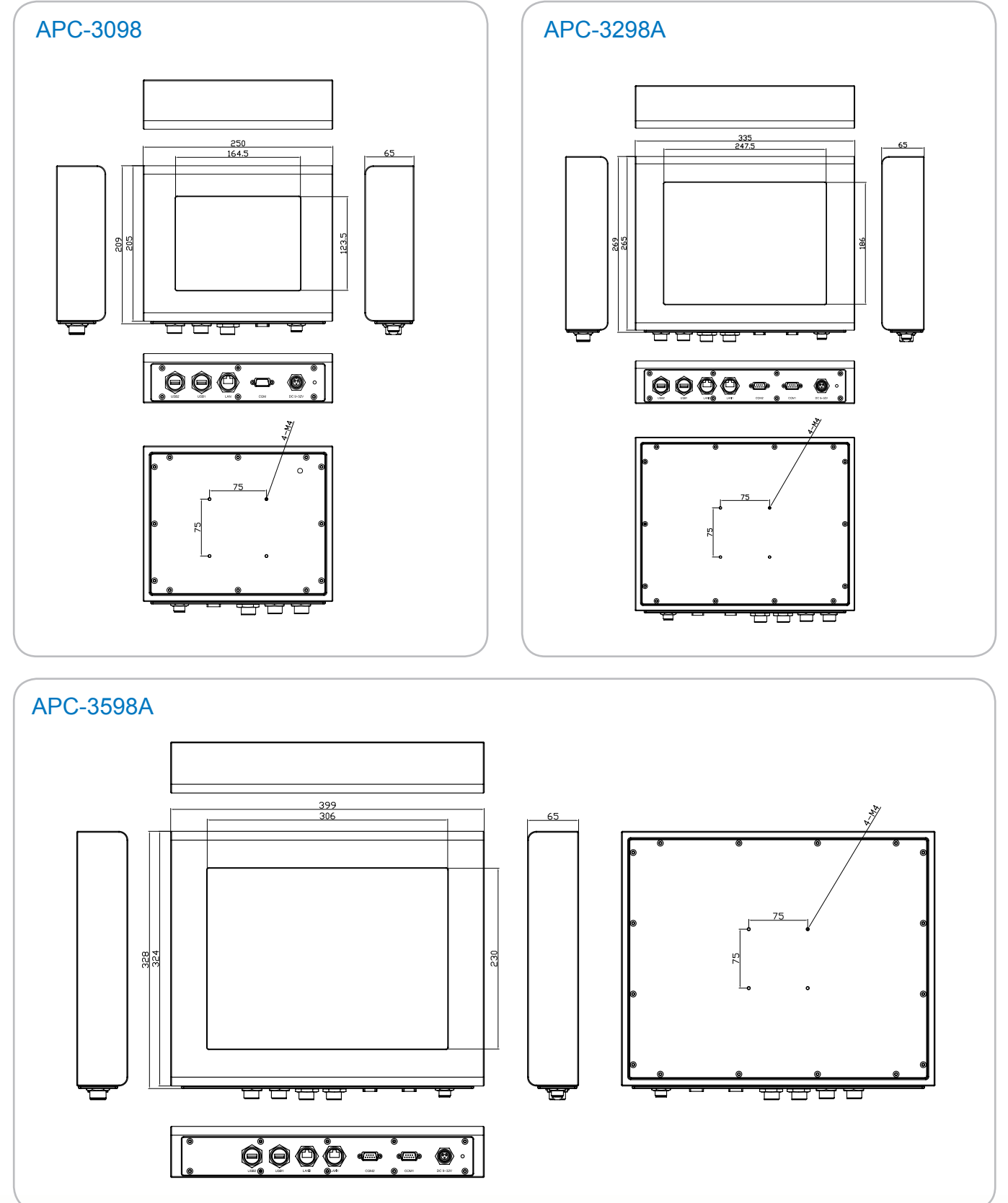
Model No.	APC-3098	APC-3298A (Q3 / 2011)	APC-3598A (Q3 / 2011)
System			
Processor	Intel Atom Z510p 1.1 GHz FSB 400 MHz, Z530p 1.6 GHz FSB 533 MHz for option		
System Memory	On board 1 GB DDR2 400 MHz		
System Chipset	Intel US15WP		
External I/O Port	<ul style="list-style-type: none"> • 2 x USB 2.0 ports • 2 x RJ-45 LAN ports • 1 x DB-9 RS-232 (COM1) and RS-422/485 • 1 x DC power input 	<ul style="list-style-type: none"> • 2 x USB 2.0 ports • 2 x RJ-45 LAN ports • 1 x DB-9 RS-232 (COM 1) • 1 x DB-9 COM 2 (RS-232/422/485 connector, default RS-232) • 1 x DC power input 	Standard I/O: <ul style="list-style-type: none"> • 2 x USB 2.0 connector • 1 x RJ-45 GbE LAN • 1 x DB-9 RS-232 (COM 1) connector • 1 x DB-9, COM 2 (RS-232/422/485 connector, default RS-232) • 1 x DC Power input Option: <ul style="list-style-type: none"> • 1 x VGA DB-15 port • 1 x Audio Line-out port
Solid Storage Disk	<ul style="list-style-type: none"> • 1 x 2.5" SATA HDD • 1 x CF Slot (internal) 		
Expansion Slots	None		
OS Support	Windows XP Pro, XP Embedded		
LCD			
Display Type	8" TFT-LCD	12" TFT-LCD	15" TFT-LCD
Max. Resolution	800x600	800x600	1024 x 768
Max. Color	262K	262K	16.2M
Luminance (cd/m ²)	350		
View Angle	H:130° / V:110°	H:140° / V:110°	H:125° / V:140°
Backlight Lifetime	50,000 hrs		
Touch Screen			
Type	Resistive (optional)		
Light Transmission	80%		
Power Supply			
Power Input	DC 9~32V		
Mechanical			
Construction	Stainless steel		
IP Rating	IP 65		
Mounting	VESA 75x75 Mount		
Dimension	250(W)x209(H)x65(D) mm	335(W)x269(H)x65(D) mm	399(W)x328(H)x65(D) mm
Net Weight	5kgs	5.5kgs	6.9kgs
Environmental			
Operating Temperature	0~50 °C		
Storage Temperature	-20~60 °C		
Storage Humidity	10~90% @40 °C non-condensing		
Certificate	CE/FCC Class A		

APC-3X98A Series

APC-3098/APC-3298A/APC-3598A

Dimensions

unit:mm

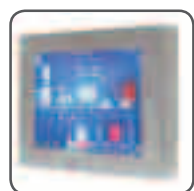


APC-3X84 Series

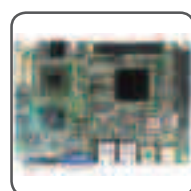
Low power consumption 5 Sides IP 65



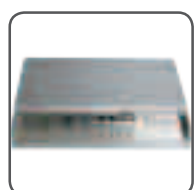
Features



Slim, Fanless Design



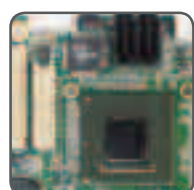
All Solid Capacitor Motherboard



IP 65 Except I/O Side



Wide Range DC 11~32V Power Input



Low Power Consumption

APC-3X84 Series

APC-3284/APC-3584/APC-3784/APC-3984

External I/O Port



APC-3284

APC-3284

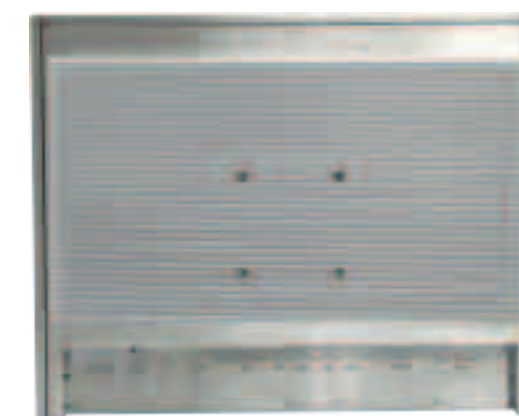
- 4 x USB ports
- 2 x RJ-45 ports
- 1 x DB-9 RS-232 (COM 1)
- 1 x DB-15 VGA
- 1 x MIC, Line-in, Line-out
- 1 x 3-pin DC Power input terminal block connector



APC-3584



APC-3784



APC-3984

APC-3584/APC-3784/APC-3984

Standard I/O:

- 4 x USB 2.0 connector
- 2 x RJ-45 LAN connector
- 1 x DB-9 RS-232 (COM 1)
- 1 x DB-9, COM2 (RS-232/422/485 selection, default RS-232)
- 1 x DB-15 VGA
- 1 x MIC, LINE-Out, LINE-in
- 1 x Power Switch (ATX)
- 1 x 3-pin DC Power input terminal block connector

APC-3X84 Series

Low power consumption 5 Sides IP 65

Specifications

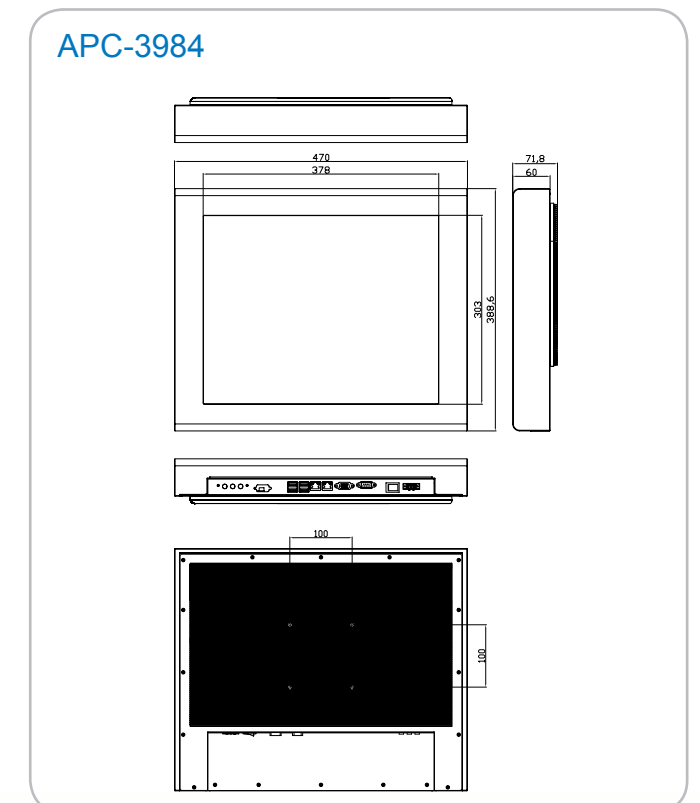
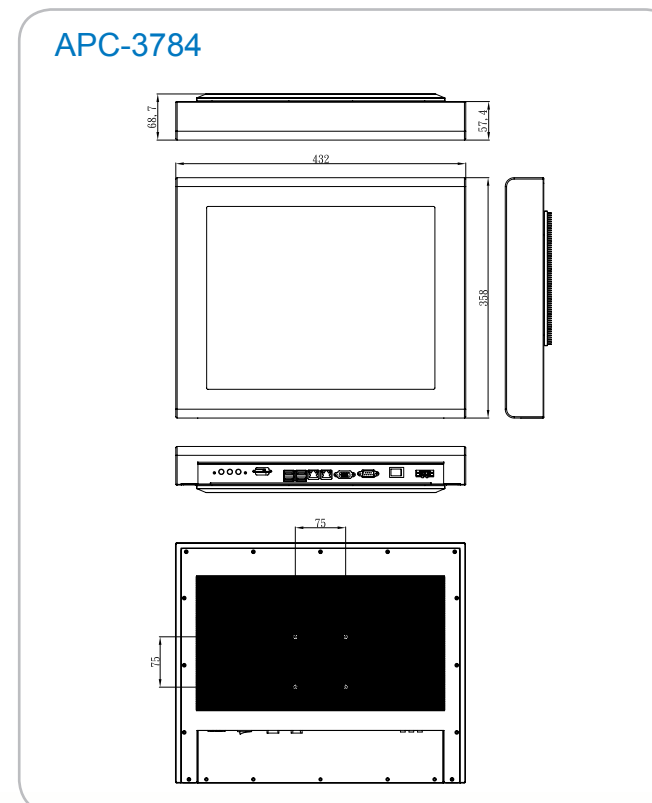
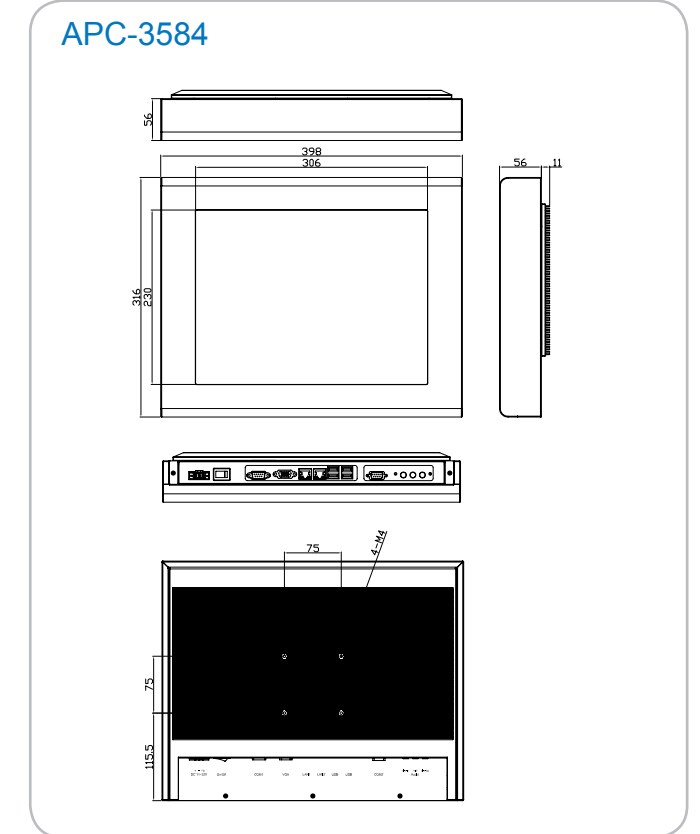
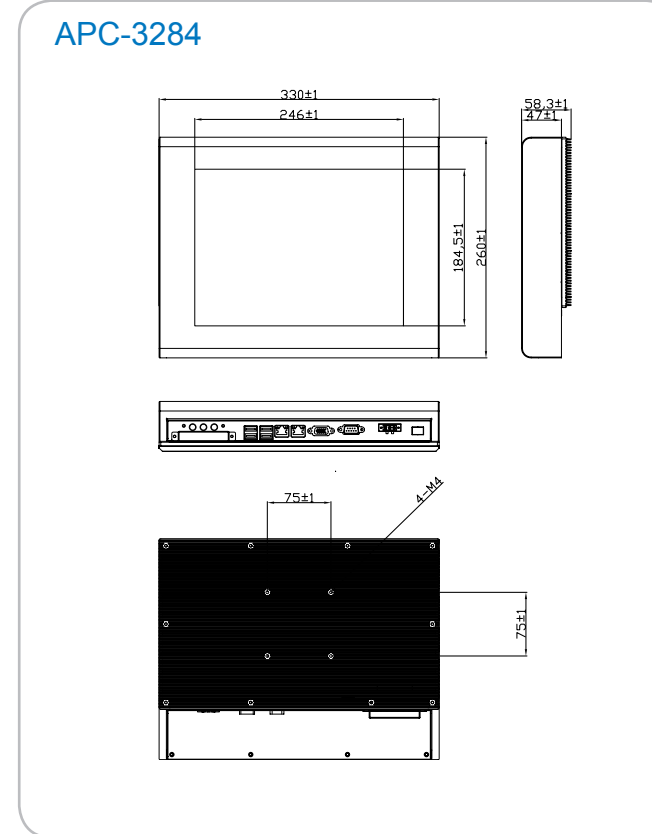
Model No.	APC-3284	APC-3584	APC-3784	APC-3984
System				
Processor	Intel Atom N270 1.6 GHz processor, FSB 533 MHz			
System Memory	1 x 200-pin DDR2 533 MHz SO-DIMM slot up to 2 GB			
System Chipset	Intel 945GSE + Intel ICH7M			
External I/O Por	<ul style="list-style-type: none"> • 4 x USB ports • 2 x RJ-45 ports • 1 x DB-9 RS-232 (COM 1) • 1 x DB-15 VGA • 1 x MIC, Line-in, Line-out • 1 x 3-pin DC Power input terminal block connector 	Standard I/O: <ul style="list-style-type: none"> • 4 x USB 2.0 connector • 2 x RJ-45 LAN connector • 1 x DB-9 RS-232 (COM 1) • 1 x DB-9, COM2 (RS-232/422/485 selection, default RS-232) • 1 x DB-15 VGA • 1 x MIC, LINE-Out, LINE-in • 1 x Power Switch (ATX) • 1 x 3-pin DC Power input terminal block connector 	Standard I/O: <ul style="list-style-type: none"> • 4 x USB 2.0 connector • 2 x RJ-45 LAN connector • 1 x DB-9 RS-232 (COM 1) • 1 x DB-9, COM2 (RS-232/422/485 selection, default RS-232) • 1 x DB-15 VGA • 1 x MIC, LINE-Out, LINE-in • 1 x Power Switch (ATX) • 1 x 3-pin DC Power input terminal block connector 	Standard I/O: <ul style="list-style-type: none"> • 4 x USB 2.0 connector • 2 x RJ-45 LAN connector • 1 x DB-9 RS-232 (COM 1) • 1 x DB-9, COM2 (RS-232/422/485 selection, default RS-232) • 1 x DB-15 VGA • 1 x MIC, LINE-Out, LINE-in • 1 x Power Switch (ATX) • 1 x 3-pin DC Power input terminal block connector
Solid Storage Disk	<ul style="list-style-type: none"> • 1 x 2.5" SATA HDD • 1 x CF Slot (internal) 			
Expansion Slots	None			
OS Support	Windows XP Pro, XP Embedded			
LCD				
Display Type	12.1" TFT-LCD	15" TFT-LCD	17" TFT-LCD	19" TFT-LCD
Max. Resolution	800x600	1024x768	1280x1024	1280x1024
Max. Color	262K			
Luminance (cd/m²)	350	350	300	300
View Angle	H:140° / V:110°	H:120° / V:100°	H:170° / V:160°	H:160° / V:160°
Backlight Lifetime	50,000 hrs			
Touch Screen				
Type	Analog resistive (optional)			
Light Transmission	80%			
Power Supply				
Power Input	DC 11~32V			
Mechanical				
Construction	Stainless steel front bezel and aluminum extrusion back cover			
IP Rating	IP 65			
Mounting	VESA 75 x 75 Mount	VESA 75 x 75 Mount	VESA 75 x 75 Mount	VESA 100 x 100 Mount
Dimension	330(W)x260(H)x58.3(D) mm	398(W)x316(H)x56(D) mm	432(W)x358(H)x68.7(D) mm	470(W)x388.6(H)x71.8(D) mm
Net Weight	5kgs	6.9kgs	9kgs	10.5kgs
Environmental				
Operating Temperature	0~50 °C			
Storage Temperature	-20~60 °C			
Storage Humidity	10~90% @40 °C non-condensing			
Certificate	CE/FCC Class A			

APC-3X84 Series

APC-3284/APC-3584/APC-3784/APC-3984

Dimensions

unit:mm

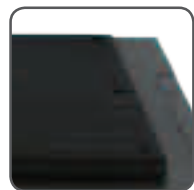


APC-3X17A Series

Performance steel industrial panel PC



Features



Dual Core Fanless Design



Wide Range DC 11~32V Power Input



Panel and VESA Mounting



HDMI Output



PCI Slot Expansion or PCIe x1 Slot Expansion for Option

APC-3X17A Series

APC-3517A/APC-3717A/APC-3917A

External I/O Port



APC-3917A



APC-3717A



APC-3517A

APC-3517A/APC-3717A/APC-3917A

- 4 x USB 2.0 connector
- 2 x RJ-45 LAN connector (GbE)
- 2 x DB-9 RS-232 (COM 1/2)
- 1 x DB-9 RS-232 (COM 3) option for RS-422/485
- 1 x DB-15 VGA Port
- 1 x HDMI Port
- 1 x DVI-D Port
- 1 x PS2 Keyboard/Mouse
- 1 x MIC, 1x LINE-Out, LINE-in
- 1 x 3-pin DC Power input terminal block connector

APC-3X17A Series

Performance steel industrial panel PC

Specifications

Model No.	APC-3517A	APC-3717A	APC-3917A
System			
Processor	Intel Socket P Core 2 Duo processor with FSB 667/800/1066 MHz, up to Intel P8400 processor		
System Memory	2 x 200-pin DDR2 667/800 MHz SO-DIMM slot, up to 4 GB each slot		
System Chipset	Intel GM45 + Intel ICH9M-E		
External I/O Port	<ul style="list-style-type: none"> • 4 x USB 2.0 connector • 2 x RJ-45 LAN connector (GbE) • 2 x DB-9 RS-232 (COM 1/2) • 1 x DB-9 RS-232 (COM 3) option for RS-422/485 • 1 x DB-15 VGA Port • 1 x HDMI Port • 1 x DVI-D Port • 1 x PS2 Keyboard/Mouse • 1 x MIC, 1x LINE-Out, LINE-in • 1 x 3-pin DC Power input terminal block connector 		
Solid Storage Disk	<ul style="list-style-type: none"> • 1 x 2.5" SATA HDD • 1 x CF Slot (internal) 		
Expansion Slots	<ul style="list-style-type: none"> • 1 x 32-bit PCI Slot (Standard) • 1 x PCIe x1 Slot (Optional) 		
OS Support	Windows XP, Windows XP Pro, XP Embedded, Windows Embedded Standard 7		
LCD			
Display Type	15" TFT-LCD	17" TFT-LCD	19" TFT-LCD
Max. Resolution	1024x768	1280x1024	1280x1024
Max. Color	16.7M		
Luminance (cd/m ²)	300	350	300
View Angle	H:150° / V:140°	H:170° / V:160°	H:170° / V:160°
Backlight Lifetime	50,000 hrs		
Touch Screen			
Type	Resistive (optional)		
Light Transmission	80%		
Power Supply			
Power Input	DC 11~32V		
Mechanical			
Construction	Heavy-duty steel chassis		
IP Rating	Front Panel IP 65		
Mounting	Panel / VESA 75x75 Mount		
Dimension	410(W)x310(H)x90.8(D) mm	439(W)x348(H)x93.3(D) mm	484(W)x400(H)x94.3(D) mm
Net Weight	8.5kgs	10kgs	12kgs
Environmental			
Operating Temperature	0~50 °C		
Storage Temperature	-20~60 °C		
Storage Humidity	10~90% @40 °C non-condensing		
Certificate	CE/FCC Class A		

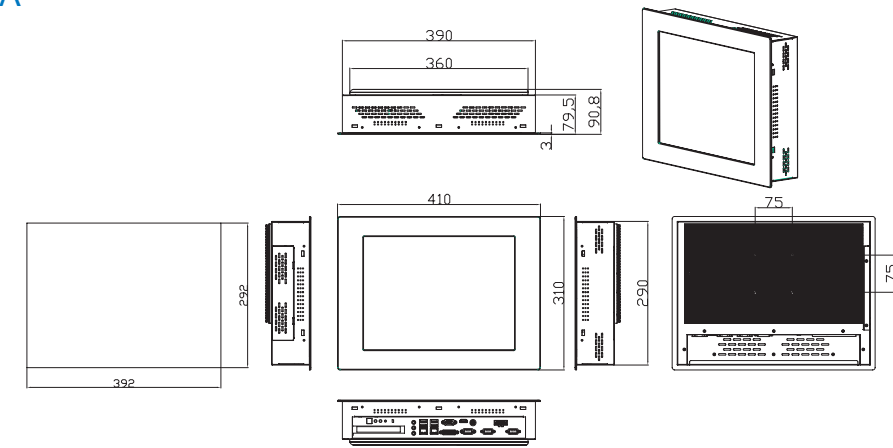
APC-3X17A Series

APC-3517A/APC-3717A/APC-3917A

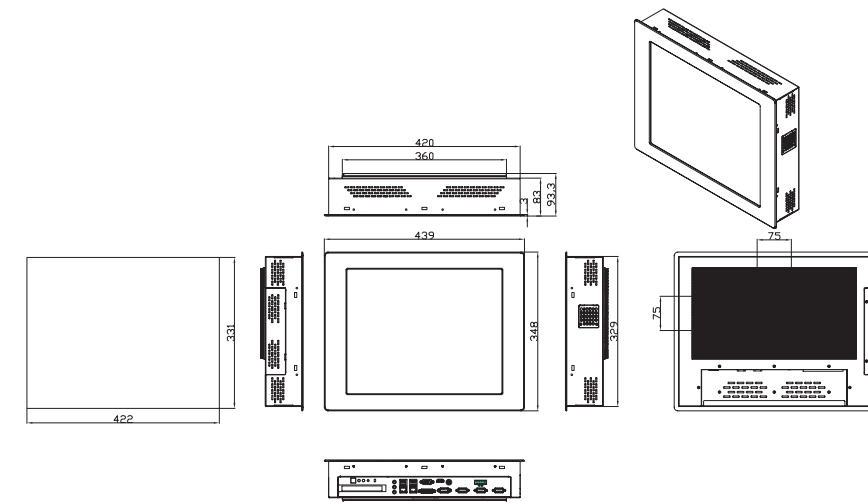
Dimensions

unit:mm

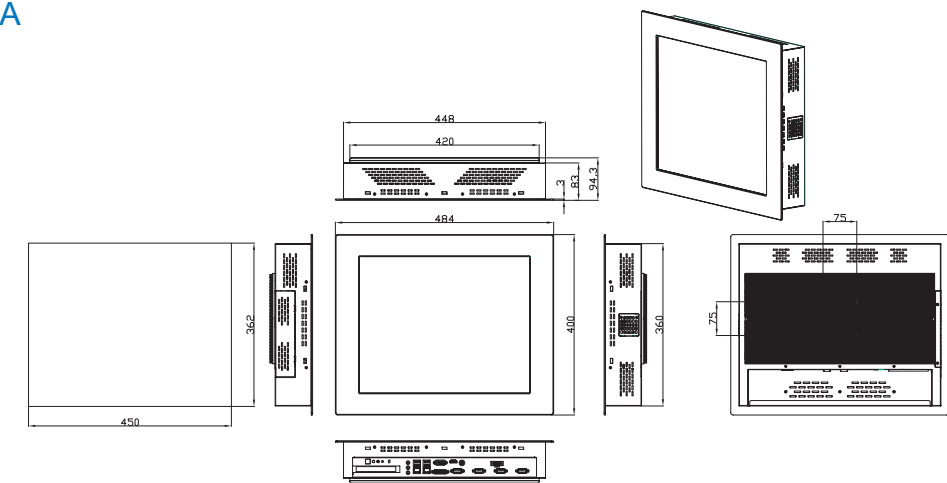
APC-3517A



APC-3717A



APC-3917A



APC-3X85 Series

Low power consumption 5 side IP 65 steel industrial panel PC



Features



Slim, Fanless Design



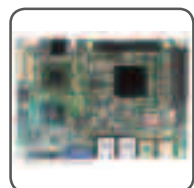
Wide Range DC 11~32V Power Input



IP 65 Except I/O Side



Cost Effective



All Solid Capacitor Motherboard

APC-3X85 Series

APC-3285/APC-3585/APC-3785/APC-3985

External I/O Port



APC-3285

APC-3285

- 4 x USB ports
- 2 x RJ-45 ports
- 1 x DB-9 RS-232 (COM 1)
- 1 x DB-15 VGA
- 1 x MIC, Line-in, Line-out
- 1 x 3-pin DC Power input terminal block connector



APC-3585



APC-3785



APC-3985

APC-3585/APC-3785/APC-3985

Standard I/O:

- 4 x USB 2.0 connector
- 2 x RJ-45 LAN connector
- 1 x DB-9 RS-232 (COM 1)
- 1 x DB-9, COM2 (RS-232/422/485 selection, default RS-232)

- 1 x DB-15 VGA
- 1 x MIC, LINE-Out, LINE-in
- 1 x Power Switch (ATX)
- 1 x 3-pin DC Power input terminal block connector

APC-3X85 Series

Low power consumption 5 side IP 65 steel industrial panel PC

Specifications

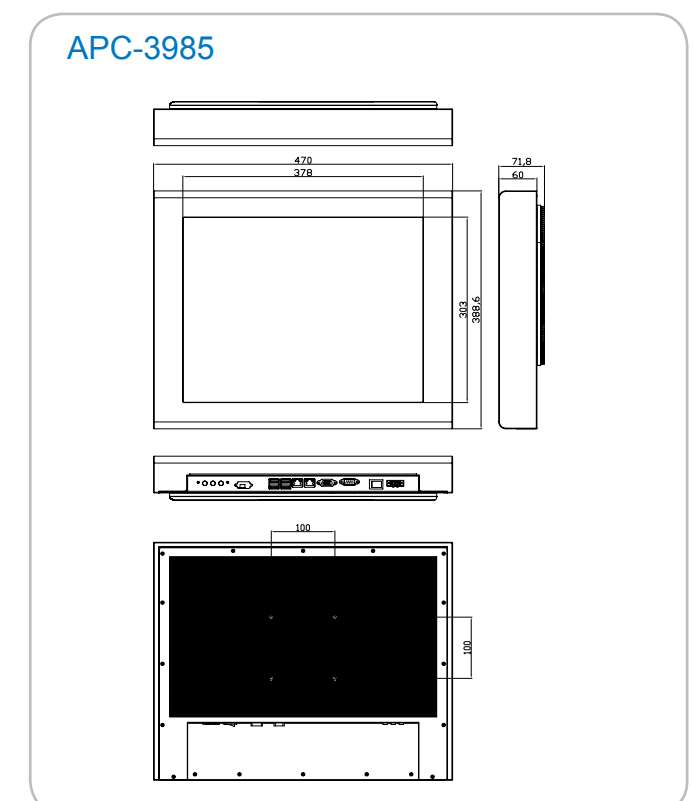
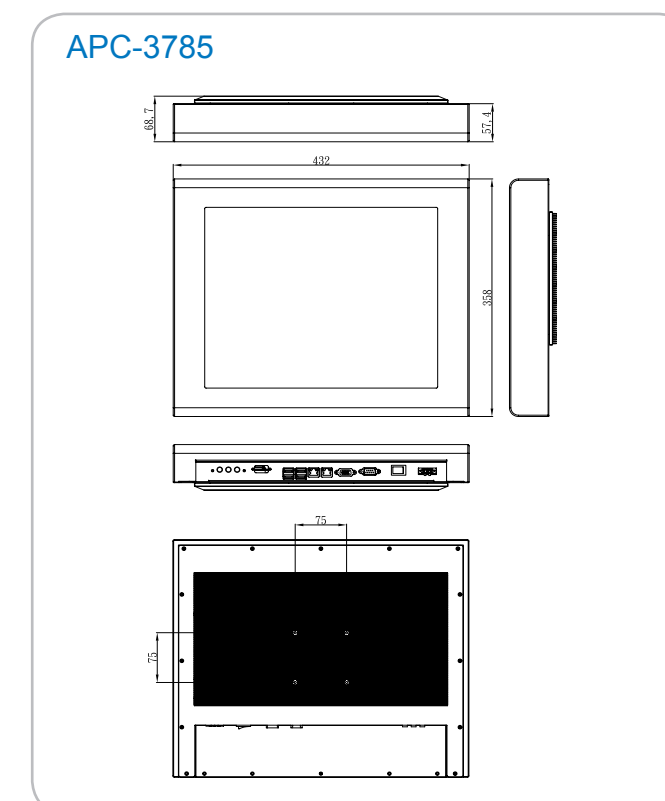
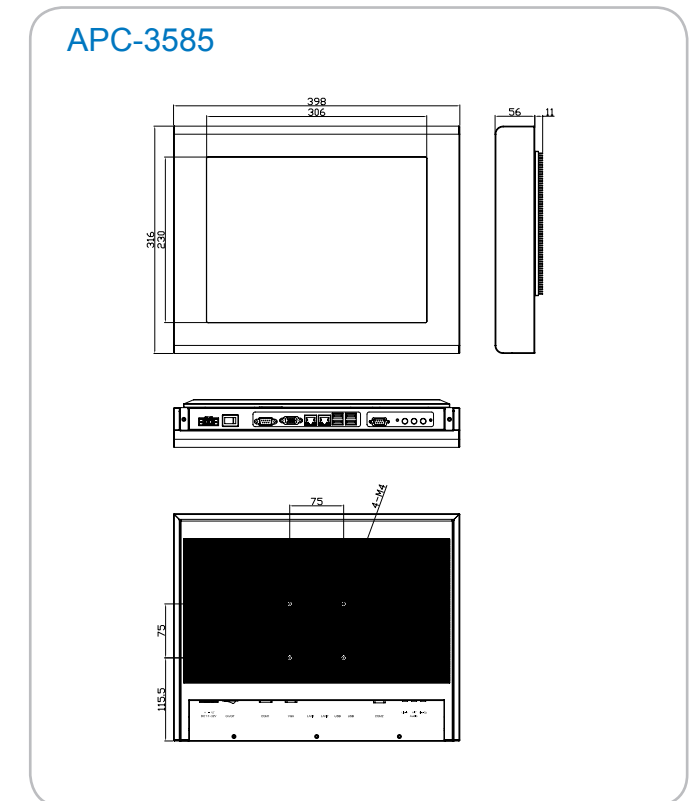
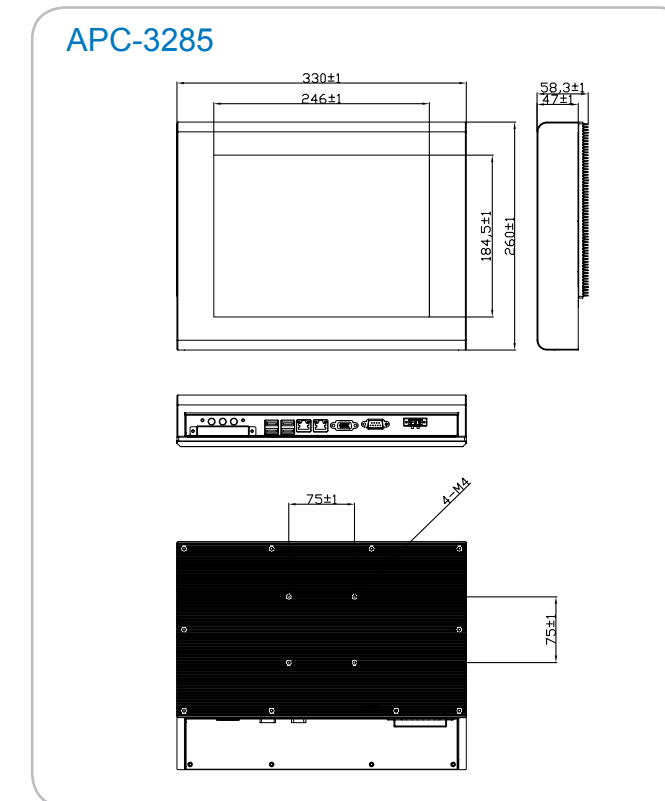
Model No.	APC-3285	APC-3585	APC-3785	APC-3985
System				
Processor	Intel Atom N270 1.6 GHz processor, FSB 533 MHz			
System Memory	1 x 200-pin DDR2 533 MHz SO-DIMM slot up to 2 GB			
System Chipset	Intel 945GSE + Intel ICH7M			
External I/O Port	<ul style="list-style-type: none"> • 4 x USB ports • 2 x RJ-45 ports • 1 x DB-9 RS-232 (COM 1) • 1 x DB-15 VGA • 1 x MIC, Line-in, Line-out • 1 x 3-pin DC Power input terminal block connector 	Standard I/O: <ul style="list-style-type: none"> • 4 x USB 2.0 connector • 2 x RJ-45 LAN connector • 1 x DB-9 RS-232 (COM 1) • 1 x DB-9, COM2 (RS-232/422/485 selection, default RS-232) • 1 x DB-15 VGA • 1 x MIC, LINE-Out, LINE-in • 1 x Power Switch (ATX) • 1 x 3-pin DC Power input terminal block connector 	Standard I/O: <ul style="list-style-type: none"> • 4 x USB 2.0 connector • 2 x RJ-45 LAN connector • 1 x DB-9 RS-232 (COM 1) • 1 x DB-9, COM2 • 1 x DB-15 VGA • 1 x MIC, LINE-Out, LINE-in • 1 x Power Switch (ATX) • 1 x 3-pin DC Power input terminal block connector 	Standard I/O: <ul style="list-style-type: none"> • 4 x USB 2.0 connector • 2 x RJ-45 LAN connector • 1 x DB-9 RS-232 (COM 1) • 1 x DB-9, COM2 • 1 x DB-15 VGA • 1 x MIC, LINE-Out, LINE-in • 1 x Power Switch (ATX) • 1 x 3-pin DC Power input terminal block connector
Solid Storage Disk	<ul style="list-style-type: none"> • 1 x 2.5" SATA HDD • 1 x CF Slot (internal) 			
Expansion Slots	None			
OS Support	Windows XP Pro, XP Embedded			
LCD				
Display Type	12.1" TFT-LCD	15" TFT-LCD	17" TFT-LCD	19" TFT-LCD
Max. Resolution	800x600	1024x768	1280x1024	1280x1024
Max. Color	262K	262K	16.7M	262K
Luminance (cd/m ²)	350	350	300	300
View Angle	H:140° / V:110°	H:120° / V:100°	H:170° / V:160°	H:160° / V:160°
Backlight Lifetime	50,000 hrs			
Touch Screen				
Type	Resistive (optional)			
Light Transmission	80%			
Power Supply				
Power Input	DC 11~32V			
Mechanical				
Construction	Steel front bezel and aluminum extrusion back cover			
IP Rating	IP 65			
Mounting	VESA 75 x 75 Mount	VESA 75 x 75 Mount	VESA 75 x 75 Mount	VESA 100 x 100 Mount
Dimension	330(W)x260(H)x58.3(D) mm	398(W)x316(H)x56(D) mm	432(W)x358(H)x68.7(D) mm	470(W)x388.6(H)x71.8(D) mm
Net Weight	5kgs	6.9kgs	9kgs	10.5kgs
Environmental				
Operating Temperature	0~50 °C			
Storage Temperature	-20~60 °C			
Storage Humidity	10~90% @40 °C non-condensing			
Certificate	CE/FCC Class A			

APC-3X85 Series

APC-3285/APC-3585/APC-3785/APC-3985

Dimensions

unit:mm



APC-3228

Steel industrial panel PC



Features



Full HD Panel PC



LED Backlight LCD



PCI or PCIe x1 Slot Expansion



AC Power Input and Wide Range DC Power Input for Option



HDMI Output

APC-3228

APC-3228

External I/O Port



Panel PC

APC-3228

Standard I/O:

- Audio, Line-in, Line-Out, MIC-in
- 2 x RJ-45 LAN connector (Intel 82567LM LAN + 82574L GbE LANs)
- 4 x USB 2.0 Ports
- 1 x DB-15 VGA port
- 1 x DVI-D port
- 1 x HDMI Port
- 1 x COM1 (RS-232)
- 1 x PS2 Keyboard/Mouse
- 1 x ATX Power on/off Switch

Option:

- 2 x COM 2/3 (DB-9) by cables
- 1 x DB-9 Port for (4 x DI / 4 x DO) by cable

APC-3228

Steel industrial panel PC

Specifications

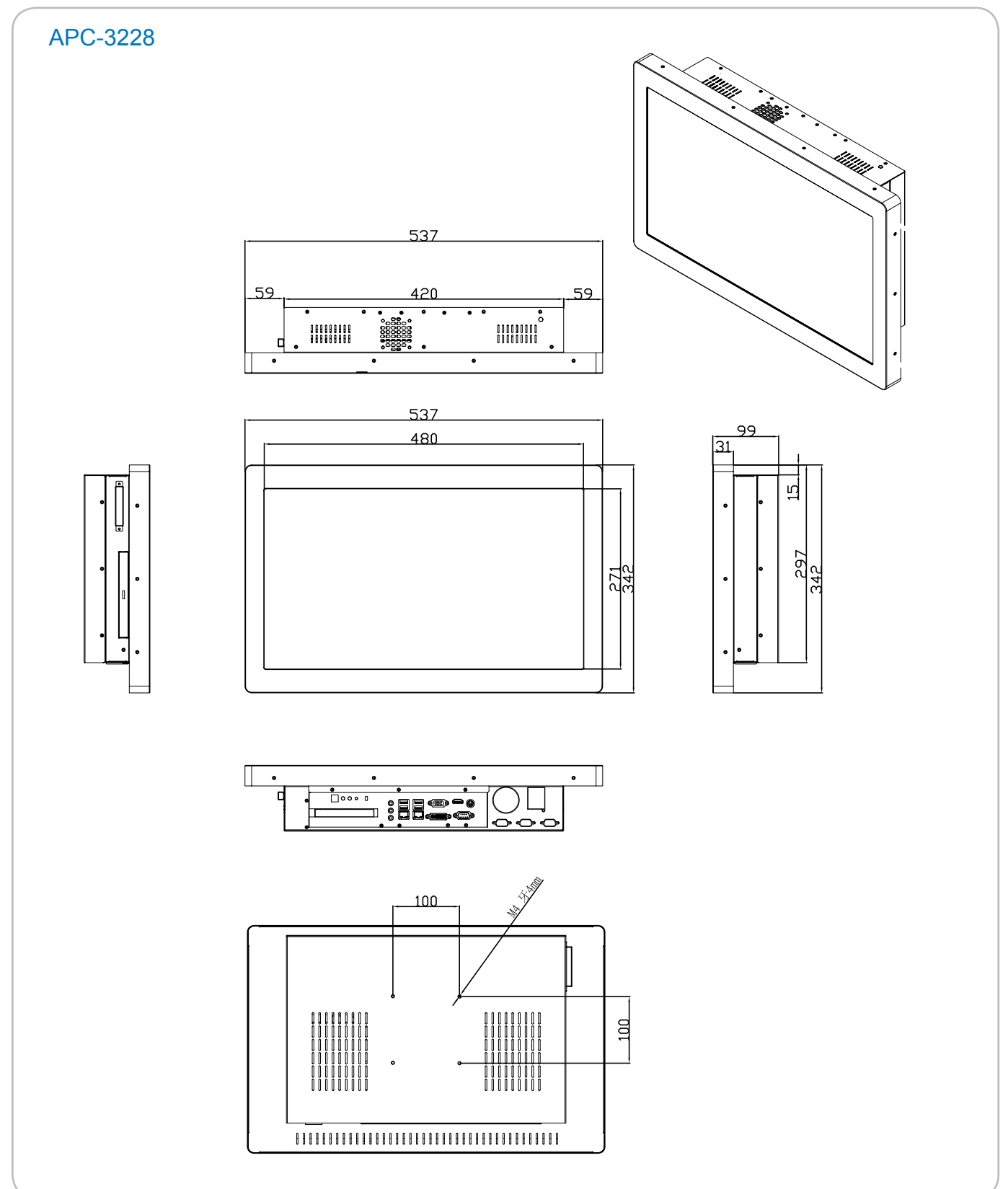
Model No.	APC-3228
System	
Processor	Intel Socket P Core 2 Duo processors, FSB 1066/800/667 MHz, up to Intel P8400 processor
System Memory	2 x 200-pin SO-DIMM socket, support 800 MHz up to 4 GB DDR2 SDRAM
System Chipset	Intel GM45 + Intel ICH9M-E
External I/O Port	<p>Standard I/O:</p> <ul style="list-style-type: none"> • Audio, Line-in, Line-Out, MIC-in • 2 x RJ-45 LAN connector (Intel 82567LM LAN + 82574L GbE LANs) • 4 x USB 2.0 Ports • 1 x DB-15 VGA port • 1 x DVI-D port • 1 x HDMI Port • 1 x COM1 (RS-232) • 1 x PS2 Keyboard/Mouse • 1 x ATX Power on/off Switch <p>Option:</p> <ul style="list-style-type: none"> • 2 x COM 2/3 (DB-9) by cables • 1 x DB-9 Port for (4 x DI / 4 x DO) by cable
Solid Storage Disk	<ul style="list-style-type: none"> • 1 x CF slot (external) • 1 x 2.5" SATA HDD • 1 x SATA Combo device bay
Expansion Slots	<ul style="list-style-type: none"> • 1 x PCI Slot (External) • 1 x Mini-PCIe slot (Internal)
OS Support	Windows XP, XP Professional, XP Embedded
LCD	
Display Type	21.5" TFT-LCD
Max. Resolution	1920x1080
Max. Color	16.7M
Luminance (cd/m²)	250
View Angle	H:170° / V:160°
Backlight Lifetime	50,000 hrs
Touch Screen	
Type	Analog resistive (optional)
Light Transmission	80%
Power Supply	
Power Input	AC115/230V
Mechanical	
Construction	Metal front panel and housing
IP Rating	<ul style="list-style-type: none"> • Front Panel IP 65 • Rear Side IP 30
Mounting	VESA 100 x 100 Mount
Dimension	537(W)x342(H)x99(D) mm
Net Weight	14.8kgs
Environmental	
Operating Temperature	0~50 °C
Storage Temperature	-20~60 °C
Storage Humidity	10~90% @40 °C non-condensing
Certificate	CE/FCC Class A

APC-3228

APC-3228

Dimensions

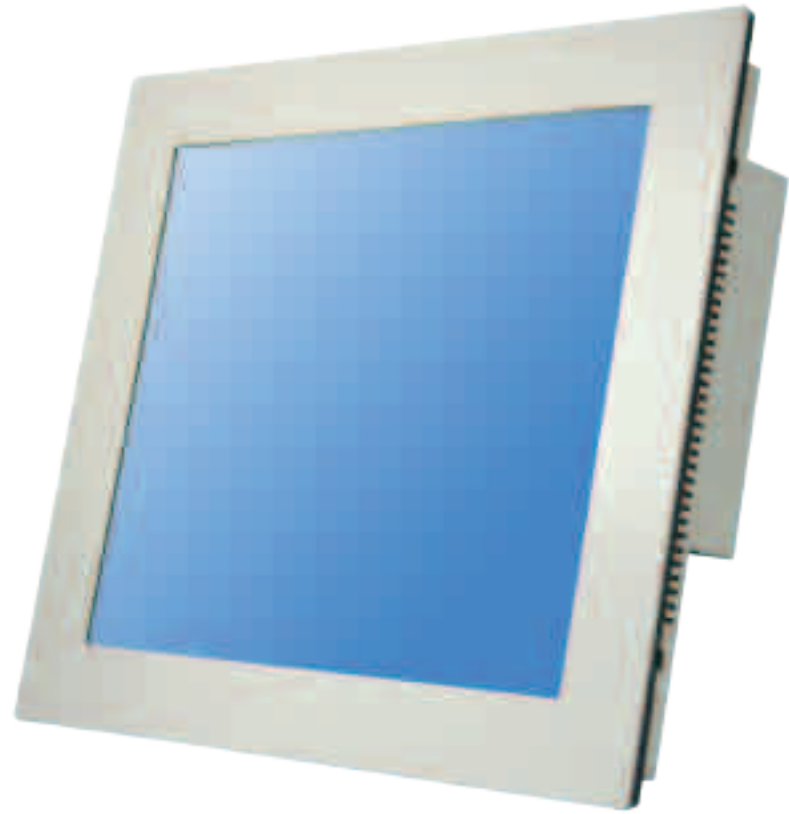
unit:mm



Panel PC

APC-3X15 Series

Steel industrial panel PC



Features



Supports Intel Core 2 Duo Processor



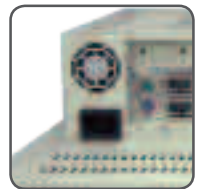
External Slim CD/DVD Device for Option



Two PCI Slot Expansion



Front Panel IP 65



AC Power Input and Wide Range DC Input for Option

APC-3X15 Series

APC-3215/APC-3515/APC-3715/APC-3915

External I/O Port



APC-3215/APC-3515/APC-3715/APC-3915

- 3 x COM
- 1 x VGA
- 2 x LAN GbE
- 4 x USB
- 1 x PS2 Keyboard
- 1 x PS2 Mouse
- 1 x Audio

APC-3X15 Series

Steel industrial panel PC

Specifications

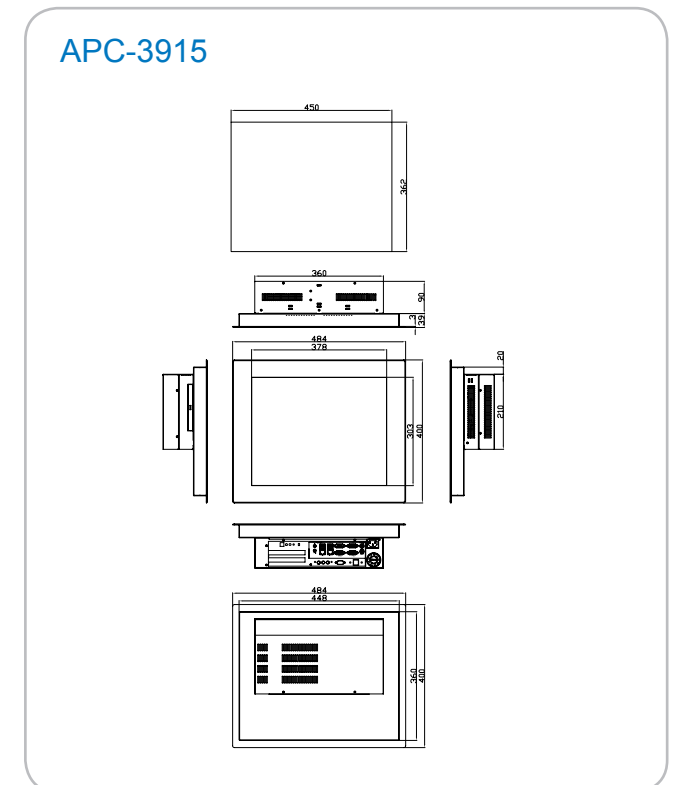
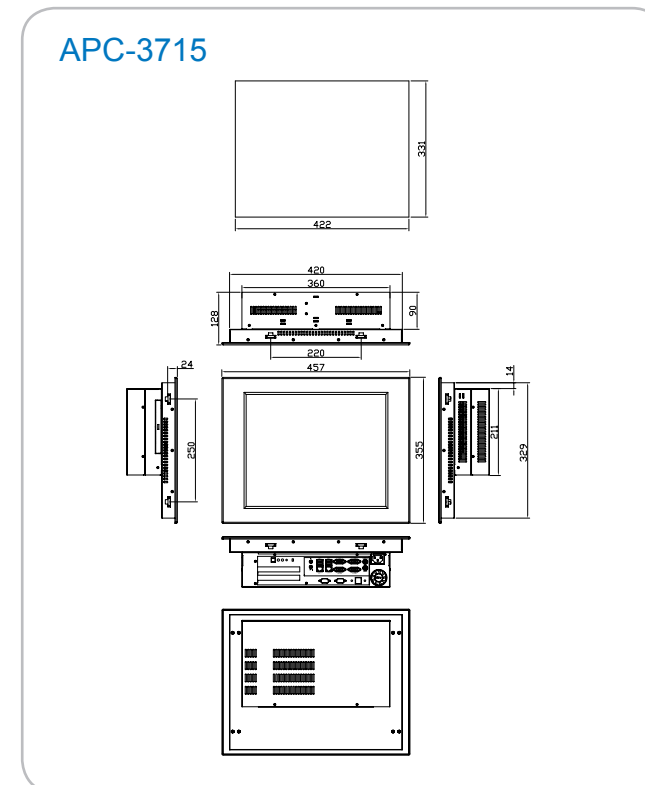
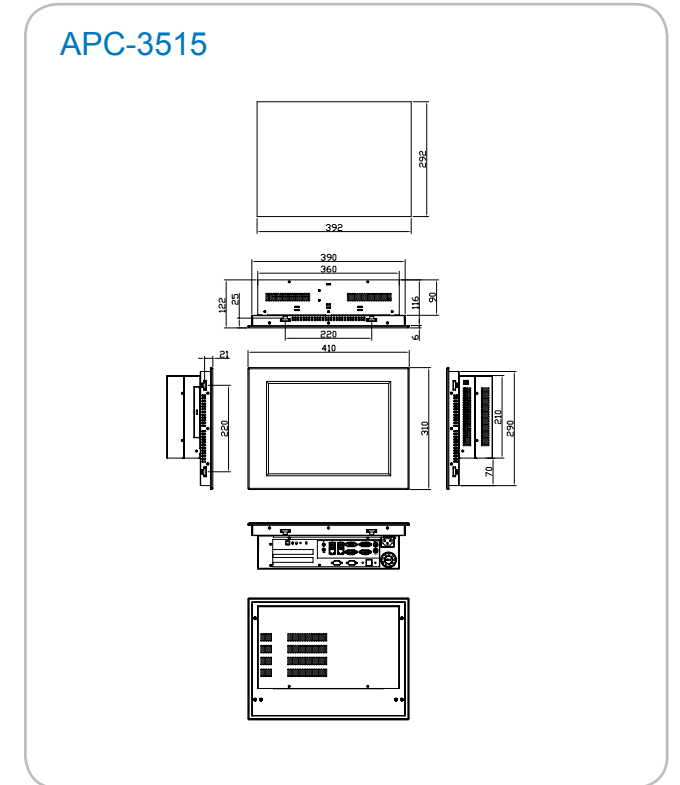
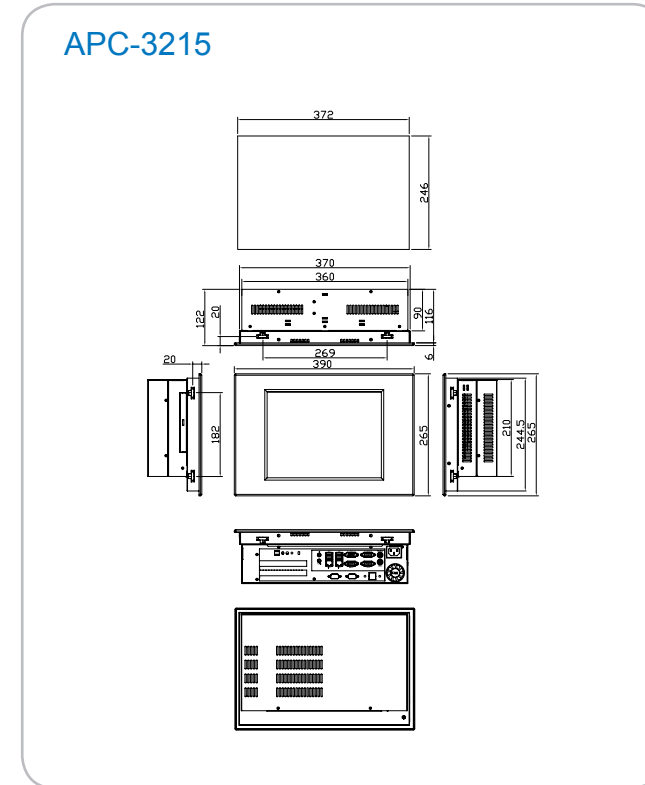
Model No.	APC-3215	APC-3515	APC-3715	APC-3915
System				
Processor	Intel Socket P Core 2 Duo processor with 533/667/800 MHz FSB, up to Intel P8400			
System Memory	2 x 240-PIN Dual channel DDR2 533/667 MHz up to 4 GB			
External I/O Port	<ul style="list-style-type: none"> • 3 x COM • 1 x VGA • 2 x LAN GbE • 4 x USB • 1 x PS2 Keyboard • 1 x PS2 Mouse • 1 x Audio 			
Solid Storage Disk	• 1 x 2.5 HDD space			
Expansion Slots	<ul style="list-style-type: none"> • 2 x PCI expansion slots • 1 x 2.5" HDD space and slim CD-ROM/DVD Combo space 			
OS Support	Windows XP/ XP Embedded			
LCD				
Display Type	12.1" TFT-LCD	15" TFT-LCD	17" TFT-LCD	19" TFT-LCD
Max. Resolution	800x600	1024x768	1280x1024	1280X1024
Max. Color	262K	262K	16.7M	16.7M
Luminance (cd/m ²)	300	450	300	300
View Angle	H:110° / V:85°	H:140° / V:125°	H:140° / V:130°	H:160° / V:160°
Backlight Lifetime	50,000 hrs			
Touch Screen				
Type	Resistive (optional)			
Light Transmission	None			
Power Supply				
Power Input	220W/0.8U ATX			
Mechanical				
Construction	Steel front panel and housing			
IP Rating	Front Panel IP 65			
Dimension	390(W)x265(H)x122(D) mm	410(W)x310(H)x122(D) mm	457(W)x355(H)x128(D) mm	484(W)x400(H)x129(D) mm
Net Weight	8.6kgs	10.2kgs	11.9kgs	13.6kgs
Environmental				
Operating Temperature	0~50 °C			
Storage Temperature	-20~60 °C			
Storage Humidity	10~90% @40 °C non-condensing			
Certificate	CE/FCC Class A			

APC-3X15 Series

APC-3215/APC-3515/APC-3715/APC-3915

Dimensions

unit:mm



APC-3X14 Series

Low power consumption steel industrial panel PC



Features



Eco-friendly, Low Power Consumption



Front Panel IP 65



PCI Slot for Expansion



VESA and Panel Mounting



Wide Range DC 12~32V Power Input

APC-3X14 Series

APC-3514/APC-3714/APC-3914

External I/O Port



APC-3514/APC-3714/APC-3914

- 4 x USB 2.0 connector
- 2 x RJ-45 LAN connector (GbE)
- 2 x DB-9 RS-232 (COM 1/2)
- 1 x DB-15 VGA Port
- 1 x PS2 Keyboard
- 1 x PS2 Mouse
- 1 x MIC, 1 x Line-out, Line-in
- 1 x 3-pin DC Power input terminal block

APC-3X14 Series

Low power consumption steel industrial panel PC

Specifications

Model No.	APC-3514	APC-3714	APC-3914
System			
Processor	Intel Atom N270 1.6 GHz processor with FSB 533 MHz		
System Memory	1 x 200-pin DDR2 533 MHz SO-DIMM slot, up to 2 GB		
System Chipset	Intel 945GSE + Intel ICH7M		
External I/O Port	<ul style="list-style-type: none"> • 4 x USB 2.0 connector • 2 x RJ-45 LAN connector (GbE) • 2 x DB-9 RS-232 (COM 1/2) • 1 x DB-15 VGA Port • 1 x PS2 Keyboard • 1 x PS2 Mouse • 1 x MIC, 1x LINE-Out, LINE-in • 1 x 3-pin DC Power input terminal block 		
Solid Storage Disk	<ul style="list-style-type: none"> • 1 x 2.5" SATA HDD • 1 x CF Slot (internal) 		
Expansion Slots	1 x 32-bit PCI slot		
OS Support	Windows XP, Windows XP Pro, XP Embedded, Windows Embedded Standard 7		
LCD			
Display Type	15" TFT-LCD	17" TFT-LCD	19" TFT-LCD
Max. Resolution	1024x768	1280x1024	1280x1024
Max. Color	16.7M		
Luminance (cd/m ²)	300	350	350
View Angle	H:150° / V:140°	H:170° / V:160°	H:170° / V:160°
Backlight Lifetime	50,000 hrs		
Touch Screen			
Type	Resistive (optional)		
Light Transmission	80%		
Power Supply			
Power Input	DC 11-32V		
Mechanical			
Construction	Heavy-duty steel chassis		
IP Rating	Front Panel IP 65		
Mounting	Panel / VESA 75x75 Mount		
Dimension	410(W)x310(H)x90.8(D) mm	439(W)x348(H)x94.3(D) mm	484(W)x400(H)x94.3(D) mm
Net Weight	8.5kgs	11.5kgs	12kgs
Environmental			
Operating Temperature	0~50 °C		
Storage Temperature	-20~60 °C		
Storage Humidity	10~90% @40 °C non-condensing		
Certificate	CE/FCC Class A		

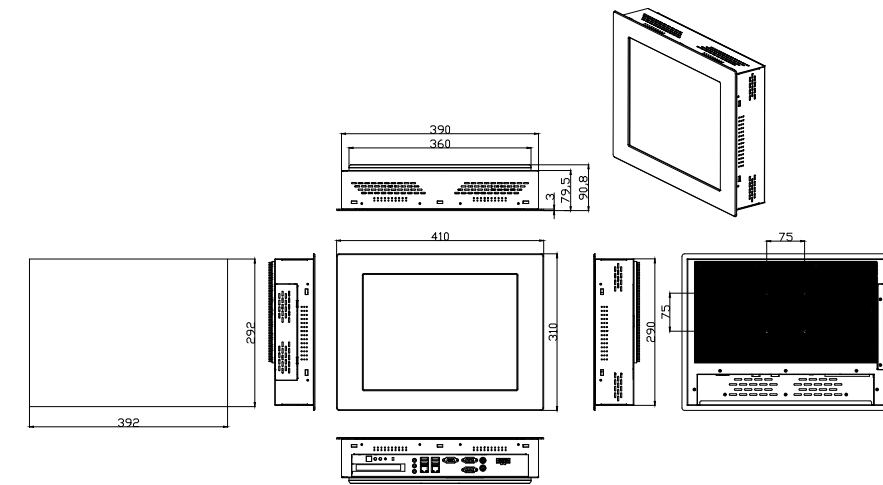
APC-3X14 Series

APC-3514/APC-3714/APC-3914

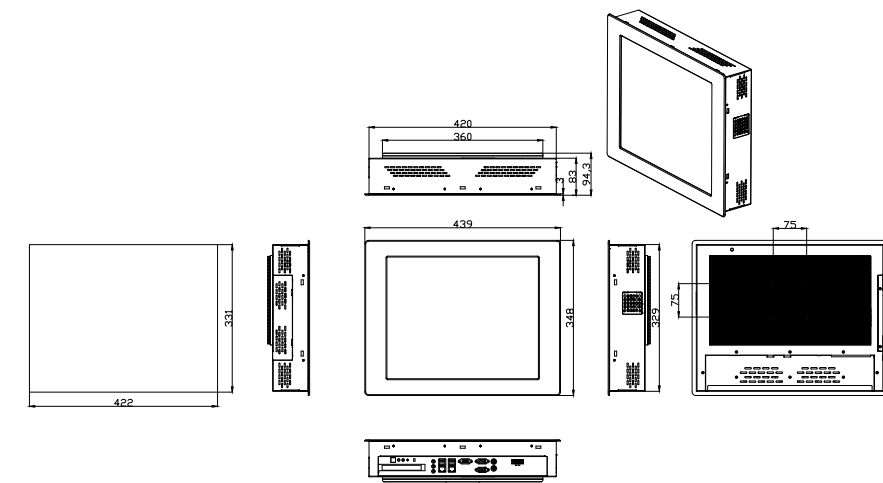
Dimensions

unit:mm

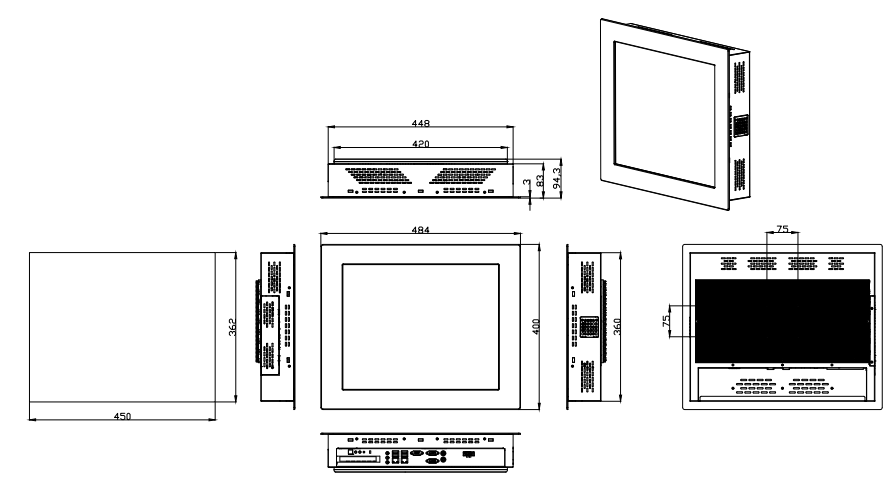
APC-3514



APC-3714



APC-3914



APC-3X64 Series

Low power consumption steel industrial panel PC



Features



2 PCI Slots for Expansion



Front Panel IP 65



External Slim CD/DVD Drive for Option



Cost Effective



Wide Range DC 11~32V Power Input

APC-3X64 Series

APC-3264/APC-3564/APC-3764

External I/O Port



APC-3264

Standard I/O:

- 4 x USB ports
- 2 x RJ-45 ports
- 2 x COM ports
- 1 x PS/2 Keyboard

- 1 x PS/2 Mouse
- 1 x VGA port
- 1 x DVI-I Port
- 1 x Audio MIC, Line-in, Line-out

Optional:

- 2 x DB-9 RS-232 (COM3/4)



APC-3564/APC-3764

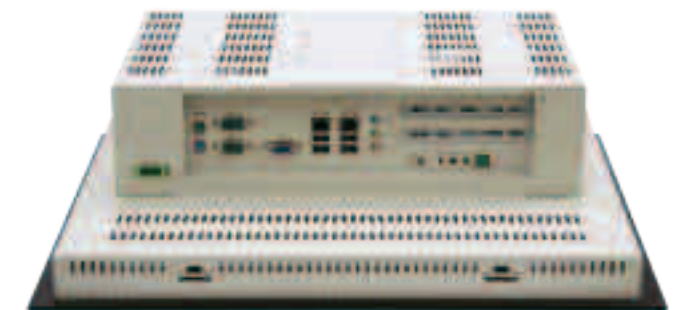
Standard I/O:

- 4 x USB ports
- 2 x RJ-45 ports
- 2 x COM ports
- 1 x PS/2 Keyboard

- 1 x PS/2 Mouse
- 1 x VGA port
- 1 x Audio MIC, Line-in, Line-out

Optional:

- 2 x DB-9 RS-232 (COM3/4)



APC-3X64 Series

Low power consumption steel industrial panel PC

Specifications

Model No.	APC-3264	APC-3564	APC-3764
System			
Processor	Intel Atom N270 1.6 GHz processor with FSB 533 MHz		
System Memory	1 x 200-pin DDR2 533 MHz SO-DIMM slot, up to 2 GB		
System Chipset	Intel 945GSE+ICH7M		
External I/O Port	Standard I/O: • 4 x USB ports • 2 x RJ-45 ports • 2 x COM ports • 1 x PS/2 Keyboard • 1 x PS/2 Mouse • 1 x VGA port • 1 x DVI-I Port • 1 x Audio MIC, Line-in, Line-out Optional: • 2 x DB-9 RS-232 (COM3/4)	Standard I/O: • 4 x USB ports • 2 x RJ-45 ports • 2 x COM ports • 1 x PS/2 Keyboard • 1 x PS/2 Mouse • 1 x VGA port • 1 x Audio MIC, Line-in, Line-out Optional: • 2 x DB-9 RS-232 (COM3/4)	Standard I/O: • 4 x USB ports • 2 x RJ-45 ports • 2 x COM ports • 1 x PS/2 Keyboard • 1 x PS/2 Mouse • 1 x VGA port • 1 x Audio MIC, Line-in, Line-out Optional: • 2 x DB-9 RS-232 (COM3/4)
Solid Storage Disk		• 1 x 2.5" SATA HDD • 1 x slim CD-ROM/ DVD Combo (optional) • 1 x CF slot (internal)	
Expansion Slots		• 2 x PCI slots • 1 x Mini PCIe slot for Wireless LAN module	
OS Support	Windows XP Pro, XP Embedded		
LCD			
Display Type	12.1" TFT-LCD	15" TFT-LCD	17" TFT-LCD
Max. Resolution	800x600	1024x768	1280x1024
Max. Color	262K	16.7M	16.7M
Luminance (cd/m²)	350	300	350
View Angle	H:140° / V:110°	H:150° / V:140°	H:170° / V:160°
Backlight Lifetime	50,000 hrs		
Touch Screen			
Type	Resistive (optional)		
Light Transmission	80%		
Power Supply			
Power Input	DC 11~32V		
Mechanical			
Construction	Heavy-duty steel chassis		
IP Rating	Front Panel IP 65		
Mounting	Panel / VESA 75x75 Mount		
Dimension	390(W)x265(H)x106(D) mm	409(W)x309(H)x123(D) mm	457(W)x355(H)x129(D) mm
Net Weight	6kgs	10.27kgs	12.27kgs
Environmental			
Operating Temperature	0~50 °C		
Storage Temperature	-20~60 °C		
Storage Humidity	10~90% @40 °C non-condensing		
Certificate	CE/FCC Class A		

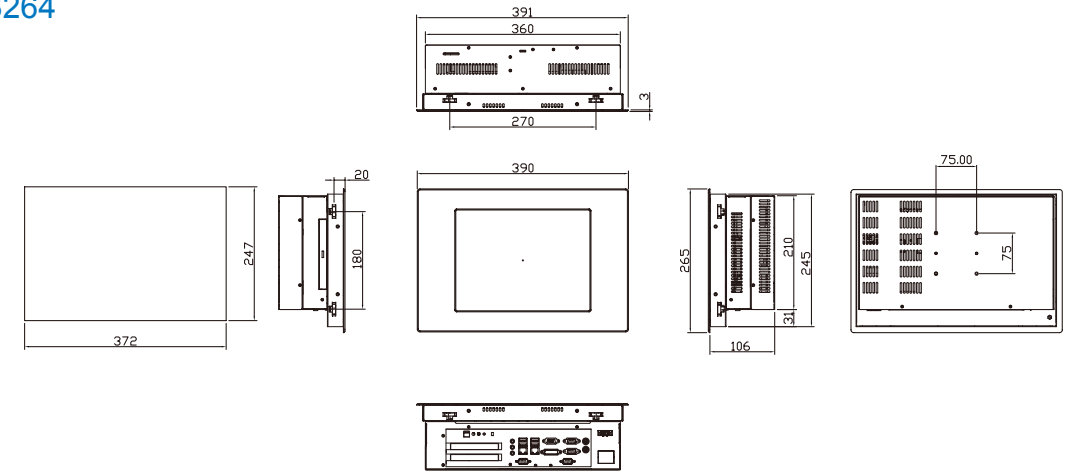
APC-3X64 Series

APC-3264/APC-3564/APC-3764

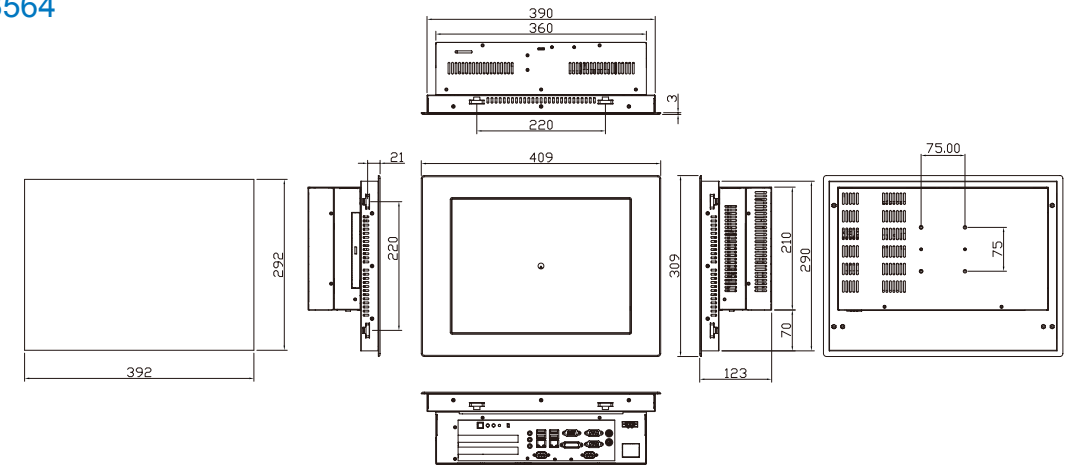
Dimensions

unit:mm

APC-3264



APC-3564



APC-3764

